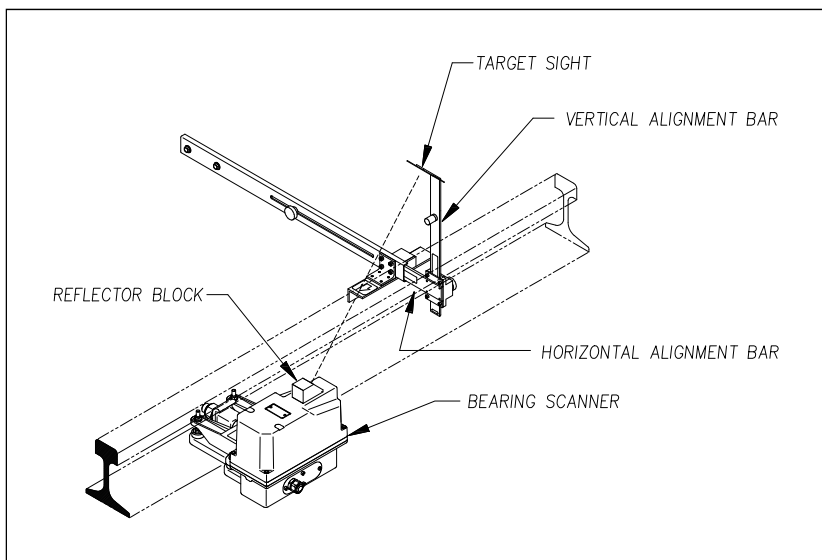


### Description:

The 2066-200 Optical Alignment Accessory is the optical system of the 2066-000 Scanner Alignment Fixture. The optical system consists of a reflector block (mirror and mirror holder) and a target sight (sight bracket) which are used to ensure that bearing scanners are aimed at the proper point above the rail. The reflector block and target sight are shown below as they are used in the field for aligning a bearing scanner.



### General Specifications

Dimensions	18.25"L x 3.00"W x 3.00"H
Weight	1.15 lbs.