

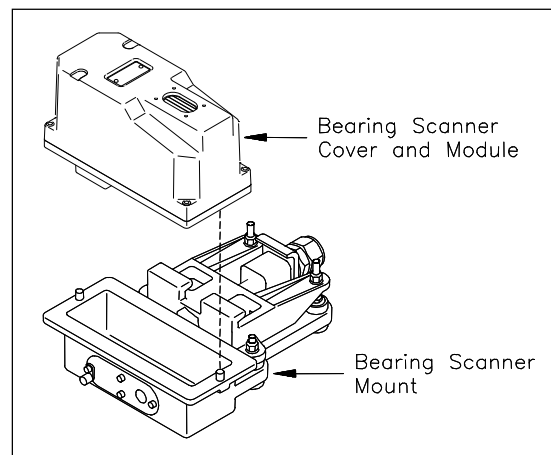


### Description:

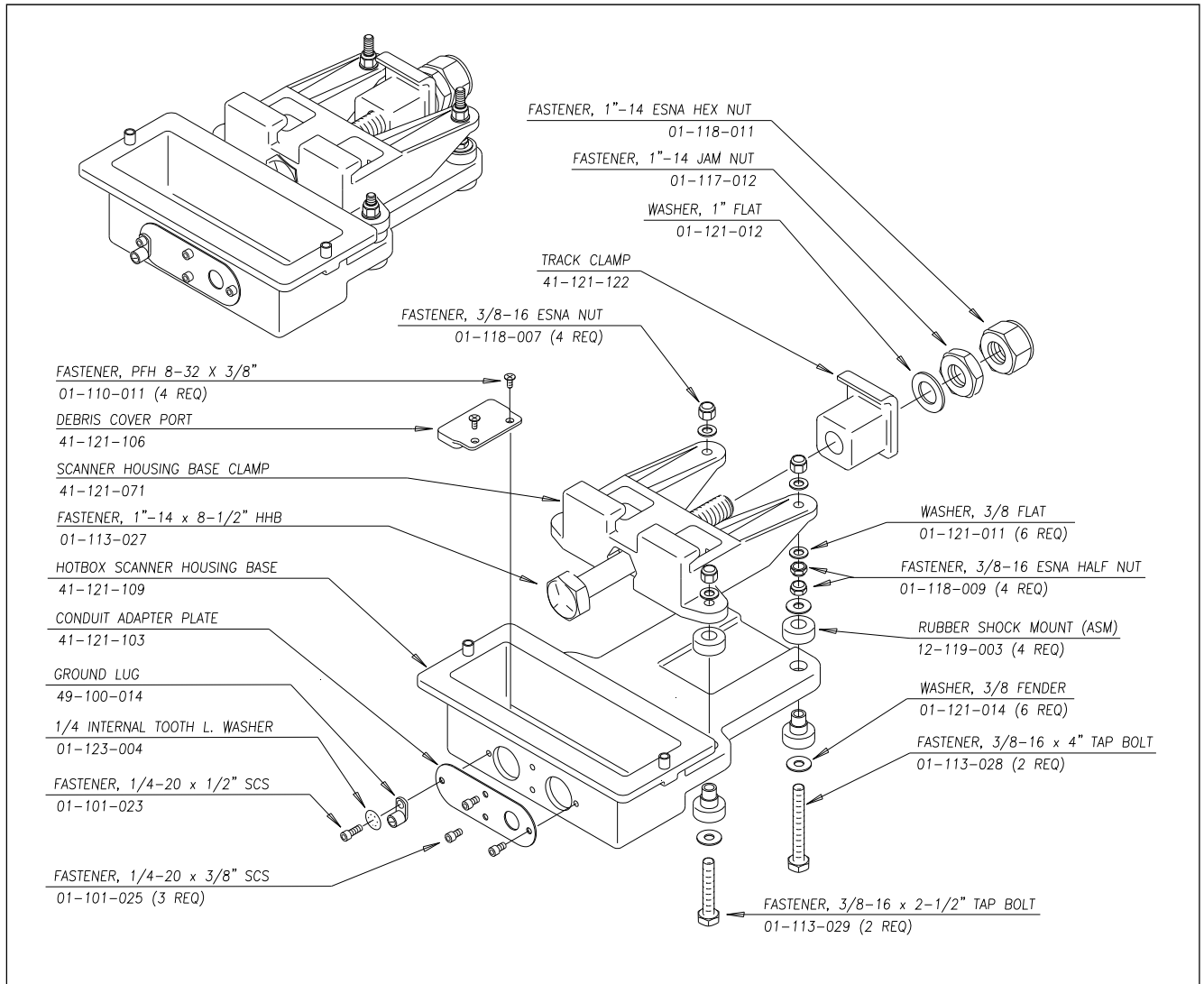
The 2100-501 Bearing Scanner Mount is compatible with Type II and Type III Scanners. It attaches to the rail in a way that ensures that the scanners are:

- Correctly aimed
- Easily re-aimed, if necessary
- Isolated from as much shock and vibration as possible
- Electrically isolated from the rail

The bearing scanner mount can be installed on either rail, eliminating the need to maintain left rail and right rail models. Though not interchangeable, the bearing scanner mount and wheel scanner mount contain many common parts, which mean that fewer spare parts need to be kept on hand.



## 2100-501 Bearing Scanner Mount – Exploded View



## General Specifications

Finish	Cast aluminum, powder coated
Dimensions	15.50"L x 12.00"W x 4.75"H
Weight	23.20 lbs