

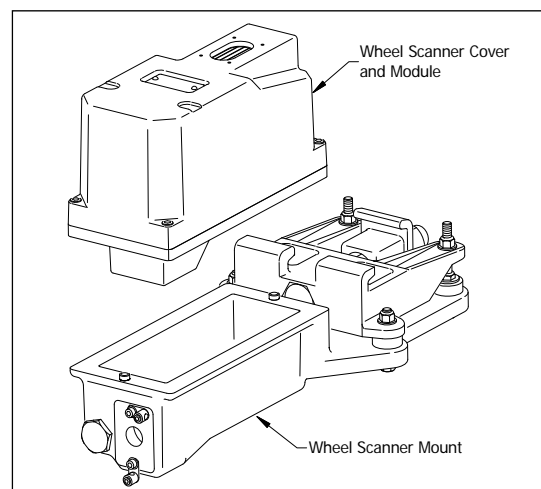


Description:

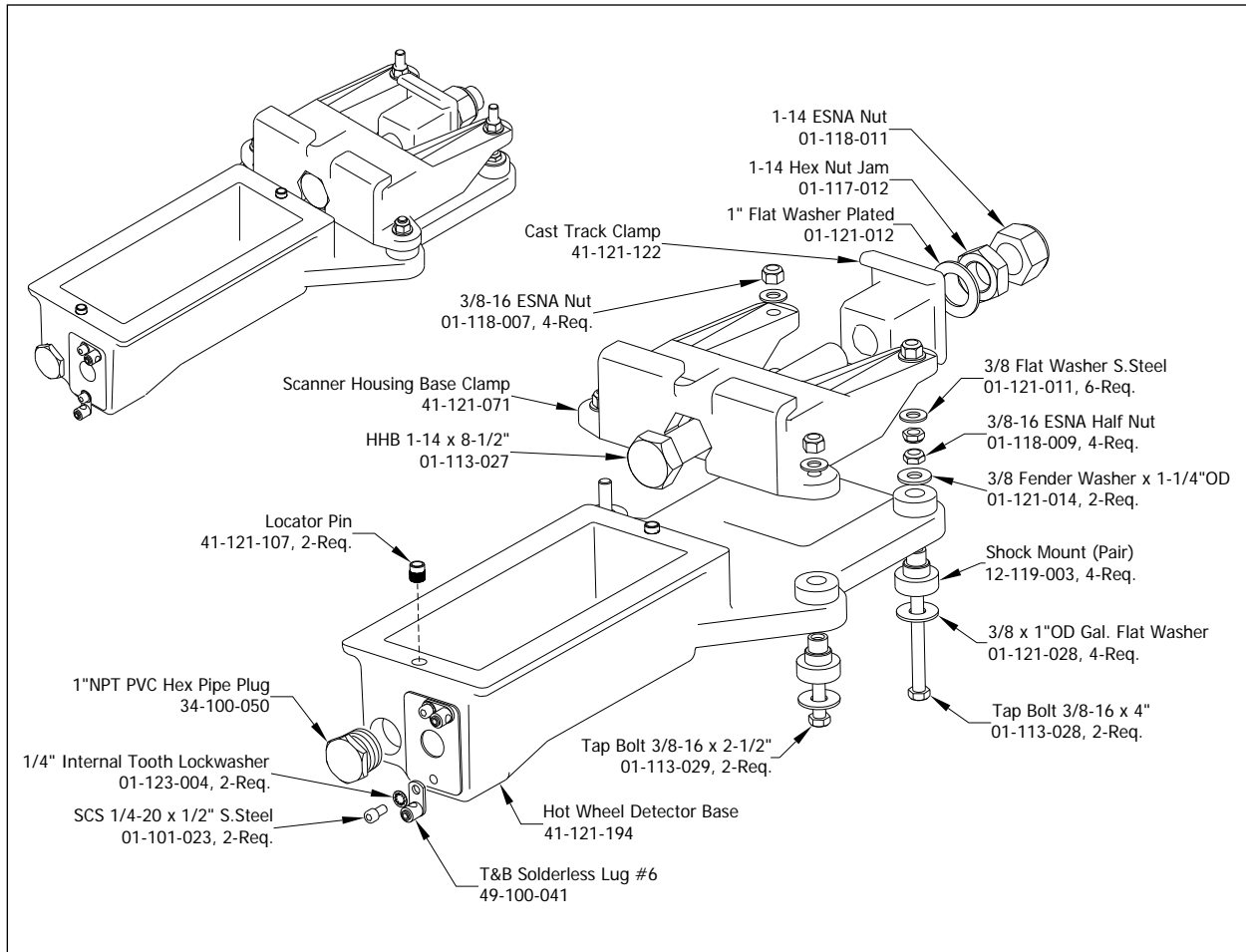
The 2500-401 Wheel Scanner Mount is compatible with Type III Scanners. It attaches to the rail in a way that ensures that the scanners are:

- Correctly aimed
- Easily re-aimed, if necessary
- Isolated from as much shock and vibration as possible
- Electrically isolated from the rail

The wheel scanner mount can be installed on either rail, eliminating the need to maintain left rail and right rail models. Though not interchangeable, the wheel scanner mount and bearing scanner mount contain many common parts, which mean that fewer spare parts need to be kept on hand.



2500-401 Wheel Scanner Mount – Exploded View



General Specifications

Finish	Cast aluminum alloy, powder coated
Dimensions	12.00"L x 5.50"W x 8.00"H
Weight	15.85 lbs