

EUD-2021062-00 Rev 1

SmartScanNG²

Operator's Guide

for Alaska Rail

03 March 2021

© 2021 Southern Technologies Corporation (STC). All rights reserved.
Printed in the USA.

Because products evolve and system configurations change, this manual may not be an exact representation of the products and systems that you are using.

Software Version at the time of this publication
ARR_01-01 2020-02-10

STC assumes no responsibility for errors or omissions in this document. Nor does STC make any commitment to update the information contained herein.

Product and company names mentioned herein are trademarks or registered trademarks of their respective owners.

WARNING!

Contact with electrically active parts could result in sparks, burns, and electric shock. Because of this, you should avoid all electrical hazards when installing, wiring, operating, and maintaining the SmartScanNG² system. Failure to do so could result in damage to the equipment or severe injury to you.

NOTICE:

If equipped with an AEI subsystem, the user is required to obtain a Part 90 site license from the FCC to operate in the United States. See product label for FCC ID number. Access the FCC Web site at www.fcc.gov/Forms/Form601/601.html for additional information concerning licensing requirements.

Users in all countries should check with the appropriate local authorities for licensing requirements.

Southern Technologies Corporation
6145 Preservation Drive
Chattanooga, TN 37416
www.southern-tech.com

email: stcemail@southern-tech.com

fax number: 423-499-0045

telephone number: 423-892-3029

Contents

This section lists the headings of this guide in sequential order with their page references.

1.0 Introduction	7
1.1 Purpose of This Guide	7
1.2 SmartScanNG ²	7
1.3 Cautions	8
1.4 Disclaimers	8
1.5 How to Comment on This Guide	9
1.6 How to Order More Copies of This Guide	9
1.7 Standard Warranty	9
2.0 Defect Detection	11
2.1 System Activation	11
2.2 System Deactivation	12
2.3 Speed Calculation	12
2.4 Train Direction	12
2.5 Transducer Pulse Processing	13
2.6 Axle Scanning	14
2.7 Hot Bearing Alarms	14
2.7.1 Bearing Scan Process	15
2.7.2 Referencing System	17
2.7.3 Pyrometer Linearity	17
2.8 Hotwheel Alarms	18
2.9 Auxiliary Alarms	19
3.0 Display Panel	21
3.1 LED Indicators	21
3.2 Keypad & Display	22
3.3 System Health Menu	23
3.4 System Functions	24
3.4.1 Radio Test	24
3.4.2 Auto-Calibration	25
3.4.3 Network Menu	25
3.4.4 Radio Menu	25
3.4.5 Volume Menu	26
4.0 Serial Interface	27
4.1 Main Menu	28
4.2 Setup Menu	30
4.2.1 Date and Time	32
4.2.2 Milepost/Kilometer Post (MP/KP)	34
4.2.3 Track Designation	35
4.2.4 Track Direction	36

4.2.5	Alarm Settings.....	36
4.2.6	Equipment Settings	43
4.2.7	Messages.....	53
4.2.8	AEI Reader Parameters	61
4.2.9	Load Default Setup Parameters	63
4.2.10	COM1, COM2, COM3, COM4, COM5, & COM6.....	65
4.2.11	Network Settings	66
4.2.12	Velocity and Multitech Settings.....	67
4.3	System Functions Menu.....	67
4.4	Replay EOT Announcement.....	79
4.5	System Security	80
4.6	Enter Pass-Through Mode (currently in development)	81
5.0	Web User Interface	83
5.1	Train Data.....	85
6.0	Producing Reports	103
6.1	Train Summary Report.....	105
6.2	Train Detail Report.....	108
6.3	Train Detail Report (Abbreviated).....	117
6.4	Exception Summary Report	120
6.5	Exception Detail Report	123
6.6	Abbreviated Exception Detail Report.....	133
6.7	Last Train Report	136
6.8	System Status Report	137
6.9	AEI Diagnostic Detail Report.....	143
6.10	Event Log Report.....	152
7.0	Radio Announcements.....	155
7.1	Arrival Messages	156
7.2	Real-Time Messages	157
7.3	Post-Train Messages	157
7.3.1	Nothing Detected	159
7.3.2	Only an Integrity Failure Detected	160
7.3.3	Only Exception Alarms Detected.....	161
7.3.4	Both Exception Alarms and an Integrity Failure Detected.....	165
8.0	Scheduled Maintenance.....	167
9.0	Customer Service	187
9.1	Reaching STC.....	187
9.2	Returning Equipment for Repair.....	187
9.3	Reporting Problems or Suggestions.....	188
9.4	Ordering Spare Parts	188
9.5	Checking on Shipments and Orders.....	188
Appendix A	System Alarms.....	189
A.1	Cold Rail Alarm.....	189
A.2	Cold Resistor Alarm.....	190
A.3	Cold Wheel Scanner Alarm.....	191
A.4	Cold Wheel Scanner Resistor Alarm.....	192

A.5	Highrange Transducer Miscounts Alarm	192
A.6	Integrity Failure Alarm	193
A.7	Low Battery Alarm.....	193
A.8	Midrange Transducer Miscounts Alarm	193
A.9	No Approach Track Alarm	193
A.10	Pyrometer Noise Filtered Rail Alarm	193
A.11	Pyrometer Noise Filtered Wheel Alarm	194
A.12	Reverse Direction Detected	194
A.13	Short Train Alarm	194
A.14	Stuck Dragger Recovered Alarm.....	194
A.15	Test Train Alarm.....	195
A.16	Very Slow Train Alarm	195
Appendix B Integrity Failures		197
B.1	Dead Battery Alarm.....	197
B.2	Dead Resistor Alarm	197
B.3	Dead Wheel Scanner Resistor Alarm	198
B.4	Highrange Transducer Miscounts Alarm	198
B.5	Stuck Dragger During Train Passage Alarm.....	199
B.6	Stuck Dragger Pretrain Alarm	199
B.7	Stuck High-Load Detector Pretrain Alarm.....	199
B.8	Stuck Wide-Load Detector Pretrain Alarm.....	199
B.9	Successive Cold Rails Exceeded Alarm.....	200
B.10	Successive Cold Resistors Exceeded Alarm	200
B.11	Successive Cold Wheels Exceeded Alarm.....	201
B.12	Successive Cold Wheel Resistors Exceeded Alarm	202
B.13	Train Present on Restart Alarm	202
Appendix C System Functions		203
C.1	Radio Test	204
C.2	Vocabulary Test.....	204
C.3	Radio Inhibit.....	205
C.4	Start Manual Train	205
C.5	1KHz Test Tone.....	205
C.6	Auto-Calibration	205
C.7	Remote System Reset.....	205
C.8	Delete All Stored Train Data	206
C.9	Clear Event Log	206
C.10	Update Menu	206
C.11	View maintenance statistics	207
C.12	Reset System Health	207
C.13	Maintenance email list	207
C.14	Volume up/Volume down	208
C.15	Web security settings.....	208
Appendix D Replacement of Type2 Scanners		209
D.1	Bearing Scanners	209

D.2 Wheel Scanners.....	211
Appendix E Replacement of Type3 Scanners.....	213
E.1 Bearing Scanners.....	213
E.2 Wheel Scanners.....	215
Appendix F Calibration of Type2 Scanners.....	217
F.1 Bearing Scanners.....	217
F.2 Wheel Scanners.....	220
Appendix G Calibration of Type3 Scanners.....	223
G.1 Bearing Scanners.....	223
G.2 Wheel Scanners.....	228
G.3 Heat Source: Power Cable Warning.....	232
Appendix H Lens Cleaning of Type3 Scanners.....	233
Appendix I Predictive Gate Scanning.....	235
I.1 Overview.....	235
I.2 Scanning Process.....	236
I.3 Reporting the Pyrometer Saturation Alarm.....	237
Appendix J 2500-402 Spacer Kit Installation.....	239
Appendix K Scanner Resistor Baseline Acquisition.....	241
K.1 Cover the Scanners.....	241
K.2 Bungalow Speaker Announcements.....	242
K.3 Processing Resistor Baseline Results.....	242
Appendix L 2500-536 Red Filter Frame - New Design.....	245
Appendix M Communications Ports.....	247
Appendix N 15A Breaker Upgrade in SmartScanNG Chassis (Pre-2012).....	249
Appendix O Scanner Base Drain Hole.....	251
Index.....	253

1.0 Introduction

This section summarizes the purpose of this guide, describes the SmartScanNG² system, tells how to comment on this guide, and tells how to order more copies of this guide. It also covers the cautions and disclaimers of which the customer should be aware of.

1.1 Purpose of This Guide

The technical staff at Southern Technologies Corporation (STC) created the SmartScanNG² system. This guide describes that system.

The SmartScanNG² system monitors moving trains and reports certain conditions detected on these trains. Parts of the system, like the bearing scanners, are installed on the tracks. Other parts of the system, like the controller module, are installed near the tracks. For Alaska Rail, most nontrackside components are factory-installed inside a wayside enclosure (aka bungalow). Therefore, the installation of these already installed components isn't covered in this guide.

The SmartScanNG² system is modular and firmware-driven. Hardware and firmware can be changed to meet the unique needs of a given railroad. Thus, some of the components that make up a SmartScanNG² system differ from railroad to railroad.

This guide is for those who purchase, install, maintain, troubleshoot, manage, or use the SmartScanNG² system as configured for Alaska Rail.

1.2 SmartScanNG²

The SmartScanNG² system is a full-featured detection and reporting system. It monitors moving trains, providing real-time detection of:

- Overheated bearings
- Overheated wheels, when wheel scanners are installed and enabled
- Dragging equipment, when dragging-equipment detectors are installed and enabled
- Shifted loads, when wide-load detectors are installed and enabled
- Oversized loads, when high-load detectors are installed and enabled
- Automatic Equipment Identification (AEI) tags, when AEI hardware and firmware are installed and enabled
- Direction of the train
- Exit speed of the train

The SmartScanNG² system runs well in the harsh environments found along right of ways. It runs under the most adverse weather conditions, functioning over a temperature range of -40°F to +160°F (-40°C to +71°C). It runs in high vibration situations. It runs unattended, carrying out all tasks without human intervention.

The SmartScanNG² system monitors trains traveling from 7 to 90 mph (11.3 to 145 kph). It monitors trains heading in either direction on the track.

When the SmartScanNG² system detects a defect, it informs the crew of the affected train via a voice transmission over an assigned radio channel. The voice is computer-generated from previously digitized human speech. It tells the crew the milepost of the reporting SmartScanNG² system, a warning that a defect has been detected, and other defect-related information. When no defect is detected, the voice tells the crew that the train was scanned and found free of defects.

There are three types of messages. Real-time messages are announced as the train is passing over the site. Post-train messages are announced after the train has left the site, and all the recorded train data has been processed by the SmartScanNG² system. When enabled, there are also arrival messages. Arrival messages are announced as the train enters the site. The content and use of these three message types are railroad-specific.

The results of train scans are also stored for later use. With this stored data, the system can create formatted reports. To get them at the site, you need a computer. With a modem and a computer, you can retrieve them remotely.

1.3 Cautions

Contact with electrically active parts could result in sparks, burns, and electric shock. Because of this, you should avoid all electrical hazards when installing, wiring, operating, and maintaining the SmartScanNG² system. Failure to do so could result in damage to the equipment or serious injury to you.

In operation, batteries generate and release flammable hydrogen gas, which, if ignited by a burning cigarette, naked flame, or spark, may cause battery explosion with a dispersion of casing fragments and corrosive liquid electrolyte. So, carefully follow the manufacturer's instructions. Keep all sources of gas ignition away from the batteries and do not allow metallic articles to contact the negative and positive terminals of a battery at the same time.

1.4 Disclaimers

The correct use of this guide, the environmental conditions at the time of installation, the method of the installation itself, and the installation of customer-supplied components are beyond the control of STC. So too are the correct use and maintenance of all or part of the SmartScan system. Therefore, the installer, user, and maintainer must assume the risk of any injury that might occur during installation, use, and maintenance of all or part of the SmartScan system. STC assumes no risk, liability, or responsibility for errors and omissions on the part of the installer, user, or maintainer.

1.5 How to Comment on This Guide

We want to hear from you. Tell us what you like or don't like about this guide. Send your comments to:

Southern Technologies Corporation
Technical Publications Department
6145 Preservation Drive
Chattanooga, Tennessee 37416-3638
USA

All comments become the sole property of STC and none will be returned.

1.6 How to Order More Copies of This Guide

When placing an order for more copies of this guide, refer to the order number shown on the cover of this guide. To request pricing and delivery, call 423-892-3029, fax 423-499-0045, or send email to email@southern-tech.com. Electronic copies of this guide are also available.

1.7 Standard Warranty

Systems manufactured by Southern Technologies Corporation carry a 14-month warranty from date of shipment. Warranty is limited to repair or replacement at the sole discretion of STC, of any goods found to be defective in either materials or workmanship during the 14-month period following shipment. Warranty does not apply to a product with signs of obvious abuse, or product that has been improperly installed.

STC warrants that goods represented by this warranty statement have been designed and manufactured with all reasonable care and attention to appropriate regulatory documents. STC makes no representation that the goods covered by this warranty are suitable for the application they are used for. Application of the goods is at the sole discretion of the purchaser.

Purchaser is responsible for shipment of the defective product to STC. STC will pay the return shipping charges.

Products purchased from others but included in STC systems carry the original manufacturer's warranty, typically 12 months. Warranty claims for these products must be made directly to the original equipment manufacturer.

2.0 Defect Detection

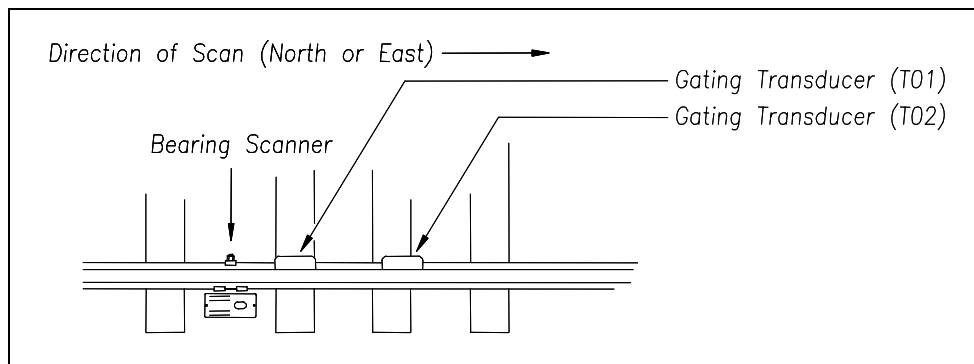
This section describes the Exception Alarms (aka defect alarms, aka train alarms) and how they are detected. Also covered are miscellaneous train scanning features.

2.1 System Activation

System activation is the process used to detect train presence and to prepare for train scanning. It is during the scanning process that the system checks for defects.

The SmartScanNG² system is equipped with one of two primary means of train arrival detection, which are the track circuit or advance-transducers. In case of a failure in the primary detection method, the gating transducers act as a backup to detect train arrival. Once the system senses a train's presence, it enters scanning mode. In other words, the system has been activated. It then opens the scanner's shutters and disables their heaters. It then waits for further evidence of a train at the site in the form of gating transducer activity.

Once the system is active, it reads pulses from the two rail-mounted gating transducers, which are designated TO1 and TO2. On the rail nearest the wayside enclosure, these transducers are mounted near and to the north or east of the bearing scanners. **TO1** is the gating transducer closest to the bearing scanner. **TO2** is the one farthest from the bearing scanner.



The signals from these gating transducers indicate to the system that passing wheels are in view of the scanners. Furthermore, the speed of the train is determined by using the known distance between TO1 and TO2 versus the time required for a given wheel to pass over them.

Four axles must pass over the gating transducers for the system to consider the event a valid train. This prevents maintenance equipment from generating alarms and causing unwanted voice messages on the road channel.

2.2 System Deactivation

System deactivation is the process used to detect the moment that the train exits the site. This happens in one of two ways, which is dependent upon whether the track circuit or one of the transducers has activated the system.

If the track circuit activated the system, the system waits for the track-circuit signal to be absent for ten seconds before deactivating. Likewise, if a transducer activated the system, the system waits for ten seconds of inactivity from the gating transducers before deactivating.

2.3 Speed Calculation

The train's minimum, maximum, average, and exit speeds in miles per hour is shown on the reports. The system calculates the speed by knowing the distance between the two transducers versus the time that it takes a given wheel to pass over them. Calculated speeds over 99 mph (159 kph) are reported as 99 mph. If a train has fewer than eight axles, its speed is reported as 0 mph.

Trains traveling at less than 7 mph (11.3 kph) are considered "very slow." If a passing train drops below this speed threshold, the detection of Differential alarms, Pyrometer Saturation alarms, and Carside Slope alarms isn't performed. After the passage of these trains, the phrase "train too slow" is appended to the post-train message (when the Announce Slow Train option is enabled) and a diagnostic message is noted on the Train Detail and Exception Detail reports. Also, after the passage of these trains, axle count, exit speed, length of train, and total number of cars isn't announced. This is true even when the Announce Axles option, Announce Speed option, Announce Train Length option, and Announce Number of Cars option are enabled.

The report fragment below, from the header section of a Train Detail report, shows the location of this message.

```
Southern Technologies Corporation
Next Generation Detector System
TRAIN DETAIL
-----
                                .
                                .
System Alarms
-----
VERY Slow Train
                                .
                                .
                                .
```

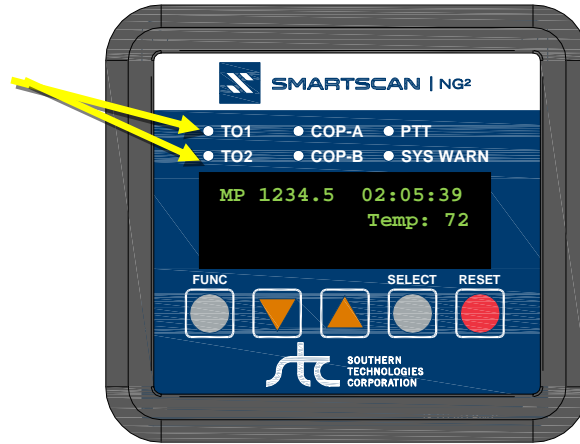
2.4 Train Direction

Train direction is based on whether TO1 or TO2 generated the first gating transducer pulse.

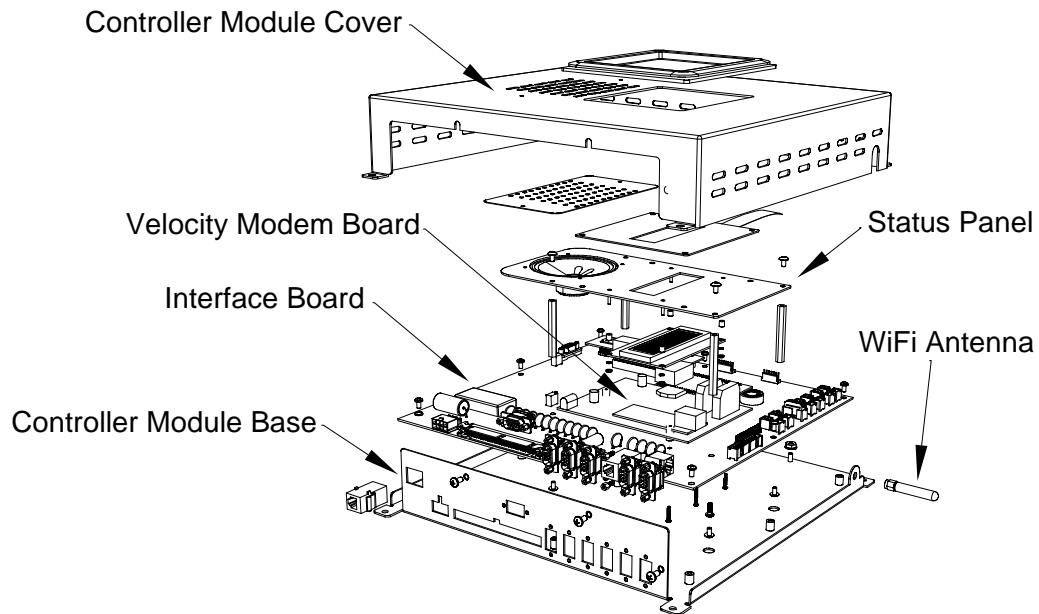
2.5 Transducer Pulse Processing

As a wheel enters the sensing range of a transducer, the transducer should respond with a positive-going pulse. The polarization of the two wires from the transducer determines if this pulse is positive or negative.

Here is a simple test that you can use to verify the correct polarization of the gating transducers. While watching the TO1 and TO2 LEDs on the display panel, have someone lay a metal wrench on one of the gating transducers. The corresponding LED should briefly light as the wrench touches the transducer. Then lift the wrench up. The LED shouldn't light as the wrench is lifted away. Repeat the test for the other transducer.



On the Interface board (in the Controller module), the transducer signals undergo RF filtering and amplification with a gain of 30. For validation, the amplified signals are fed into comparators, which create 5-VDC pulses lasting the period of time that the amplified signals remain above 620 millivolts. Processor-A receives these 5-VDC pulses through ports PA0 (TO1) and PA1 (TO2).



A firmware-controlled feature of the comparator circuit allows adjustment of the threshold voltage based on the speed of the train. Trains traveling less than 20 mph (32 kph) use the 620-millivolt threshold setting for maximum sensitivity. However, faster trains cause the transducers to generate a higher signal voltage, which allows the system to increase the threshold voltage. This improves the signal-to-noise ratio resulting in better signal validation.

Processor-A internally generates interrupts on the positive-going and negative-going edges of each transducer pulse coming from the comparator. The positive edge of each comparator pulse starts a timer. The timer stops with the detection of a negative-going edge. The width of each pulse is a determining factor of signal validity. Three milliseconds or greater is considered to be a valid signal. The firmware rejects any pulse width shorter than 3-milliseconds. Rejected pulses don't increment the transducer counters.

In normal operation, the gating transducers fire in sequence, first one, then the other. With 24-inch (61-centimeter) gating-transducer spacing, a wheel passes over both gating transducers before the next wheel passes over a gating transducer. Therefore, two consecutive pulses on the same gating transducer are not physically possible. However, in the unlikely event that a gating transducer is ever caused to fire by another source, such as electrical interference from a locomotive's traction motor, a spike-counter for the gating transducer that misfired will be incremented by one. To increment the axle counter, one pulse from each gating transducer must occur in sequence.

2.6 Axle Scanning

When the train first enters the site, the SmartScanNG² system begins reading the scanners for a heat signal when the wheel is at the center of the first gating transducer. Thereafter, it starts reading the scanners 16 inches (40.6 centimeters) before the center of the first gating transducer. (See **Appendix I - Predictive Gate Scanning** for more information about this 16-inch (40.6-centimeter) pre-gate scanning.) The system continues reading until the wheel is at the center of the second gating transducer. This is the period that the axle is in view of the scanner. A negative-going edge of a transducer signal is an indication that the wheel is in the center of that transducer.

The firmware uses Dynamic Scan Rate sampling between the centers of the two transducers (that is, between the gate), which means that heat readings taken every 1/2 inch (1.27 centimeters) of wheel movement are used to detect alarms, regardless of the speed of the train. As a result, the system takes 48 evenly spaced samples as the wheel rolls through the 24-inch (61-centimeter) detection zone that is established by the distance between the gating transducers.

2.7 Hot Bearing Alarms

The SmartScanNG² system checks for hot bearings during the scanning process. It detects and records every Hotbox alarm that occurs. However, it only announces a maximum of four per train. For example, if a train contains seven Hotbox alarms, the Train Detail report will show all seven, but only the first four will be announced.

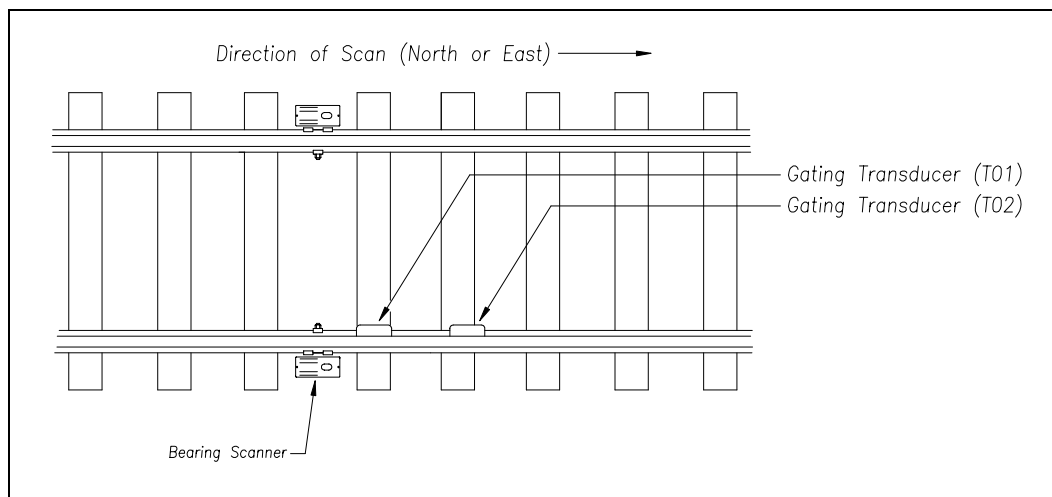
There are four types of Hotbox alarms.

- **Absolute.** To trigger an Absolute alarm, a bearing temperature must exceed the limit that was established using the Absolute option. This alarm limit is an offset, in degrees Fahrenheit, above the ambient temperature.
- **Differential.** To trigger a Differential alarm, a bearing temperature must exceed the opposite side bearing temperature of the same axle by a differential amount established using the Differential option.
- **Pyrometer Saturation.** To trigger a Pyrometer Saturation alarm, an interaxle bearing temperature must exceed the limit that was established using the Absolute option. If an Absolute alarm or a Differential alarm has already been triggered for the axle, a Pyrometer Saturation alarm isn't generated.
- **Carside Slope.** To trigger a Carside Slope alarm, a bearing temperature must meet or exceed a calculated alarm level and a minimum heat value. The bearing temperature must also be at least twice the opposite bearing's temperature. If an Absolute alarm or a Differential alarm has already been triggered for the axle, a Carside Slope alarm isn't generated. The minimum heat value is established using the Carside Minimum option.

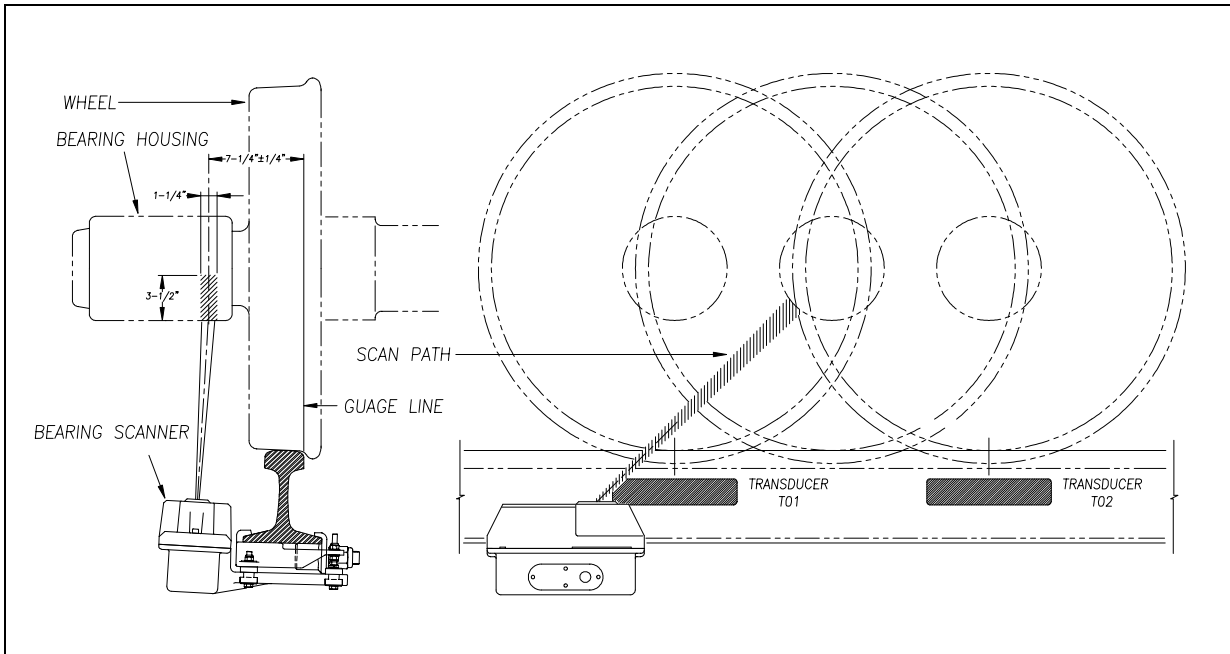
The system always checks for Absolute alarms. The system also checks for Differential alarms and Pyrometer Saturation alarms. However, their detection stops when the speed of the train drops below 7 mph (11.3 kph). In order for Carside Slope alarms to be processed, they must be enabled using the Carside Slope option on the Equipment Settings menu. The detection of Carside Slope alarms also stops when the speed of the train drops below 7 mph (11.3 kph).

2.7.1 Bearing Scan Process

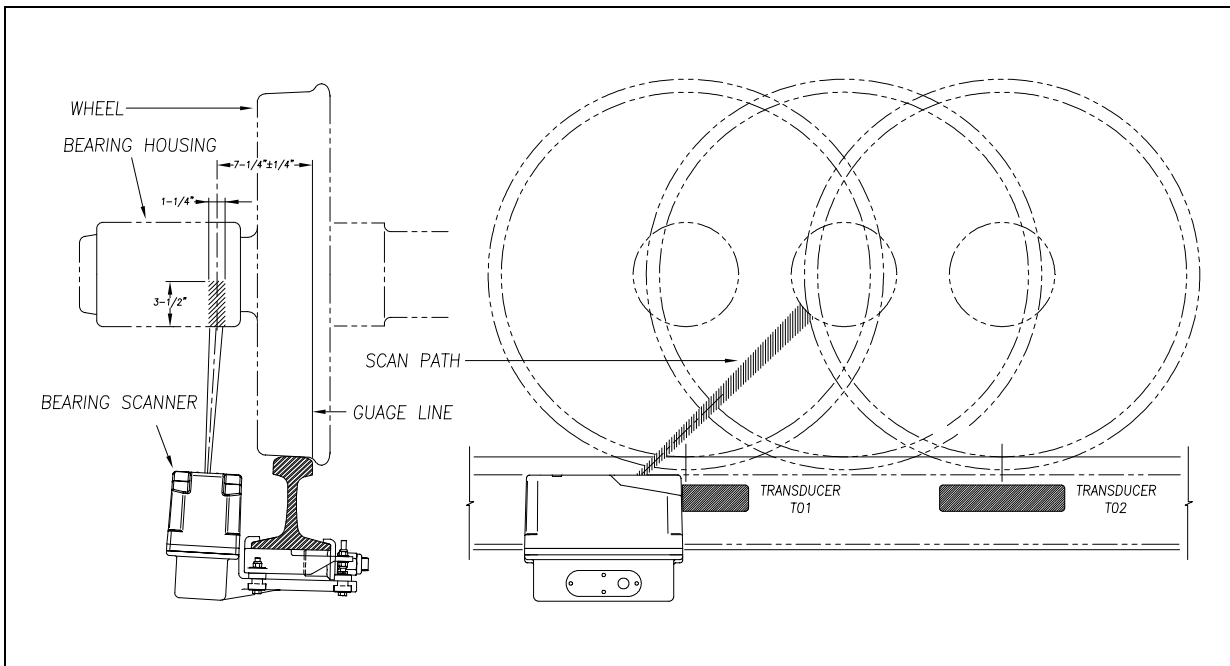
Bearing scanners are mounted in the center of the crib of two ties spaced at least 14 inches (35.6 centimeters) apart. Both bearing scanners are mounted in the crib immediately ahead of the gating transducers (that is, in the crib immediately to the south or west of the gating transducers). They are mounted directly opposite each other, one on each rail of the track. The hole on the top of the scanner covers faces north or east.



The type2 bearing scanners are aligned to scan the bottom 3.5 inches (8.9 centimeters) of the bearing housing, about 7.25 inches (18.4 centimeters) from the gauge line.



The type3 bearing scanners are aligned to scan the bottom 3.5 inches (8.9 centimeters) of the bearing housing, about 7.25 inches (18.4 centimeters) from the gauge line.



Bearing temperatures are sampled for a short period before the gate opens to support the detection of Pyrometer Saturation alarms, and while the gate is open.

2.7.2 Referencing System

Pyrometers measure rapid changes in infrared energy emitted from objects passing through their field of view. The rail-mounted scanners are aligned to take advantage of this characteristic.

When no axle is present between the gating transducers, the scanner typically sees only the undersides of the cars passing over the site. The undersides of the cars are at or near ambient temperature, thus establishing the reference from which the elevated temperatures of bearings are measured. The pyrometers normalize during this time, producing a zero-level signal.

Occasionally, the scanners are exposed to infrared emissions that are colder than the underside of the cars. Typically, this occurs in the gaps between cars when the scanners may reference on clear sky. This could present an erroneous reference if a bearing was scanned immediately following a sky shot, resulting in an abnormally high reading for the bearing. The pyrometers have internal circuitry to prevent the reference from shifting below the established zero-reference.

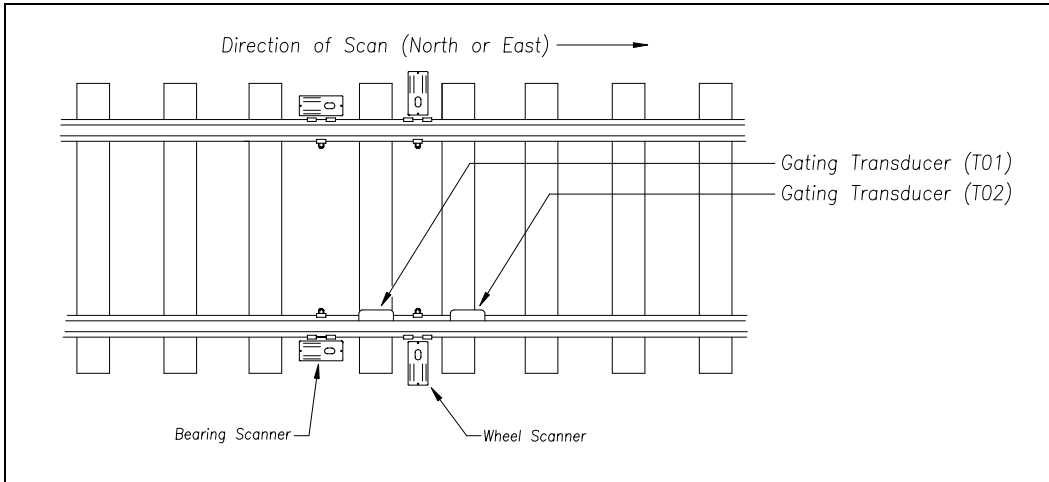
When a bearing passes through the field of view of the scanner, a rapid change in temperature is presented to the internal lithium tantalite crystal. This causes the signal level from the pyrometer to increase proportionally to the amount of exposed infrared energy. When an axle is between the gating transducers, the pyrometer signal is sampled at every 1/2 inch (1.27 centimeters) of wheel movement for a total of 48 samples, and the maximum signal level is stored. This signal level measured in volts is converted to a digital value and expressed in degrees Fahrenheit above ambient temperature. This value is the basis for the alarm analysis done by the system.

2.7.3 Pyrometer Linearity

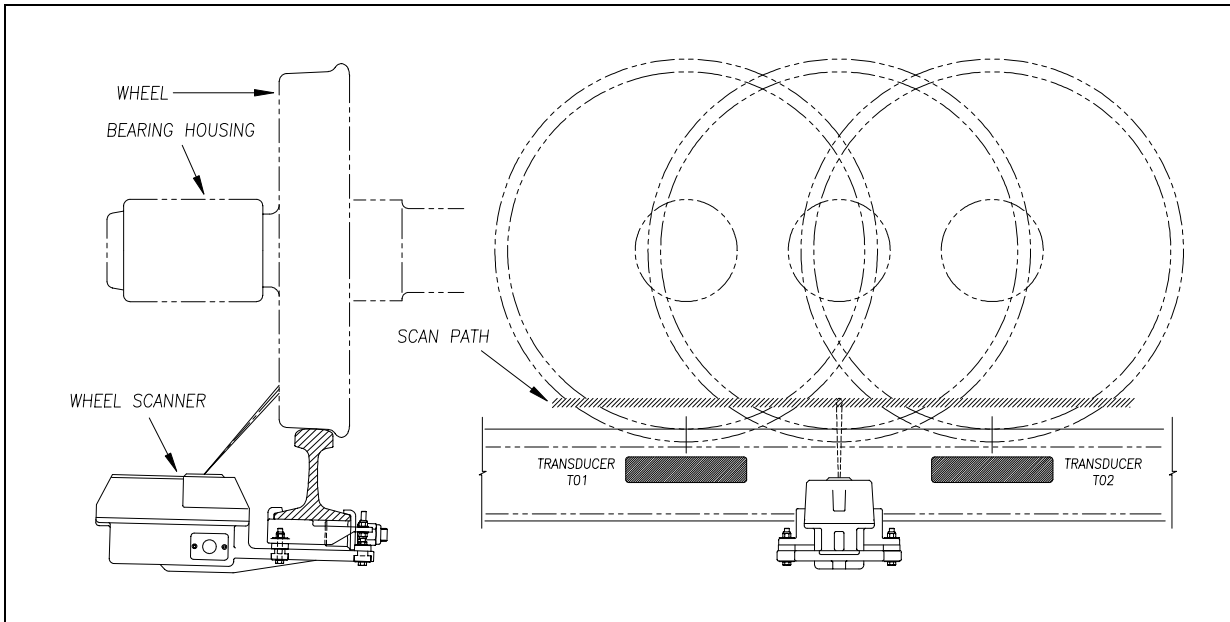
The output of the pyrometers is linear across most of the operating speed range of the system. However, the output of the pyrometers is nonlinear at either end of the operating speed range. To compensate for this nonlinear output, the firmware applies a correction factor to the sampled heat value. The correction factor applied to each bearing sample is based on the speed of the bearing (axle's ON time) as it passed through the gate and on the actual value read by the pyrometer. The correction factor is derived from a table that is keyed by the axle's ON time and heat value. Due to the fast nature of this lookup table, linearity compensation is done real-time so that detected alarms reflect the heat value after the linearity step has been done.

2.8 Hotwheel Alarms

When used, wheel scanners are mounted in the center of the crib of two ties spaced at least 14 inches (35.6 centimeters) apart. Both wheel scanners are mounted in the crib between the two gating transducers. They are mounted directly opposite each other, one on each rail of the track. The hole on the top of the scanner covers faces the center of the track.



The type2 wheel scanners are aligned to scan about 4 inches (10 centimeters) above the rail.



The SmartScanNG² system checks for hotwheels during the scanning process. Scan timing is controlled the same as for the bearing scanners.

Wheel scanning alarms are limited to absolute only. To trigger a Hotwheel alarm, wheel scanners must be properly installed, hotwheel detection must be enabled, and a wheel temperature must exceed the limit that was established using the Hotwheel option on the Alarm Settings menu. This alarm limit is an offset, in degrees Fahrenheit, above the ambient temperature. Hotwheel detection is enabled using the Hotwheel option on the Equipment Settings menu. When enabled, the SmartScanNG² system detects and records every Hotwheel alarm that occurs. However, it only announces a maximum of four per train. For example, if a train contains nine Hotwheel alarms, the Train Detail report will show all nine, but only the first four will be announced.

2.9 Auxiliary Alarms

The SmartScanNG² system can support input from as many as four external alarm devices. Any device that provides an open relay contact upon alarm detection can be supported by the system. Auxiliary alarms supported by the SmartScanNG² system are:

- **Dragging Equipment.** To trigger a Dragging-Equipment alarm, a dragging-equipment detector must be properly installed, dragging-equipment detection must be enabled, and the SmartScanNG² system must sense an open relay contact from the dragging-equipment detector. Dragging-equipment detection is enabled using the Dragger option on the Equipment Settings menu. When enabled, the SmartScanNG² system detects and records every Dragging-Equipment alarm that occurs on a given train. However, it only announces the first two.
- **High Load (oversized loads).** To trigger a High-Load alarm, a high-load detector must be properly installed, high-load detection must be enabled, and the SmartScanNG² system must sense an open relay contact from the high-load detector. High-load detection is enabled using the High-Load option on the Equipment Settings menu.

When a high-load detector is configured for tripwire operation, the SmartScanNG² system only records one High-Load alarm, regardless of the high-load signal status. This is because you can only break a wire once.

When a high-load detector is configured for light-beam operation, the SmartScanNG² system records every High-Load alarm that occurs. This involves a caveat that the system won't flag High-Load alarms on consecutive axles. At least one unalarmed axle must separate the alarmed axles. Regardless of the number of detected High-Load alarms, it only announces a maximum of two.

The mode of operation (light beam or tripwire) isn't relevant when the SmartScanNG² system finds a Stuck High-Load Detector Pretrain alarm. When this occurs, the system flags the pretrain condition as an integrity failure, disables high-load scanning for the remainder of the train, and doesn't assign a high-load condition to any of the axles.

- Wide Load (shifted loads). To trigger a Wide-Load alarm, two wide-load detectors (one on each side of the track) must be properly installed, wide-load detection must be enabled, and the SmartScanNG² system must sense an open relay contact from either of the wide-load detectors. Wide-load detection is enabled using the Wide-Load option on the Equipment Settings menu.

When a wide-load detector is configured for tripwire operation, the SmartScanNG² system only records one Wide-Load alarm, regardless of the wide-load signal status. This is because you can only break a wire once.

When a wide-load detector is configured for light-beam operation, the SmartScanNG² system records every Wide-Load alarm that occurs. This involves a caveat that the system won't flag Wide-Load alarms on consecutive axles. At least one unalarmed axle must separate the alarmed axles. Regardless of the number of detected Wide-Load alarms, it only announces a maximum of two.

The mode of operation (light beam or tripwire) isn't relevant when the SmartScanNG² system finds a Stuck Wide-Load Detector Pretrain alarm. When this occurs, the system flags the pretrain condition as an integrity failure, disables wide-load scanning for the remainder of the train, and doesn't assign a wide-load condition to any of the axles.

Both high-load detectors and wide-load detectors must be either trip-wire detectors or light-beam detectors. The selection of tripwire or light beam is made using the Clearance Type option on the Equipment Settings menu.

3.0 Display Panel

Located on the front of the SmartScanNG² Controller Module is the Display Panel. Its status indicators and display module provide a snapshot of the overall system health. As a convenience, the Display Panel also provides a user interface to execute some frequently used system functions (i.e. Auto Cal, Radio Test, etc.).



SmartScanNG² Display Panel

3.1 LED Indicators

There are six LED status indicators located above the OLED display.

LED	Meaning when Lit
TO1	Indicates wheel sensor TO1 is active.
TO2	Indicates wheel sensor TO2 is active.
COP-A	Indicates the status of Processor-A. If the CPU is running its program correctly, the LED blinks on and off. If the program isn't operating as expected, the LED is lit solid or isn't lit at all.
COP-B	Indicates the status of Processor-B. If the CPU is running its program correctly, the LED blinks on and off. If the program isn't operating as expected, the LED is lit solid or isn't lit at all.
PTT	Indicates the radio PTT is active.
SYS WARN	Indicates that a system warning has been detected.

3.2 Keypad & Display

The display assembly includes a 4-line 20-character OLED display and a five-key membrane switch panel. If unused for five minutes, the display will time out to conserve power. Press any key to turn the display back on.

Keypad Switch	Function
FUNC	The function key toggles from the home screen to the Main Menu. It also serves as the "Back" key in the system submenus to return to the previous menu level.
▼ (Arrow Down)	Scroll down menu options.
▲ (Arrow Up)	Scroll up menu options.
SELECT	Selects the highlighted menu option.
RESET	Initiates system reset.

The home screen displays milepost, time, and temperature.

```
MP 1234.5  02:05:39
              Temp: 72
```

If a system warning has been detected, the display will indicate "Check Sys. Health Menu" at the bottom of the screen.

Menu Navigation:

- Press the **FUNC** key to toggle from the home screen to the Main Menu or to back out of the submenus.
- Use the **▲UP** and **▼DOWN** keys to move the **▶** pointer next to the desired menu option.
- Press the **SELECT** key to choose the menu option. The "↓" symbol on the display screen indicates that there are more options available if you scroll down. Likewise, the "↑" symbol indicates more options are available if you scroll up.

```
Main Menu
▶Sys. Health Menu
  Reset Sys. Health
↓ Radio Test
```

3.3 System Health Menu

The System Health Menu provides a snapshot of the system's general health. Each system health check displays a status of "GOOD" or "BAD" based on trending information derived from system alarms, integrity failures, and other monitored data. If a system warning has been flagged, the **SYS WARN** LED will be lit, and the "Check System Health" message will be displayed on the bottom text line of the home screen.

1. From the Main Menu, place the ► pointer next to **Sys. Health Menu**.

```
Main Menu
  ►Sys. Health Menu
    Reset Sys. Health
  ↓ Radio Test
```

2. Press the **Select** key. The status of the following system health checks are displayed:
NumTrains, LowMiscount, HighMiscount, AvgTemp0, AvgTemp1, AvgTemp2, AvgTemp3, ColdRail0, ColdRail1, ColdRail2, ColdRail3, Avg Miscount, and Batt. prcnt.

```
Sys. Health Menu
  ►NumTrains      Good
    LowMiscount   Good
  ↓ HighMiscount  Good
```

If any of these system health checks indicate a "Bad" status, select that item to display more detailed information.

3. To reset system health, navigate to the Main Menu and place the ► pointer next to the **Reset Sys. Health**.

```
Main Menu
  Sys. Health Menu
  ►Reset Sys. Health
  ↓ Radio Test
```

4. Press the **Select** key. When prompted, select **Yes** to reset system warnings and zero all health check counts.

```
Are You Sure?
  ►Yes
  No
```

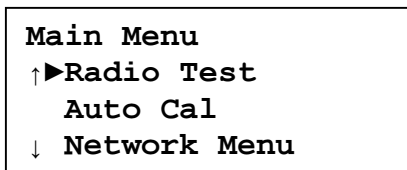
3.4 System Functions

Several system functions can be performed from the display panel. Available options are:

- System Health Menu
- Reset System Health
- Radio Test
- Auto Cal
- Network Menu
- Radio Menu
- Volume Menu

3.4.1 Radio Test

To perform a radio test, go to the Main Menu and select **Radio Test**



The Radio Test option is used to broadcast a short message through the speaker and through the radio. Using this option lets you verify that the speaker and radio are working properly.

At single-track sites, the text of the message is "Testing, Alaska Rail, milepost, (*milepost number*), testing, one, two, three, four, five, four, three, two, one, testing." At double-track sites, the text of the message is "Testing, Alaska Rail, milepost, (*milepost number*), track (*track designation*), testing, one, two, three, four, five, four, three, two, one, testing."

If the system isn't currently making any other voice announcements, it begins the Radio Test announcement. After the announcement finishes, the System Functions menu reappears.

If the system is currently making a voice announcement, the firmware displays the message "System Is Currently Making Voice Announcements! Try Again Later" and redisplay the System Functions menu.

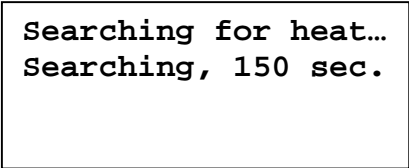
While listening to the message, look at the PTT LED on the display panel.

The **PTT LED** should be lit. If this LED isn't lit, the system's ability to send a message to the radio might be inhibited by the Radio Inhibit option on the System Functions menu. If the radio is inhibited, the results of this check are invalid.

3.4.2 Auto-Calibration

The SmartScanNG² system self-calibrates its pyrometer interface circuitry. You need only put a preheated calibrated heat source on a scanner and place the system in autocalibration mode. The system then scans all pyrometer inputs until the signal from the calibrated heat source is located. The necessary adjustments to the related interface circuitry are automatically made while the system monitors its own progress by analyzing changes in the heat signals.

From the Main Menu, select **Auto Cal**. This prompt appears.



Searching for heat...
Searching, 150 sec.

Once the procedure has been completed, autocalibration mode is disengaged and the calibration results are displayed.

For a detailed description of the auto-calibration procedures, go to **Appendix F Calibrating of Type2 Scanners** or **Appendix G Calibrating of Type3 Scanners**.

3.4.3 Network Menu

From the Main Menu, select **Network Menu** option to view/change network settings.

Available options are:

DHCP server, Wifi (on/off), IP Address, DHCP (on/off), TELNET port, HTTP port, and HTTPS port

3.4.4 Radio Menu

From the Main Menu, select Radio Menu to view the radio screen. This screen will display certain radio status information such as:

- "PTT Disabled" if Radio Inhibit is active
- "Holdoff Active" if holdoff is enabled
- "CD active" when radio has detected an active carrier signal

Press SELECT key to initiate Radio Test.

3.4.5 Volume Menu

From the Main Menu, select **Volume Menu** to view/change speaker volume.

```
Vol: 5 [||||| ]
Up/Down = change
Select = Radio test
Func = Back
```

There are ten volume settings (0 – 9) with level 9 being the maximum volume. Press the ▲UP key to increase the volume level. Press the ▼DOWN key to decrease the volume level.

Pressing the **SELECT** key while in Volume Menu will initiate a radio test.

The Radio Test is used to broadcast a short message through the speaker and through the radio. Using this option lets you verify that the speaker volume is at a sufficient level. At single-track sites, the text of the message is "Testing, Alaska Rail, milepost, (milepost number), testing, one, two, three, four, five, four, three, two, one, testing." At double-track sites, the text of the message is "Testing, Alaska Rail, milepost, (milepost number), track (track designation), testing, one, two, three, four, five, four, three, two, one, testing."

Press the **FUNC** key to back out of the menu.

4.0 Serial Interface

The serial interface allows **on-site** and **off-site** communication with the system. This interface is the only way to view reports and modify system parameters.

Most sites are equipped with either Ethernet or telephone service that provides remote communications capabilities. If not, you cannot communicate with the system **off-site**.

To use the interface locally, you need:

- A computer
- Communications software, which is installed on the computer
- A cable from the computer to a communications port on the Controller module

For remote access via telephone:

- A computer with communications software
- A modem, which is connected to the computer
- A nonswitched analog telephone line, which is connected to the computer's modem
- Another modem, which is connected to COM3 on the Interface board (internally) or COM3 on the Controller module (externally)
- Another nonswitched analog telephone line, which is connected to the SmartScanNG²'s modem

For remote access via network:

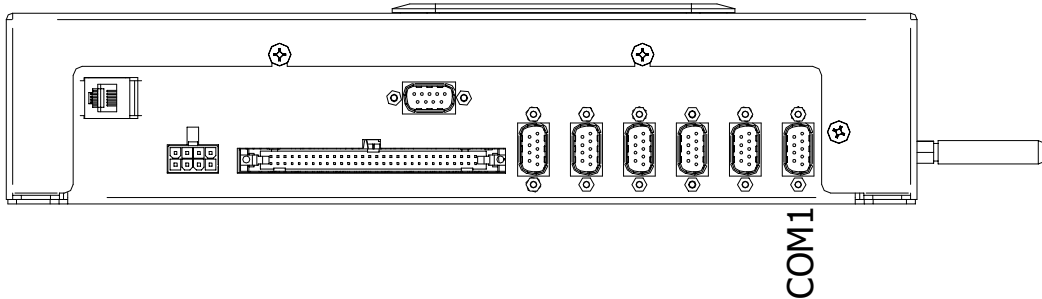
- A computer with communications software and internet connectivity
- An Ethernet connection at the SmartScanNG² controller

If your site uses an external modem, it must be attached to COM3 on the Controller module. But before attaching it, you must first disconnect P14 on the Interface board from the internal modem. You must next route COM3 on the Interface board to the external connector COM3 on the SmartScanNG² chassis (that is, the Controller module).

This section describes the serial interface for Alaska Rail's SmartScanNG² systems. It covers how to enter or change the system parameters. It is necessary to go through a complete set up the first time a SmartScanNG² system is installed at a new site. (If this is a double-track site, you also need to do this for the other SmartScanNG² system.) After that, the processor (in the Controller module) retains the setup information in flash memory. During a power outage, no setup information is lost.

4.1 Main Menu

- 1 If **on-site**, plug your computer into COM1 **Error! Bookmark not defined.**



- 2 Turn on your computer.
- 3 Be sure that your computer has installed communications software, that it is set to use full-duplex, and that the baud rate is set to 115,200.
Use your communications software to open a LOG file and capture the whole session to the file. When your session is complete, you may then view what you have done with an editor, print it with a printer, or store it for later retrieval.
- 4 On your computer, open a LOG file.
- 5 If **off-site**
 - a From your computer, initiate a remote connection to the site modem.
 - b Wait for the "connect" message from your modem.

To display the **Main Menu**:

- 6 Press **[Esc]**.

If the system has been set up with security passwords, this prompt appears.

Enter password:

- 7 Type the appropriate password to display Main Menu.
System login with an administrative password allows all access to system menus.
System login with user password allows access to report menus and system functions menu but restricts access to the Setup Menu and security menu.

8 The Main Menu

```
SmartSCAN NG2
02/10/2021 14:44:57 EST
Main Menu - Comm
-----
[A] - Train Summary
[B] - Train Detail
[C] - Exception Summary
[D] - Exception Detail
[E] - System Status Report
[F] - Last Train
[G] - Train DSRs
[H] - AEI Diagnostic
[I] - Setup
[J] - Event log
[K] - System Functions Menu
[L] - Replay train
[M] - Security Menu
[X] - Exit
```

By selecting an option at the above prompt, you can:

- Produce a report.
- Replay an EOT announcement.
- Access the Setup Menu. It is from the Setup Menu that you can set system parameters.
- Enter pass-through mode. Pass-through mode allows you to access two SmartScanNG² systems with one modem.
- Access the System Functions menu.

If a train is at the site when the Main Menu is generated, "*** Train Is Present ***" is displayed just above the menu header for the Main Menu and for every other menu.

9 When done, close the LOG file.

10 To exit the serial interface and return the system to normal operation, type **X**.

When a session ends, if a modem was used, the system sends various commands to the modem to prepare it for future use. If at any time during the disconnect procedure, lines such as "+++ATH0" appear on your screen, these are merely commands preparing the modem for further use. They shouldn't be construed as anything that is meant for the user.

4.2 Setup Menu

To display the Setup Menu:

- 1 Be sure that the Main Menu is displayed.

The Main Menu looks like this.

```
SmartSCAN NG2
02/10/2021 14:44:57 EST
Main Menu - Comm
-----
[A] - Train Summary
[B] - Train Detail
[C] - Exception Summary
[D] - Exception Detail
[E] - System Status Report
[F] - Last Train
[G] - Train DSRs
[H] - AEI Diagnostic
[I] - Setup
[J] - Event log
[K] - System Functions Menu
[L] - Replay train
[M] - Security Menu
[X] - Exit
```

- 2 Select the **Setup** to view menu options.

If the Setup Menu is password protected, this prompt appears.

```
You are not logged in with admin privileges
Enter password:
```

You are given three chances to type the correct password. When you don't type the correct password in three tries, the system returns to the Main Menu.

If the password is less than 20 characters long, press **[Enter]** after typing the last character. If the password is the full 20 characters in length, pressing **[Enter]** isn't necessary.

The entry of the password is **not** case sensitive. For example, the password "abc#123" can be entered "ABC#123," "aBc#123," and so forth.

```

SmartSCAN NG2, MP/KP:0128.7, Track:East
03/04/2021 11:43:12, 14.3V, 58°F
Setup Menu
-----
[A] - Date and Time
[B] - MP/KP
[C] - Track Designation ..... East
[D] - Track Direction ..... N/S
[E] - Alarm Settings
[F] - Equipment Settings
[G] - Messages Settings
[H] - AEI Settings
[I] - Load Default Setup Parameters
[J] - COM Port Settings
[K] - Network Settings
[L] - Velocity ..... Disabled
[M] - Multitech ..... Disabled
[X] - Exit

```

To access any of the Setup Menu options, type the letter that corresponds to the desired menu option.

At any prompt, a timeout mechanism is in place to prevent the system from remaining in that state indefinitely. When a timeout occurs, the serial interface regresses to the previous menu. For example, if a timeout occurs in the Equipment Settings menu, the system reverts to the Setup Menu. If this menu times out, the system reverts to the Main Menu. If this menu times out, the system disconnects the modem connection and resumes normal operation. At the Main Menu, the timeout is set for five minutes. For all other prompts, the system uses several different timeout values.

If a train is at the site when the Setup Menu is generated, "*** Train Is Present ***" is displayed just above the menu header for the Setup Menu.

3 To return to the Main Menu, type **X**

Changes to the system parameters aren't reflected until after you have exited the Setup Menu.

4.2.1 Date and Time

To set or change the date, the time, or both:

- 1 Be sure that the Setup Menu is displayed.

The Setup Menu looks like this.

```
STC SmartScanNG, MP/KP-1234.5
02/10/2021 14:46:42 EST
Setup Menu
-----
[A] - Date and Time
[B] - MP/KP
[C] - Track Designation ..... East
[D] - Track Direction ..... N/S
      .
      .
      .
```

- 2 Select the Date and Time submenu

A prompt like this appears.

```
Current Date: 02/10/2021
Enter New Date (mm/dd/yyyy):
```

Dates are in **mm/dd/yyyy** format, where **mm** is month, **dd** is day, and **yyyy** is year. Type the current date. You must include slashes. For days and months from 1 through 9 you must type leading zeros. Thus, for 8 July 2020, type **07/08/2020**.

If you want to keep the displayed date, press **[Enter]**. If you don't, type a new date.

- 3 Type a new date or press **[Enter]**.

A prompt like this appears.

```
Current time is: 22:47:34
Enter new time:
```

Time is in 24-hour **hh:mm:ss** format, where 8 a.m. is 08:00:00, noon is 12:00:00, 8 p.m. is 20:00:00, and midnight is 00:00:00. Thus, for 17 seconds past 3:42 p.m., type **15:42:17**. You must include colons. For hours, minutes, and seconds from 0 through 9, type leading zeros.

If you want to keep the displayed time, press **[Enter]**. If you don't, type a new time.

- 4 Type a new time or press **[Enter]**.

A prompt like this appears.

```
Current Time Zone: Eastern
Enter New Time Zone (E-Eastern,C-Central,M-Mountain,P-Pacific):
```

If you want to keep the displayed time zone, press **[Enter]**. If you don't, type the letter that corresponds to the time zone you want.

- 5 Type the letter that corresponds to the time zone you want or press **[Enter]**.

A prompt like this appears, stating whether the daylight-saving-time adjustment is currently disabled or enabled. Daylight-saving time is the period during which clocks are set one hour ahead of local standard time.

```
Daylight Savings Time Enabled OK (Y/N)?
```

If disabled, all times throughout the year are in standard time. If enabled, all times between the second Sunday in March and the first Sunday in November are in daylight-saving time. All other times are in standard time. Any change takes effect immediately. Later, if enabled, at 2:00 a.m. on the second Sunday in March, the system will adjust the system's clock forward an hour to 3:00 a.m., and at 2:00 a.m. on the first Sunday in November, the system will adjust the system's clock backward to 1:00 a.m.

At this point, you can type **Y** (yes), type **N** (no), or press **[Enter]**. Pressing **[Enter]** has the same effect as typing **Y**. Typing **N** doesn't change the displayed time.

- 6 If you want to modify the adjustment, type **N**

Typing the letter **N** toggles between disabled or enabled. A message like this appears, stating whether the daylight-saving-time adjustment is now disabled or enabled.

```
Daylight Savings Time Disabled OK (Y/N)?
```

- 7 If you don't want to modify the daylight-saving-time adjustment, type **Y**

The Setup Menu reappears. Information like this appears on line two of the Setup Menu, where EDT is the abbreviation for Eastern Daylight Time. If it were EST instead, it would be Eastern Standard Time.

```
01/30/2021 22:47 EDT
```

4.2.2 Milepost/Kilometer Post (MP/KP)

To set or change the milepost/kilometer post (MP/KP) setting:

- 1 Be sure that the Setup Menu is displayed.

The Setup Menu looks like this.

```
STC SmartScanNG, MP/KP-1234.5
02/10/2021 14:46:42 EST
Setup Menu
-----
[A] - Date and Time
[B] - MP/KP
[C] - Alarm Settings
[D] - Equipment Settings
      .
      .
      .
```

- 2 Select the MP/KP submenu

A prompt like this appears.

```
Enter the milepost in the form ####.# (use leading zeros):
```

MP/KP is in **nnnn.n** format. If the desired MP/KP has less than five digits, type leading zeros. If the desired MP/KP is an integer, type a trailing zero. Thus, for MP/KP 30, type **0030.0**.

- 3 To keep the displayed MP/KP:

- a Press **[Enter]**.

The Setup Menu reappears.

- b Skip the remaining steps.

- 4 To change the displayed MP/KP, type the new five-digit MP/KP including the decimal point.

The Setup Menu reappears.

4.2.3 Track Designation

To set or change the track designation setting:

- 1 Be sure that the Setup Menu is displayed.

The Setup Menu looks like this.

```
STC SmartScanNG, MP/KP-1234.5
02/10/2021 14:46:42 EST
Setup Menu
-----
[A] - Date and Time
[B] - MP/KP
[C] - Track Designation ..... East
[D] - Track Direction ..... N/S
      .
      .
```

- 2 Select the Track Designation menu.

A menu and prompt like this appears.

```
Select a track designation:
[A] - North
[B] - South
[C] - East
[D] - West
[E] - Middle
[F] - Main 1
[G] - Main 2
[H] - Main 3
[I] - Single
```

- 3 Select the desired designator to change setting or press **[Esc]** or type **X** return to the Setup Menu:

4.2.4 Track Direction

To set or change the track direction setting:

- 1 Be sure that the Setup Menu is displayed.

The Setup Menu looks like this.

```
STC SmartScanNG, MP/KP-1234.5
02/10/2021 14:46:42 EST
Setup Menu
-----
[A] - Date and Time
[B] - MP/KP
[C] - Track Designation ..... East
[D] - Track Direction ..... N/S
      .
      .
      .
```

- 2 Select the Track Direction menu option to toggle from N/S to E/W.

4.2.5 Alarm Settings

To set or change one or more of the alarm settings (aka alarm limits):

- 1 Be sure that the Setup Menu is displayed.

The Setup Menu looks like this.

```
STC SmartScanNG, MP/KP-1234.5
02/10/2021 14:46:42 EST
Setup Menu
-----
[A] - Date and Time
[B] - MP/KP
[C] - Track Designation ..... East
[D] - Track Direction ..... N/S
[E] - Alarm Settings
[F] - Equipment Settings
[G] - Messages Settings
[H] - AEI Settings
[I] - Load Default Setup Parameters
[J] - COM Port Settings
      .
      .
      .
```

2 Select the Alarm Settings menu

A menu and prompt like this appears.

```
Alarm Settings
-----
[A] - Absolute ..... 150
[B] - Differential ..... 255
[C] - Hot Wheel ..... 500
[D] - Carside Slope ..... 1.31
[E] - Carside Minimum ..... 90
[F] - Cold Rails ..... 3
[G] - Cold Rail Temp ..... 10
[H] - Cold Res Counter ..... 3
[I] - Res Test: Minimum Rail Avg .... 25
[J] - Res Test: Minimum Wheel Avg ... 28
[K] - Warm Bearing Trigger ..... 72
[L] - Warm Wheel Trigger ..... 361
[X] - Exit
```

This menu option allows you to change the various alarm limits that affect system operations. The current setting for each limit is displayed. To change one of the alarm limit settings, start by typing the letter corresponding to the desired option.

3 To leave the Alarm Settings menu and return to the Setup Menu:

- a** Press **[Esc]** or type **X**
The Setup Menu reappears.
- b** Skip the remaining steps.

4 To change the displayed **absolute-alarm limit** :

The number after the word Absolute (on the Alarm Settings menu) is an offset in degrees Fahrenheit above ambient temperature. When a bearing temperature exceeds this value, the system generates an Absolute alarm.

```
Alarm Settings
-----
[A] - Absolute ..... 150
[B] - Differential ..... 255
[C] - Hot Wheel ..... 500
      :
      :
```

a Select **Absolute** from the Alarm Settings menu.

This prompt appears.

```
Absolute alarm setting (default = 150)
Enter a value between 0 and 999:
```

If the new limit has less than three digits, type leading zeros to make it three digits long or press **[Enter]** after typing one or two digits.

b To not change the limit, press **[Esc]** and return to Alarm Settings Menu.

c Type the new limit.

5 To change the displayed **differential-alarm limit** :

The number after the word Differential (on the Alarm Settings menu) is an offset in degrees Fahrenheit between rail1 and rail2. A bearing temperature is compared to the bearing temperature on the opposite end of the same axle. When the difference in temperatures exceeds the value on the screen, the system generates a Differential alarm. Checking for Differential alarms stops when the speed of the train drops below 7 mph (11.3 kph).

```
Alarm Settings
-----
[A] - Absolute ..... 150
[B] - Differential ..... 255
[C] - Hot Wheel ..... 500
      .
      .
      .
```

a Select **Differential** from the Alarm Settings menu.

This prompt appears.

```
Differential alarm setting (default = 255)
Enter a value between 0 and 999:
```

If the new limit has less than three digits, type leading zeros to make it three digits long or press **[Enter]** after typing one or two digits.

b To not change the limit, press **[Esc]** and return to the Alarm Settings menu.

c Type the new limit.

6 To change the displayed **hotwheel-alarm limit** :

The number after the words Hot Wheel (on the Alarm Settings menu) is an offset in degrees Fahrenheit above ambient temperature. When a wheel temperature exceeds this value, the system generates a Hotwheel alarm. However, when the Hotwheel option on the Equipment Settings menu is disabled, Hotwheel alarms aren't generated.

```
Alarm Settings
-----
[A] - Absolute ..... 150
[B] - Differential ..... 255
[C] - Hot Wheel ..... 500
      .
      .
      .
```

a Select **Hot Wheel** from the Alarm Settings menu.

This prompt appears.

```
Hot Wheel alarm setting (default = 500)
Enter a value between 0 and 999:
```

If the new limit has less than three digits, type leading zeros to make it three digits long or press **[Enter]** after typing one or two digits.

- b** To not change the limit, press **[Esc]** and return to the Alarm Settings menu.
- c** Type the new limit.

7 To change the displayed **carside-slope value**:

The number after the words Carside Slope (on the Alarm Settings menu) is the slope value used when doing carside-slope calculation/analysis. **Section 2.0 - Defect Detection** describes the Carside Slope alarm process. In order for Carside Slope alarms to be processed, they must be enabled using the Carside Slope option on the Equipment Settings menu. The detection of Carside Slope alarms stops if the speed of the train drops below 7 mph (11.3 kph).

```
      :  
      :  
[D] - Carside Slope ..... 1.31  
[E] - Carside Minimum ..... 90  
[F] - Cold Rails ..... 3  
      :  
      :  
      :
```

- a** Select **Carside Alarm** from the Alarm Settings menu.

This prompt appears.

```
Carside Slope alarm setting (default = 1.31)  
Enter a value between 0.00 and 9.99:
```

Slope value is in **n.nn** format. If the new value has less than three digits, type leading zeros, trailing zeros, or both. Thus, for .98, type **0.98**. For 1.2, type **1.20**.

- b** To not change the value, press **[Esc]** and return to step **3**.
- c** Type the new value.

8 To change the displayed **carside minimum heat value**:

The number after the words Carside Minimum (on the Alarm Settings menu) is a minimum offset (in degrees Fahrenheit) used when doing carside-slope calculation/analysis. If the Carside Slope option on the Equipment Settings menu is disabled during train passage, no carside-slope calculation/analysis is done and, thus, no Carside Slope alarms are generated. If the Carside Slope option on the Equipment Settings menu is disabled at the time a Train Detail report is requested, no carside-slope calculation is done and, thus, no carside-slope alarm-limit lines are generated. **Section 2.0 - Defect Detection** describes the Carside Slope alarm process.

```
      :  
      :  
[D] - Carside Slope ..... 1.31  
[E] - Carside Minimum ..... 90  
[F] - Cold Rails ..... 3  
      :  
      :  
      :
```

a Select **Carside Minimum** from the Alarm Settings menu.

This prompt appears.

```
Carside Minimum alarm setting (default = 90)  
Enter a value between 0 and 999:
```

If the new value has less than three digits, type leading zeros to make it three digits long or press **[Enter]** after typing one or two digits.

b To not change the value, press **[Esc]** and return to step **3**.

c Type the new value.

9 To change the displayed **number of allowed consecutive cold rail events:**

The number after the words Cold Rails (on the Alarm Settings menu) is the maximum number (per raiIside) of consecutive trains having:

- Cold Rail alarms needed to generate a Successive Cold Rails Exceeded alarm.
- Cold Resistor alarms needed to generate a Successive Cold Resistors Exceeded alarm.
- Cold Wheel Scanner alarms needed to generate a Successive Cold Wheels Exceeded alarm.
- Cold Wheel Scanner Resistor alarms needed to generate a Successive Cold Wheel Resistors Exceeded alarm.

```
      .  
      .  
      .  
[D] - Carside Slope ..... 1.31  
[E] - Carside Minimum ..... 90  
[F] - Cold Rails ..... 3  
      .  
      .  
      .
```

a Select **Cold Rails** from the Alarm Settings menu.

This prompt appears.

```
New Value ? Rails alarm setting (default = 3)  
Enter a value between 0 and 999:
```

If the new value has less than three digits, type leading zeros to make it three digits long or press **[Enter]** after typing one or two digits.

b To not change the value, press **[Esc]** and return to step **3**.

c Type the new value.

10 To change the displayed **cold rail temperature:**

The number after the words Cold Rail Temp (on the Alarm Settings menu) is an offset, in degrees Fahrenheit, above the ambient temperature. When no bearing on a given rail generates a delta temperature reading greater than or equal to this value, the system generates a Cold Rail alarm for the given rail. There is a different Cold Rail alarm for each rail. That is, there is a Cold North Rail alarm and a Cold South Rail alarm (or, depending on track direction, a Cold East Rail alarm and a Cold West Rail alarm).

```
      .  
      .  
      .  
[G] - Cold Rail Temp ..... 10  
[H] - Cold Res Counter ..... 3  
[I] - Res Test: Minimum Rail Avg .... 25  
      .  
      .  
      .
```

- a Select **Cold Rail Temp** from the Alarm Settings menu.

This prompt appears.

```
Cold Rails alarm setting (default = 10)
Enter a value between 0 and 999:
```

If the new value has less than three digits, type leading zeros to make it three digits long or press **[Enter]** after typing one or two digits.

- b To not change the value, press **[Esc]** and return to step 3.
- c Type the new value.

11 To change the displayed **cold resistor counter**:

The number after the words Cold Res Counter is the maximum number (per railside) of consecutive trains, having Cold Resistor alarms, allowed before generating a Successive Cold Resistors Exceeded alarm. Under normal circumstances, cold resistor conditions represent System Alarms, not Integrity Failures. However, if the number of consecutive trains bearing identical Cold Resistor alarms equals or exceeds the Cold Resistor Counter option on the Alarm Settings menu, this condition becomes an Integrity Failure. If the number of consecutive trains bearing identical Cold Resistor alarms equals or exceeds the cold-resistor limit, the System Alarms section of the Train Detail and Exception Detail reports displays the message "Successive Cold Resistors Exceeded."

```
      .
      .
      .
[G] - Cold Rail Temp ..... 10
[H] - Cold Res Counter ..... 3
[I] - Res Test: Minimum Rail Avg .... 25
      .
      .
      .
```

- a Select **Cold Res Counter**

This prompt appears.

```
Cold Res Counter alarm setting (default = 3)
Enter a value between 0 and 999:
```

If the new value has less than three digits, type leading zeros to make it three digits long or press **[Enter]** after typing one or two digits.

- b To not change the value, press **[Esc]** and return to step 3.
- c Type the new value.

12 To change other Alarm setting options:

Select the desired setting. After the prompt, enter a new value.

```
      .  
      .  
      .  
[I] - Res Test: Minimum Rail Avg .... 25  
[J] - Res Test: Minimum Wheel Avg ... 28  
[K] - Warm Bearing Trigger ..... 72  
[L] - Warm Wheel Trigger ..... 361  
[X] - Exit
```

4.2.6 Equipment Settings

To set or change one or more of the equipment parameters:

- 1 Be sure that the Setup Menu is displayed.

The Setup Menu looks like this.

```
STC SmartScanNG, MP/KP-1234.5  
02/11/2021 08:17:12 EST  
Setup Menu  
-----  
[A] - Date and Time  
[B] - MP/KP  
[C] - Track Designation ..... East  
[D] - Track Direction ..... N/S  
[E] - Alarm Settings  
[F] - Equipment Settings  
[G] - Messages Settings  
[H] - AEI Settings  
[I] - Load Default Setup Parameters  
[J] - COM Port Settings  
      .  
      .  
      .
```

2 Select the Equipment Settings menu.

A menu and prompt like this appears.

```
Equipment Settings
-----
[A] - Dragger ..... YES
[B] - High Load ..... NO
[C] - Wide Load ..... NO
[D] - High/Wide Alarm Direction ... BOTH
[E] - AEI High/Wide Alarm Filter ... NO
[F] - Carside Slope ..... YES
[G] - Hot Wheel ..... NO
[H] - Clearance Type ..... Trip Wire
[I] - Clearance Mode ..... Multiplexed
[J] - Winter Cycle ..... NO
[K] - Transducer Gain ..... Normal
[L] - AEI ..... NO
[M] - Resistor Test ..... Enabled
[N] - Gate Distance ..... 24.0
[O] - Dragger Debounce Time ..... 200 ms
[P] - Pre Train Dragger Dist ..... 200 ft
[Q] - Hot Bearing ..... YES
[R] - Sun-Shot Override ..... NO
[S] - Sun-Shot OvrD Start Date ... 01/01
[T] - Differential ..... NO
[U] - Presence Hardware ..... Enabled
[X] - Exit
```

The current setting for each menu option is displayed. For example, the screen above shows that Wide-Load alarm detection is inactive (NO). To change one of the settings, press the letter corresponding to the desired option. Except for the Gate Distance option, which requires a value entry, all the options toggle between two or three settings.

3 To leave the Equipment Settings menu and return to the Setup Menu:

a Press **[Esc]** or type **X**

The Setup Menu reappears.

b Skip the remaining steps.

4 To change the current **dragger** (aka dragging-equipment) setting:

The Equipment Settings menu shows whether Dragging-Equipment alarm detection is enabled (YES) or disabled (NO). When disabled, Dragging-Equipment alarms won't be announced nor stored. Since they aren't stored, they can't be printed. When enabled, Dragging-Equipment alarms will be announced and stored. Since they are stored, they can be printed. In the presence of a continuous Dragger signal, the system alarms consecutive axles. When the system reaches the fifth consecutive Dragger alarmed axle, it flags the Stuck Dragger condition.

Equipment Settings	

[A] - Dragger	NO
[B] - High Load	NO
[C] - Wide Load	NO
	•
	•
	•

a Select **Dragger** from the Equipment Settings menu.

The dragging-equipment setting toggles between active (YES) and inactive (NO). The Dragger option on the Equipment Settings menu changes. The Equipment Settings menu reappears.

If you want Dragging-Equipment alarm detection to occur, be sure that YES appears after the word Dragger on the Equipment Settings menu.

b Return to step 3.

5 To change the current **high-load** setting:

The Equipment Settings menu shows whether High-Load alarm detection is active (YES) or inactive (NO). To announce High-Load alarms, YES must appear after the words High Load on the Equipment Settings menu, and Separate must appear after the words Clearance Mode on the Equipment Settings menu. To announce High-Wide alarms, YES must appear after the words High Load on the Equipment Settings menu and Multiplexed must appear after the words Clearance Mode on the Equipment Settings menu.

Equipment Settings	

[A] - Dragger	NO
[B] - High Load	NO
[C] - Wide Load	NO
	•
	•
	•

a Select **High Load** from the Equipment Settings menu.

The high-load setting toggles between active (YES) and inactive (NO). The High-Load option on the Equipment Settings menu changes. The Equipment Settings menu reappears.

If you want High-Load alarm detection to occur, be sure that YES appears after the word High-Load on the Equipment Settings menu.

b Return to Equipment Settings.

6 To change the current **wide-load** setting:

The Equipment Settings menu shows whether Wide-Load alarm detection is active (YES) or inactive (NO).

a Select **Wide Load** from the Equipment Settings menu.

The wide-load setting toggles between active (YES) and inactive (NO). The Wide-Load option on the Equipment Settings menu changes. The Equipment Settings menu reappears.

If you want Wide-Load alarm detection to occur, be sure that YES appears after the word Wide-Load on the Equipment Settings menu.

b Return to step 3.

7 To change the **High/Wide Alarm Direction** setting:

a Select **High/Wide Alarm Direction** from the Equipment Settings menu.

The setting toggles between active (N/E), (S/W), and (BOTH). The Equipment Settings menu reappears.

b Return to step 3.

8 To change the **AEI High/Wide Alarm Filter** setting:

a Select **AEI High/Wide Alarm Filter** from the Equipment Settings menu.

The setting toggles between active (YES) and (NO). The Equipment Settings menu reappears.

b Return to step 3.

9 To change the current **carside-slope** setting:

The Equipment Settings menu shows whether Carside Slope alarm detection is enabled (YES) or disabled (NO). If disabled (NO) during train passage, no carside-slope calculation/analysis is done and, thus, no Carside Slope alarms are generated. If disabled (NO) at the time a Train Detail report is requested, no carside-slope calculation is done and, thus, no carside-slope alarm-limit lines are generated.

a Select **Carside Slope** from the Equipment Settings menu.

The carside-slope setting toggles between active (YES) and inactive (NO). The Carside Slope option on the Equipment Settings menu changes. The Equipment Settings menu reappears.

b Return to step 3.

10 To change the current **hotwheel** setting:

The Equipment Settings menu shows whether Hotwheel alarm detection is enabled (YES) or disabled (NO). When disabled, Hotwheel alarms won't be announced nor stored. Since they aren't stored, they can't be printed. When enabled, Hotwheel alarms will be announced and stored. Since they are stored, they can be printed.

a Select **Hot Wheel** from the Equipment Settings menu.

The hotwheel setting toggles between active (YES) and inactive (NO). The Hotwheel option on the Equipment Settings menu changes. The Equipment Settings menu reappears.

b Return to step 3.

11 To change the current **clearance-type** setting:

The Equipment Settings menu shows whether clearance type is tripwire or light beam. This option is only used for high-load detectors and wide-load detectors. Both high-load detectors and wide-load detectors must be either trip-wire detectors or light-beam detectors.

- a** Select **Clearance Type** from the Equipment Settings menu.

The clearance-type setting toggles between tripwire and light beam. The Clearance Type option on the Equipment Settings menu changes. The Equipment Settings menu reappears.

- b** Return to step 3.

12 To change the current **clearance-mode** setting:

The Equipment Settings menu shows whether clearance mode is separate or multiplexed. This option is only used for high-load detectors and wide-load detectors. When set to separate, the alarms coming from the high-load detectors are announced as High-Load alarms and the alarms coming from the wide-load detectors are announced as Wide-Load alarms. When set to multiplexed, the alarms coming from the high-load detectors and wide-load detectors are announced as High-Wide alarms.

- a** Select **Clearance Mode** from the Equipment Settings menu.

The clearance-mode setting toggles between separate and multiplexed. The Clearance Mode option on the Equipment Settings menu changes. The Equipment Settings menu reappears.

- b** Return to step 3.

13 To change the current **winter-cycle** setting:

The Equipment Settings menu shows whether the winter-cycle feature is enabled (YES) or disabled (NO). To avoid errant heat readings caused by moisture on the pyrometer lenses, the scanners have heaters built into them. The heaters are made active, for varying periods of time, depending on an ambient temperature of 80°F (26.7°C) or less.

The table below lists the heater activation times for both normal and winter-cycle operation, grouped by ambient temperature.

Temperature Range in degrees Fahrenheit		Out of every ten seconds, the number of seconds the scanner heaters are active	
Low	High	Winter Cycle Disabled	Winter Cycle Enabled
--	16	4	8
17	35	3	7
36	51	2	2
52	80	1	1
80	--	Off	Off

The normal heater activation times aren't suitable for extremely cold climates, so the winter-cycle feature compensates for this. When this feature is disabled, the heater controls function normally. When enabled, the system increases the normal running time for the scanner heaters. The winter-cycle feature doesn't affect all the temperature ranges that the scanner heaters will activate on. It affects just the ones that are considered extremely cold.

a Select **Winter Cycle** from the Equipment Settings menu.

The winter-cycle setting toggles between enabled (YES) and disabled (NO). The Winter Cycle option on the Equipment Settings menu changes. The Equipment Settings menu reappears.

b Return to step 3.

14 To change the current **transducer-gain** setting:

The Equipment Settings menu shows whether the transducer-gain setting is normal or high. Regardless of the setting, the SmartScanNG² system starts every train with the transducer input comparator set to high mode. Then, if the train is traveling 20 mph (32 kph) or more and if the transducer gain was set to normal mode, the transducer input comparator switches to normal mode. This means that it is rarely necessary to set this option to high.

When the comparator is in high mode, the comparator converts lower voltage pulses from the transducer into output pulses. This causes the system to be more sensitive to transducer output. When the comparator is in normal mode, the comparator has a better chance of filtering transducer pulses not caused by a wheel.

a Select **Transducer Gain** from the Equipment Settings menu.

The transducer-gain setting toggles between **normal** and **high**. The Transducer Gain option on the Equipment Settings menu changes. The Equipment Settings menu reappears.

b Return to step 3.

15 To change the current **AEI** setting:

The Equipment Settings menu shows whether the AEI subsystem is enabled (YES) or disabled (NO). When tag readers and attendant antennas and cabling are present, this parameter should be set to YES, so that the system knows to configure the readers and to use the AEI data transmitted from them. When there is no installed AEI subsystem attached to the SmartScanNG² system, this parameter should be set to NO.


```

      .
      .
      .
[K] - Transducer Gain ..... Normal
[L] - AEI ..... NO
[M] - Resistor Test ..... Enabled
      .
      .
      .

```

- a** Select **AEI** from the Equipment Settings menu.

The AEI setting toggles between enabled (YES) and disabled (NO). The AEI option on the Equipment Settings menu changes. The Equipment Settings menu reappears.

- b** Return to step 3.

16 To change the current **resistor-test** setting:

The Equipment Settings menu shows whether the resistor-test setting is enabled or disabled.

After a train clears a site, the system does an integrity test (when enabled) to verify that the scanners are operational and that the system can read alarm level heat. This test consists of reading the temperature of power resistors (mounted to the back of the scanner shutters) after the shutters close. The recorded temperature of the shutter resistors is compared against expected values, which are calculated using a combination of the amount of time the shutters were open and the system battery voltage.

When the resistor integrity test is enabled, a system algorithm determines the minimum acceptable resistor temperature values for a given train. When disabled, the resistor integrity test is not performed.

The minimum required resistor temperatures for a given train are determined by the train's duration at the site and the resistor temperature baseline profile. This profile was established 20 minutes after the user calibrates the scanners with the autocalibration function. Twenty minutes is the cooling period required to allow the resistors to return to ambient temperature after autocalibration.

```

      .
      .
      .
[K] - Transducer Gain ..... Normal
[L] - AEI ..... NO
[M] - Resistor Test ..... Enabled
      .
      .
      .

```

- a** Select **Resistor Test** from the Equipment Settings menu.

The resistor-test setting toggles from enabled to disabled.

- b** Return to step 3.

17 To change the current value for **gate distance** (aka gate width):

The Equipment Settings menu shows the number of inches between the centers of the gating transducers.

```
      .  
      .  
      .  
[N] - Gate Distance ..... 24.0  
[O] - Dragger Debounce Time ..... 200 ms  
[P] - Pre Train Dragger Dist .... 200 ft  
      .  
      .  
      .
```

- a** Select **Gate Distance** from the Equipment Settings menu.

This prompt appears.

```
Gate Distance equipment setting (default = 0.0)  
Enter a value between 0.0 and 48.0:
```

The gate distance is in **nn.n** format. If the new value has less than three digits, type leading zeros, trailing zeros, or both. Thus, for 2, type **020**. The system inserts the decimal point for you. The gate distance (it is usually 24.0) can be recorded in 1/10-inch increments to reflect the actual transducer spacing. Accurate gating-transducer spacing results in accurate speed calculations.

- b** Type the three-digit number.

The Gate Distance option on the Equipment Settings menu changes. The Equipment Settings menu reappears.

- c** Return to step 3.

18 To change the **Dragger Debounce Time**:

- a** Select **Dragger Debounce Time** from the Equipment Settings menu.

This prompt appears.

```
Dragger Debounce Time equipment setting (default = 200 ms)  
Enter a value between 0 and 999:
```

If the new value has less than three digits, type leading zeros to make it three digits long or press [Enter] after typing one or two digits.

- b** Return to step 3.

19 To change the Pre Train Dragger Distance:

- a** Select **Pre Train Dragger Dist** from the Equipment Settings menu.

This prompt appears.

```
Pre Train Dragger Dist equipment setting (default = 200 ft)
Enter a value between 0 and 999:
```

If the new value has less than three digits, type leading zeros to make it three digits long or press [Enter] after typing one or two digits.

- b** Return to step **3**.

20 To change the **Hot Bearing** setting:

The Equipment Settings menu shows whether the Hot Bearing alarm detection is enabled (YES) or disabled (NO). When disabled, Hot Bearing alarms won't be announced nor stored. Since they aren't stored, they can't be printed. When enabled, Hot Bearing alarms will be announced and stored.

- a** Select **Hot Bearing** from the Equipment Settings menu.

The hot bearing setting toggles between active (YES) and inactive (NO). The Equipment Settings menu reappears.

- b** Return to step **3**.

21 To change the **Sun-Shot Override** setting:

- a** Select **Sun-Shot Override** from the Equipment Settings menu.

The setting toggles between active (YES) and inactive (NO). The Equipment Settings menu reappears.

- b** Return to step **3**.

22 To change the **Sun-Shot Ovrđ Start Date** setting:

- a** Select **Sun-Shot Ovrđ Start Date** from the Equipment Settings menu.

This prompt appears.

```
Sun-Shot Ovrđ Start Date equipment setting (default = 01/01)
Enter a date in the form DD/MM :
```

Enter new date including leading zeros and slash.

- b** Return to step **3**.

23 To change the **Differential** setting:

The Equipment Settings menu shows whether Differential alarm detection is enabled (YES) or disabled (NO). When disabled, Differential alarms won't be announced nor stored. When enabled, Differential alarms will be announced and stored.

- a** Select **Differential** from the Equipment Settings menu.

The Differential setting toggles between active (YES) and inactive (NO). The Equipment Settings menu reappears.

- b** Return to step **3**.

24 To change the **Presence Hardware** setting:

- a** Select **Presence Hardware** from the Equipment Settings menu.

The Presence Hardware setting toggles between active (Enabled) and inactive (Disabled). The Equipment Settings menu reappears.

- b** Return to step **3**.

4.2.7 Messages

To set or change any of the message parameters:

- 1 Be sure that the Setup Menu is displayed.

The Setup Menu looks like this.

```
SmartSCAN NG2, MP/KP:0128.7, Track:East
03/04/2021 11:43:12, 14.3V, 58°F
Setup Menu
-----
[A] - Date and Time
[B] - MP/KP
[C] - Track Designation ..... East
[D] - Track Direction ..... N/S
[E] - Alarm Settings
[F] - Equipment Settings
[G] - Messages Settings
[H] - AEI Settings
[I] - Load Default Setup Parameters
[J] - COM Port Settings
[K] - Network Settings
[L] - Velocity ..... Disabled
[M] - Multitech ..... Disabled
[X] - Exit
```

- 2 Select the Messages menu

A menu and prompt like this appears. The options on the Messages menu are used to affect the phrases broadcast to a passing train or are used to modify the parameters associated with the rebroadcast function.

```
Messages Settings
-----
[A] - Axles ..... YES
[B] - Speed ..... NO
[C] - Temperature ..... YES
[D] - Length ..... NO
[E] - Slow ..... YES
[F] - Power Off ..... YES
[G] - Repeat No Defects ..... YES
[H] - Cars Count ..... NO
[I] - Customer Name ..... YES
[J] - Arrival Message ..... YES
[K] - Lft/Rt Alarm Ref ..... YES
[L] - Car ID With Alarm ..... NO
[M] - Request EOT Timer ..... 10
[N] - Rebroad DTMF Code ..... 123
[O] - Announce Cold Rail ..... YES
[P] - Num EOT Repeats ..... 0
[Q] - EOT Repeat Delay ..... 15
[X] - Exit
```

Enabling one or more of these options generates the ancillary messages: A (axle count), B (train speed), C (site ambient temperature), D (train length), E (slow train), F (power off), and H (number of cars). The other options of the Messages menu aren't used to generate ancillary messages.

3 To leave the Messages menu and return to the Setup Menu:

- a** Press **[Esc]** or type **X**
The Setup Menu reappears.
- b** Skip the remaining steps.

4 To change the **announce-axles** setting:

The Messages menu shows whether the total axle count is to be part of (YES) or not part of (NO) post-train announcements. When the Highrange Transducer Miscounts alarm or Very Slow Train alarm occurs, the system won't announce axle count, even when this option is enabled.

```
Messages Settings
-----
[A] - Axles ..... YES
[B] - Speed ..... NO
[C] - Temperature ..... YES
      :
      :
```

- a** Select **Axles** from the Messages menu.
The announce-axles setting toggles between announce (YES) or not announce (NO). The Announce Axles option on the Messages menu changes. The Messages menu reappears.
- b** Return to step **3**.

5 To change the **announce-speed** setting:

The Messages menu shows whether the exit speed of the train is to be part of (YES) or not part of (NO) post-train announcements.

```
Messages Settings
-----
[A] - Axles ..... YES
[B] - Speed ..... NO
[C] - Temperature ..... YES
      :
      :
```

- a** Select **Speed** from the Messages menu.
The announce-speed setting toggles between announce (YES) or not announce (NO). The Announce Speed option on the Messages menu changes. The Messages menu reappears.
- b** Return to step **3**.

6 To change the **announce-temperature** setting:

The Messages menu shows whether the ambient temperature (taken at the site by the shielded temperature probe as the train leaves the site) is to be part of (YES) or not part of (NO) post-train announcements.

Messages Settings	

[A] - Axles	YES
[B] - Speed	NO
[C] - Temperature	YES
[D] - Length	NO
	⋮

a Select **Tempelrature** from the Messages menu.

The announce-temperature setting toggles between announce (YES) or not announce (NO). The Announce Temperature option on the Messages menu changes. The Messages menu reappears.

b Return to step 3.

7 To change the **announce-train-length** setting:

The Messages menu shows whether the train length is to be part of (YES) or not part of (NO) post-train announcements. When the Highrange Transducer Miscounts alarm or Very Slow Train alarm occurs, the system won't announce the length of train, even when this option is enabled.

Messages Settings	

[A] - Axles	YES
[B] - Speed	NO
[C] - Temperature	YES
[D] - Length	NO
[E] - Slow	YES
	⋮

a Select **Length** from the Messages menu.

The announce-train-length setting toggles between announce (YES) or not announce (NO). The Announce Train Length option on the Messages menu changes. The Messages menu reappears.

b Return to step 3.

8 To change the **announce-slow-train** setting:

The Messages menu shows whether a message indicating a slow train (one going 7 mph or slower) is to be part of (YES) or not part of (NO) post-train announcements.

a Select **Slow** from the Messages menu.

The announce-slow-train setting toggles between announce (YES) or not announce (NO). The Announce Slow Train option on the Messages menu changes. The Messages menu reappears.

b Return to step 3.

9 To change the **announce-power-off** setting:

The Messages menu shows whether the power-off message is to be part of (YES) or not part of (NO) post-train announcements. The generation of this message depends on battery voltage, not AC power. It is generated whenever the voltage coming from the battery is less than 12.6 VDC. AC power need never have been off to cause this to happen. However, most times it does indicate that AC power has been off, causing the battery to be drained.

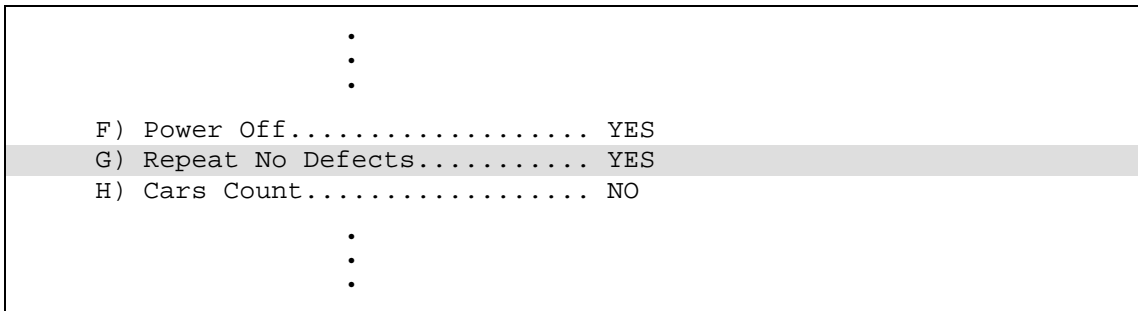
a Select **Power Off** from the Messages menu.

The announce-power-off setting toggles between announce (YES) or not announce (NO). The Announce Power Off option on the Messages menu changes. The Messages menu reappears.

b Return to step 3.

10 To change the **repeat-no-defect-message** setting:

The Messages menu shows whether the no-defect message is to be repeated (YES) or not repeated (NO).



a Select **Repeat No Defects** from the Messages menu.

The repeat-no-defect-message setting toggles between enabled (YES) and disabled (NO). The Repeat No Defects option on the Messages menu changes. The Messages menu reappears.

b Return to step 3.

11 To change the **announce-number-of-cars** setting:

The Messages menu shows whether the number of cars is to be part of (YES) or not part of (NO) post-train announcements.

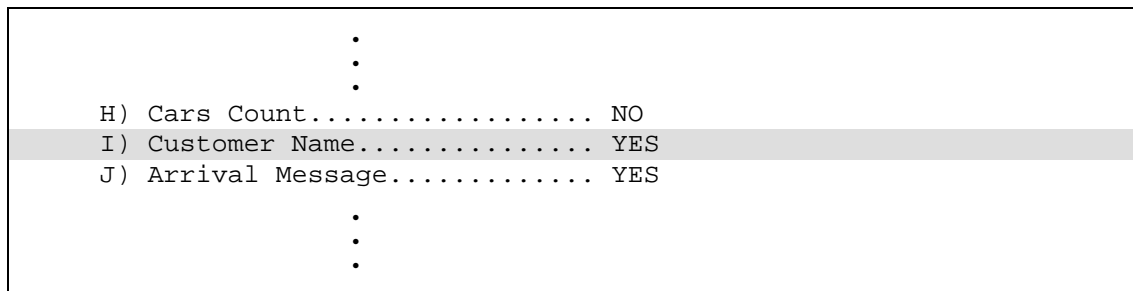
- a** Select **Cars Count** from the Messages menu.

The announce-number-of-cars setting toggles between announce (YES) or not announce (NO). The Announce Number of Cars option on the Messages menu changes. The Messages menu reappears.

- b** Return to step 3.

12 To change the **announce-customer-name** setting:

The Messages menu shows whether the customer's railroad name is to be part of (YES) or not part of (NO) of all announcements.



- a** Select **Customer Name** from the Messages menu.

The announce-customer-name setting toggles between announce (YES) or not announce (NO). The Announce Customer Name option on the Messages menu changes. The Messages menu reappears.

- b** Return to step 3.

13 To change the **announce-arrival-message** setting:

The Messages menu shows whether an arrival message announces (YES) or doesn't announce (NO) train arrival at the site.

- a** Select **Arrival Message** from the Messages menu.

The announce-arrival-message setting toggles between announce (YES) or not announce (NO). The Announce Train Arrival option on the Messages menu changes. The Messages menu reappears.

- b** Return to step 3.

14 To change the **left-right-alarm-reference** setting:

The Messages menu shows whether the alarm reference is announced as left or right (YES) or as north, south, east, or west (NO).

- a** Select **Lft/Rt Alarm Ref** from the Messages menu.

The left-right-alarm-reference setting toggles between YES and NO. The Announce Left-Right Alarm Reference option on the Messages menu changes. The Messages menu reappears.

- b** Return to step 3.

15 To change the **announce-car-identification** setting:

The Messages menu shows whether car-identification information is to be announced (YES) or not announced (NO). When this option is set to YES and an Exception Alarm is found on a car, the car-identification information is included in the post-train announcement for the train having the Exception Alarm. This, of course, will only happen if the AEI option on the Equipment Settings menu is enabled (YES) and the AEI subsystem is functioning properly during train passage.

```
      .
      .
      .
[L] - Car ID With Alarm ..... NO
[M] - Request EOT Timer ..... 10
[N] - Rebroad DTMF Code .....
[O] - Announce Cold Rail ..... YES
[P] - Num EOT Repeats ..... 2
[Q] - EOT Repeat Delay ..... 15
[X] - Exit
```

- a** Select **Car ID With Alarm** from the Messages menu.

The announce-car-identification setting toggles between enabled (YES) and disabled (NO). The Announce Car Identification option on the Messages menu changes. The Messages menu reappears.

- b** Return to step 3.

16 To change the **repeat-EOT-message-timeout-period** setting:

The Messages menu shows a value for the repeat-timeout-period setting. If a nonzero value is shown, the value is the number of minutes that you have to request a repeat of the last end-of-train (EOT) message. If zero is shown, the last EOT message is always available for rebroadcast. The train crew makes the actual request for rebroadcast. The repeated message has the word "rebroadcast" at the beginning and end of the message.

- a** Select **Request EOT Timer** from the Messages menu.

This prompt appears.

```
Request EOT Timer message setting (default = 10)
Enter a value between 0 and 999:
```

If the new limit has less than three digits, type leading zeros.

- b** Type the three-digit value.

If you type 000, the last EOT message is always available for rebroadcast. If you type 240, the train crew has four hours (that is, 240 minutes) to request a repeat of the last EOT message.

- c** Return to step 3.

17 To change the **rebroadcast-DTMF-code** setting:

The Messages menu shows the rebroadcast-DTMF-code setting. The stored DTMF code is the touchtone digits that trigger a rebroadcast. Up to three digits may be entered into this setup parameter. The SmartScanNG² system monitors radio traffic. When it receives the proper DTMF code, it will rebroadcast the last end-of-train message, provided the request EOT timer hasn't expired.

```
      .
      .
[M] - Request EOT Timer ..... 10
[N] - Rebroad DTMF Code .....
[O] - Announce Cold Rail ..... YES
[P] - Num EOT Repeats ..... 2
[Q] - EOT Repeat Delay ..... 15
[X] - Exit
```

- a** Select **Rebroad DTMF Code** from the Messages menu.

This prompt appears.

```
Rebroad DTMF Code message setting (default = )
Enter a dtmf code (Esc to clear):
```

- b** Type the new DTMF code or press **[Esc]**.
- c** If you typed one or two digits, press **[Enter]**.

The Rebroadcast DTMF Code option on the Messages menu changes and the Messages menu reappears. If you typed only nondigits and then pressed **[Enter]**, the rebroadcast function would be turned off.

- d** Return to step 3.

18 To change the **number-of-repeats** setting:

The Messages menu shows a value for how many times the EOT announcement should be repeated. Valid values range from 0 through 5. When set to zero, the EOT announcement is spoken once with no repeats. When set to five, the EOT announcement is spoken once with five repeats for a total number of six times.

```
      .
      .
[M] - Request EOT Timer ..... 10
[N] - Rebroad DTMF Code .....
[O] - Announce Cold Rail ..... YES
[P] - Num EOT Repeats ..... 2
[Q] - EOT Repeat Delay ..... 15
[X] - Exit
```

- a Select **Num EOT Annc Repeats** from the Messages menu.

This prompt appears.

```
Num EOT Repeats message setting (default = 2)
Enter a value between 0 and 5:
```

- b To not change the value, press **[Esc]** and return to step 3.

- c Type a digit less than 6.

All typed nondigits are ignored.

If you type a value greater than 5, this error message and prompt appear.

```
Invalid value specified
```

If you type an acceptable value, the Number of Repeats option on the Messages menu changes, and the Messages menu reappears.

- d If you get an error message, return to step b.
- e If you don't get an error message, return to step 3.

19 To change the time-between-repeats setting:

The Messages menu shows a value for how many seconds should elapse between EOT announcement repeats. Valid values range from 0 through 360.

```
      .
      .
      .
[P] - Num EOT Repeats ..... 2
[Q] - EOT Repeat Delay ..... 15
[X] - Exit
```

- a Select **EOT Repeat Delay** from the Messages menu.

This prompt appears.

```
EOT Repeat Delay message setting (default = 15)
Enter a value between 0 and 999:
```

If the new value has less than three digits, type leading zeros to make it three digits long or press **[Enter]** after typing one or two digits.

- b To not change the value, press **[Esc]** and return to step 3.

4.2.8 AEI Reader Parameters

The AEI reader parameters directly affect how the AEI readers operate to acquire tags while a train is passing the site.

To set or change any of the AEI reader parameters:

- 1 Be sure that the Setup Menu is displayed.

The Setup Menu looks like this.

```
      .
      .
[G] - Messages Settings
[H] - AEI Settings
[I] - Load Default Setup Parameters
      .
      .
```

- 2 Select **AEI Settings** to access menu options.

```
AEI Settings
-----
[A] - ID Separation ..... 2 IDs
[B] - Consecutive Reads ..... 2 Reads
[C] - MPRR Frequency ..... 915.000 MHz
[D] - MPRR Attenuation ..... 0
[E] - Multi-Track Tag Filter ... Disable
[F] - AEI Reader Interface
[X] - Exit
```

ID Separation specifies the number of intervening tags that must be read and reported before a given tag is reported again. Valid values are 1, 2, 3, and 4. The default is 2.

Consecutive Reads specifies the number of times that a tag must be read before it is considered a valid (reportable) tag. Valid values are 1, 2, 3, and 4. The default is 2.

MPRR Frequency specifies the transceiver frequency of the MPRR reader.

MPRR Attenuation sets the RF attenuation in 1 dB increments over a range of 10 dB from a maximum output of 2 W at 0-dB attenuation to a minimum of 200 mW output at 10-dB attenuation.

The **Multi-Track Tag Filter**, when enabled, uses firmware algorithms to filter cross-track reads based on appended timestamps and tag data shared from adjacent readers.

The **AEI Reader Interface** allows for direct communication with the AEI reader and is used primarily for diagnostic purposes.

- 3 To change the **ID Separation** parameter:

Select the **ID Separation** option to toggle from 1 to 2, from 2 to 3, from 3 to 4, or from 4 to 1.

- 4 To change the **Consecutive Reads** parameter:
Select the **Consecutive Reads** option to toggle from 1 to 2, from 2 to 3, from 3 to 4, or from 4 to 1.

- 5 Select the **MPRR Frequency** setting to change the operating frequency.

This message appears.

```
Select a frequency:
[A] - 903.750 MHz
[B] - 911.500 MHz
[C] - 915.000 MHz
[D] - 918.500 MHz
[E] - 921.500 MHz
```

Enter frequency selection. The AEI Reader Parameters menu reappears.

- 6 Select **MPRR Attenuation** to attenuate the RF output signal.

This message appears.

```
MPRR Attenuation AEI setting (default = 0)
Enter a value between 0 and 10:
```

Enter a value “NN” (between 1 and 10), including leading zeros. This parameter sets the RF attenuation in 1 dB increments over a range of 10 dB from a maximum output of 2 W at 0-dB attenuation to a minimum of 200 mW output at 10-dB attenuation.

- 7 Select **Multi-Track Tag Filter** to toggle between **Enabled** and **Disable**.

When enabled, firmware algorithms are utilized to filter out cross-track reads.

- 8 To enter the **AEI reader interface**, select the option.

This message appears.

```
Entering AEI Reader Interface
<Type EXIT to quit>
```

- 9 To leave the AEI reader interface:

- a Type **EXIT**
- b Press **[Enter]**.

- 10 To leave the AEI Reader Parameters menu and return to the Setup Menu, type **X**

This prompt appears.

```
Initialize Reader now (Y/N)
```

- 11 To initialize the reader, type **Y**

The Setup Menu reappears.

- 12 To not initialize the reader, type **N**

The Setup Menu reappears.

4.2.9 Load Default Setup Parameters

An option to load default setup parameters was included to assist installers in setting up a new system. When this menu item is selected, the parameters listed below are assigned the values listed below. A "yes" after a parameter means that it is "enabled." A "no" means that it is "disabled."

Alarm Settings	

Absolute.....	180
Hot Wheel.....	650
Carside Minimum.....	90
Cold Rail Temp.....	10
Res Test: Minimum Rail Avg.....	25
Differential.....	130
Carside Slope.....	1.60
Cold Rails.....	1
Cold Res Counter.....	3
Res Test: Minimum Wheel Avg.....	28
Equipment	

Dragger.....	YES
Wide Load.....	NO
Differential.....	Disabled
Hot Wheel.....	NO
Clearance Mode.....	Multiplexed
Transducer Gain.....	Normal
Resistor Test.....	Enabled
Gate Distance.....	24.0 inches
High Load.....	NO
High/Wide Alarm Direction.....	Both
Carside Slope.....	YES
Clearance Type.....	Trip Wire
Winter Cycle.....	NO
AEI.....	NO
Presence Hardware.....	Enabled
Selected Modem.....	n/a
Messages	

Axles.....	YES
Temperature.....	YES
Slow.....	YES
Repeat No Defects.....	YES
Customer Name.....	YES
Lft/Rt Alarm Ref.....	NO
Request EOT Timer.....	10
Num EOT Annc Repeats.....	0
Speed.....	NO
Length.....	NO
Power Off.....	YES
Cars Count.....	NO
Arrival Message.....	n/a
Car ID With Alarm.....	NO
Rebroadcast DTMF Code....	[empty string]
EOT Annc Repeat Delay (Secs)...	10
AEI Reader Parameters	

ID Separation.....	2 IDs
Consecutive Reads....	2 Reads
Tag Reader Type.....	None
MRRR Frequency.....	915.000 MHz
MRRR Attenuation...	0

To load the default setup parameters:

- 1 Be sure that the Setup Menu is displayed.

The Setup Menu looks like this.

```
      .  
      .  
      .  
[I] - Load Default Setup Parameters  
[J] - COM Port Settings  
[K] - Network Settings  
[L] - Velocity ..... Disabled  
[M] - Multitech ..... Disabled  
[X] - Exit
```

- 2 Select **Load Default Setup Parameters**.

This prompt appears.

```
This will save the settings.  
Are you sure? (y/n)
```

- 3 To not load default setup parameters:

Type **N**

This message appears followed by the Setup Menu.

```
Settings will not be saved
```

- 4 To load default setup parameters:

Type **Y**

This message appears followed by the Setup Menu.

```
Saving settings  
Settings saved
```

Loading takes about a second. When finished, the Setup Menu reappears.

4.2.10 COM1, COM2, COM3, COM4, COM5, & COM6

To change the parameters for serial port **COMx**:

- 1 Be sure that the Setup Menu is displayed.

The Setup Menu looks like this.

```
      .
      .
      .
[I] - Load Default Setup Parameters
[J] - COM Port Settings
[K] - Network Settings
[L] - Velocity ..... Disabled
[M] - Multitech ..... Disabled
[X] - Exit
```

- 2 Select the COM Port Settings submenu to view options.

```
COM Port Settings
-----
[A] - COM1 115200 N-8-1
[B] - COM2 115200 N-8-1
[C] - COM3 19200 N-8-1
[D] - COM4 115200 N-8-1
[E] - COM5 115200 N-8-1
[F] - COM6 115200 N-8-1
[X] - Exit
```

Select the **COMx** option to modify current settings.

```
Uart Settings
-----
[A] - Baud Rate ..... 115200
[B] - Parity ..... None
[C] - Stop Bits ..... 1
[D] - Data Bits ..... 8
[E] - TX Flow Control ..... None
[F] - RX Flow Control ..... None
[X] - Exit
```

- 3 To change the **Baud Rate**, select the option to incrementally step through the selection options. Available settings are: 150, 300, 600, 1200, 2400, 4800, 9600, 19200, 38400, 57600, and 115200.
- 4 To change the **Parity** setting, select the option to incrementally step through selection options. Available settings are None, Multi, Odd, and Even.
- 5 To change the **Stop Bits** setting, select the option to step through the available options of 0, 1, or 2.
- 6 To change the **Data Bits** setting, select the option to incrementally step through available options of 0, 1, 2, 3, 4, 5, 6, 7, or 8.
- 7 To change Flow Control setting, select option to incrementally step through available options of None, HW (hardware), or SW (software).

- 8 If you are done changing the parameters for **COMx**, type **X**
The Setup Menu reappears.

4.2.11 Network Settings

To change the **Network Settings**:

- 1 Be sure that the Setup Menu is displayed.

The Setup Menu looks like this.

```
      .  
      .  
      .  
[I] - Load Default Setup Parameters  
[J] - COM Port Settings  
[K] - Network Settings  
[L] - Velocity ..... Disabled  
[M] - Multitech ..... Disabled  
[X] - Exit
```

- 2 Select the **Network Settings** menu.

A menu and prompt like this appears. To access/change any of the menu options, type the letter that corresponds to the desired setting.

```
Network Settings  
-----  
[A] - Ext. interface ..... 192.168.1.101  
[D] - Use Wifi ..... No  
[E] - HTTP port ..... 80  
[F] - HTTPS port ..... 8080  
[G] - FTP port ..... 21  
[H] - TELNET port ..... 23  
[I] - Wifi name ..... NG2 Wifi  
[J] - Load default network settings  
[X] - Exit
```

4.2.12 Velocity and Multitech Settings

To change the **Velocity** or **Multitech** setting:

- 1 Be sure that the Setup Menu is displayed.

The Setup Menu looks like this.

```
      .
      .
      .
[K] - Track Designation ..... North
[L] - Velocity ..... Disabled
[M] - Multitech ..... Disabled
[X] - Exit
```

- 2 Select the menu option to incrementally step through available settings of Disabled, COM2, COM3, COM4, or COM6.

4.3 System Functions Menu

To execute one or more system functions:

- 1 Be sure that the Main Menu is displayed.

The Main Menu looks like this.

```
      .
      .
      .
[I] - Setup
[J] - Event log
[K] - System Functions Menu
[L] - Replay train
[M] - Security Menu
[X] - Exit
```

2 Select the System Functions menu.

A menu and prompt like this appears. To access any of the System Functions menu options, type the letter that corresponds to the desired menu option.

```
System Functions Menu
-----
[A] - Radio Test
[B] - Vocabulary Test
[C] - Radio Inhibit
[D] - Start Manual Train
[E] - 1KHz Test Tone
[F] - Auto-Calibration
[G] - Reboot System
[H] - Delete All Stored Train Data
[I] - Clear Event Log
[K] - Update Menu
[L] - Maintenance Menu
[M] - Volume up (3)
[N] - Volume down (3)
[O] - Web security settings
[X] - Exit
```

If a train is at the site when the System Functions menu is generated, "***** Train Is Present *****" is displayed just above the menu header for the System Functions menu. During that time, if you select any item on the System Functions menu, you will be prompted with "**Train Is Present. Continue?**" You must type **Y** to continue. Note that most items on the Systems Functions menu should not be performed while a train is present at the site.

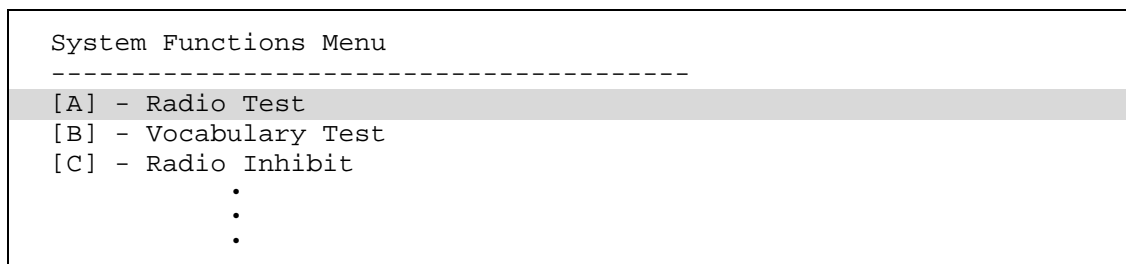
3 To leave the System Functions menu and return to the Main Menu:

- a Type **X**
The Main Menu reappears.
- b Skip the remaining steps.

4 To execute the **radio test**:

The Radio Test option is used to broadcast a short message through the speaker and through the radio. Using this option lets you verify that the speaker and radio are working properly.

At single-track sites, the text of the message is "Testing, Alaska Rail, milepost, (*milepost number*), testing, one, two, three, four, five, four, three, two, one, testing." At double-track sites, the text of the message is "Testing, Alaska Rail, milepost, (*milepost number*), track (*track designation*), testing, one, two, three, four, five, four, three, two, one, testing."



- a** Select **Radio Test** from the System Functions menu.

If the system isn't currently making any other voice announcements, it begins the Radio Test announcement. After the announcement finishes, the System Functions menu reappears.

If the system is currently making a voice announcement, the firmware displays the message "System Is Currently Making Voice Announcements! Try Again Later" and redisplay the System Functions menu.

- b** While listening to the message, look at the PTT LED on the display panel.

The **PTT LED** should be lit.

If this LED isn't lit, the system's ability to send a message to the radio might be inhibited by the Radio Inhibit option on the System Functions menu. If the radio is inhibited, the results of this check are invalid.

- c** Return to step **3**.

5 To execute the **vocabulary test:**

The Vocabulary Test option is used to enunciate all stored speech phrases. This announcement is broadcast through the speaker, but not through the radio. Therefore, it isn't affected by the Radio Inhibit option being enabled.

The text of the message is "zero, one, two, three, four, five, six, seven, eight, nine, not-working, **beep**, Alaska Rail, milepost, main-3, system-working, no-defects, main-1, main-2, rebroadcast, hotwheel, defect, axle, dragging-equipment-near, north, south, rail, east, west, track, car-I-D, no, hotbox, high-wide, near, you-have-a-defect, testing, train too slow, total axles, speed, temperature, length, minus, point, middle, high-load, wide-load, power-off, excess-alarms, repeat, total-cars, detector-out, A, B, C, D, E, F, G, H, I, J, K, L, M, N, O, P, Q, R, S, T, U, V, W, X, Y, Z, first, second, third, fourth, left, right, side, load, scanner resistor test, beginning in, minutes."

```
System Functions Menu
-----
[A] - Radio Test
[B] - Vocabulary Test
[C] - Radio Inhibit
      .
      .
      .
```

a Select **Vocabulary Test from the System Functions menu.**

If the system isn't currently making any other voice announcements, it begins the Vocabulary Test announcement. After the announcement finishes, the System Functions menu reappears.

If the system is currently making a voice announcement, the firmware displays the "System Is Currently Making Voice Announcements! Try Again Later" message and the System Functions menu reappears.

b Return to step 3.

6 To execute the **radio inhibit:**

The Radio Inhibit option is used to prevent radio activation for three minutes. During this time, any announcements generated by the system are broadcast through the speaker, but not through the radio. This feature may be overridden by recalling this submenu and then typing **N**.

```
System Functions Menu
-----
[A] - Radio Test
[B] - Vocabulary Test
[C] - Radio Inhibit
      .
      .
      .
```

- a** Select **Radio Inhibit** from the System Functions menu.

This prompt appears.

```
PTT disabled for 3 minutes
```

- b** Select Re-enable radio PTT to disable Radio Inhibit.

```
System Functions Menu
-----
[A] - Radio Test
[B] - Vocabulary Test
[C] - Re-enable radio PTT
      .
      .
```

- c** Return to step 3.

- 7** To initiate the **Start Manual Train** function:

In Manual Train Mode, the system opens all the shutters and simulates transducer pulses for about one minute. During this time, a person can check various aspects of the installed components. In this mode, the system runs the ramp function without generating heats. The train is marked as a test train. There won't be any voltage applied to the scanner inputs.

This is a timed test that should gate approximately 164 simulated axles. You can stop this test by selecting the Stop Manual Train option.

The data generated for this test train is stored in the Test Train directory, which contains data on the last test train only. The Last Test Train report gets its data from this directory.

```
System Functions Menu
-----
[A] - Radio Test
[B] - Vocabulary Test
[C] - Radio Inhibit
[D] - Start Manual Train
[E] - 1KHz Test Tone
      .
      .
```

- a** Select **Start Manual Train** from the System Functions menu.

This prompt appears.

```
Train Arrival
```

There will be an arrival message broadcast through the speaker only. During test train, the TO1 & TO2 LEDs on the Display Panel will flash with each simulated axle.

After about a minute, this prompt appears and the post train announcements will be broadcast over the speaker.

Train Departure

b Return to step 3.

8 To generate the **1KHz test tone**:

The 1KHz Test Tone option is used to generate a continuous 1KHz tone for about 5 seconds. This test tone is to broadcast through the speaker and through the radio.

a Select **1KHz Test Tone** from the System Functions menu.

If the system isn't currently making any other voice announcements, it begins the tone.

If the system is currently making a voice announcement, the firmware displays the message "System Is Currently Making Voice Announcements! Try Again Later" and redisplay the System Functions menu.

b While listening to the tone, look at the PTT LEDs on the display panel.

The **PTT LED** should be lit.

If this LED isn't lit, the system's ability to send a tone to the radio might be inhibited by the Radio Inhibit option on the System Functions menu. If the radio is inhibited, the results of this check are invalid.

c Return to step 3.

9 To start **Auto-Calibration**:

The SmartScanNG² system self-calibrates its pyrometer interface circuitry. You need only put a preheated calibrated heat source on a scanner and place the system in autocalibration mode by using the Auto-Calibration option. The system then scans all pyrometer inputs until the signal from the calibrated heat source is located. The necessary adjustments to the related interface circuitry are automatically made while the system monitors its own progress by analyzing changes in the heat signals. Once the procedure has been completed, autocalibration mode is disengaged and the calibration results are displayed on your computer. For more details, see **Appendix F & G - Calibration of Type2/Type3 Scanners**.

a Place a preheated calibrated heat source on the scanner to be calibrated.

b Select **Auto-Calibration** from the System Functions menu.

The SmartScanNG² system will now calibrate the channel associated with the scanner on which the heat source has been placed. Follow along on your interface screen until you see "Auto-Calibration Disengaged." This message is an indication that the system is done with the calibration procedure. To abort the process, press **[Esc]** (on your computer) or remove the heat source (from the scanner).

c When "Auto-Calibration Disengaged" is displayed on your computer, remove the calibrated heat source.

Upon completion of autocalibration, the system acquires the scanner resistor temperature baseline values. The process begins with a 20-minute wait period in which the resistors are allowed to cool down. The system counts down during this period, sounding a tone each minute. After the 20-minute cooldown period, the system opens and closes the shutters for a period of 8 minutes.

d Return to step **3**.

10 To force a **system reset**:

The Remote System Reset option allows you to force a system reset through a remote connection. It can also be used locally.

a Select **Remote System RESET** from the System Functions menu.

This prompt appears.

```
Remote System RESET
Are you sure? (y/n)
```

b To not reset the system:

- Type **N**

The System Functions menu reappears.

- Return to step **3**.

c To reset the system, type **Y**

This message appears.

```
Restarting in 2 seconds
Waiting 2sec to start 'A' to abort
Configured IP = 0.0.0.0
Configured Mask = 0.0.0.0
MAC Address= 00:03:f4:08:8c:fe

Comm is booting...
Starting telnet task on port 23... running.

The system has finished booting.
```

After a few seconds, the Main Menu reappears.

d Return to step **3**.

11 To delete all stored train data:

The Delete All Stored Train Data option allows you to erase all stored train data. This encompasses all data on the trains in the Trains directory, Exceptions directory, and Test Train directory. After deleting all the train data, there isn't any way of regenerating it. The data is gone forever.

```
      .  
      .  
[G] - Reboot System  
[H] - Delete All Stored Train Data  
[I] - Clear Event Log  
[K] - Update Menu  
      .  
      .
```

- a Select **Delete All Stored Train Data** from the System Functions menu.

This prompt appears.

```
Are you sure? (y/n)
```

- b To not delete all stored train data:

- Type **N**

The System Functions menu reappears.

- Return to step 3.

- c To delete all stored train data, type **Y**

This message appears.

```
Train data cleared.
```

- d Return to step 3.

12 To delete all events stored in the Event Log:

The Clear Event Log option is used to erase all events stored in the Event Log and displayed on the Event Log report. After deleting the log, there isn't any way of regenerating it. The data is gone forever.

```
      .  
      .  
[G] - Reboot System  
[H] - Delete All Stored Train Data  
[I] - Clear Event Log  
[K] - Update Menu  
      .  
      .
```

- a Select **Clear Event Log** from the System Functions menu.

This prompt appears.

```
Are you sure? (y/n)
```

b To not delete all events stored in the Event Log:

- Type **N**

The System Functions menu reappears.

- Return to step **3**.

c To delete all events stored in the Event Log, type **Y**

The System Functions menu reappears.

d Return to step **3**.

13 Update Menu:

```
      .
      .
[G] - Reboot System
[H] - Delete All Stored Train Data
[I] - Clear Event Log
[K] - Update Menu
      .
      .
```

a Select **Update Menu** from the System Functions menu.

This prompt appears.

```
Update Menu
-----
[A] - Select Update File
[X] - Exit
```

b Choose the **Select Update File** from the Update Functions menu.

This prompt appears.

```
Select update file:
[A] - ARR_00-69.ng
[B] - ARR_00-70.ng
```

d Select appropriate file from menu options.

14 To view maintenance menu:

```
      :
[L] - Maintenance Menu
[M] - Volume up (3)
[N] - Volume down (3)
[O] - Web security settings
[X] - Exit
```

Select the **Maintenance Menu** from the System Functions menu.

A prompt like this appears.

```
Maintenance Menu
-----
[A] - View maintenance statistics
[B] - Reset System Health
[C] - Maintenance email list
[X] - Exit
```

15 To view maintenance statistics:

Select the **View Maintenance Statistics** option from the maintenance menu.

Information like this is displayed.

```
Maintenance information gathered over 1 days
Positive numbers indicate an increase, negative indicates a decrease.
-----
```

Metric (per day)	percent change	Weighted value	Limit	Problem
Number of Trains	0	(0.000000)	0	No
Low Miscount	0	(0.000000)	50	No
High Miscount	0	(0.000000)	50	No
Average Temperature 0	0	(0.000000)	50	No
Average Temperature 1	0	(0.000000)	50	No
Average Temperature 2	0	(0.000000)	50	No
Average Temperature 3	0	(0.000000)	50	No
Cold Rail 0	0	(0.000000)	50	No
Cold Rail 1	0	(0.000000)	50	No
Cold Rail 2	0	(0.000000)	50	No
Cold Rail 3	0	(0.000000)	50	No
Average miscount	0	(0.000000)	0	No
Average voltage percentage	0	(0.000000)	0	No

16 To reset system health:

```
Maintenance Menu
-----
[A] - View maintenance statistics
[B] - Reset System Health
[C] - Maintenance email list
[X] - Exit
```

- a** Select **Reset System Health** from the Maintenance menu.

A prompt like this appears.

```
Are you sure? (y/n)
```

- b** To not reset system health:

- Type **N**

The Maintenance Menu reappears.

- c** To reset system health, type **Y**. This prompt appears.

```
System health cleared
```

The Maintenance Menu reappears.

17 To access **Maintenance email list**:

```
Maintenance Menu
-----
[A] - View maintenance statistics
[B] - Reset System Health
[C] - Maintenance email list
[X] - Exit
```

- a** Select **Maintenance email list** from the Maintenance menu.

A prompt like this appears.

```
Maintenance email list
-----
[A] - user@southern-tech.com
[P] - New email address
[X] - Exit
```

- b** Select **New email address** to add a new address or select existing address to edit or delete from list.

- c** Type **X** to return to the Maintenance menu.

18 To adjust speaker volume:

```
      .  
      .  
      .  
[O] - Volume up (3)  
[P] - Volume down (3)  
[Q] - Web security settings  
[X] - Exit
```

There are 10 selectable volume levels (0-9). Level-0 is minimum volume and Level-9 is the maximum volume. The current volume setting is indicated in parenthesis.

- a From the System Functions menu, select **Volume up** to increment current volume level or **Volume down** to decrement level.
- b Return to step 3.

19 To change or view **Web security settings**:

```
      .  
      .  
      .  
[O] - Volume up (3)  
[P] - Volume down (3)  
[Q] - Web security settings  
[X] - Exit
```

- a Select **Web security settings** from the System Functions menu.

A prompt like this appears.

```
Web Security Settings  
-----  
[A] - Train Summary ..... Anyone  
[B] - Train Detail ..... Anyone  
[C] - View Setup ..... Anyone  
[D] - Change Setup ..... Anyone  
[E] - System Update ..... Anyone  
[X] - Exit
```

Security settings for each function include **Anyone**, **User**, **Admin**, and **Restricted**. Selecting the menu option repeatedly will step through all possible security settings.

- b Type X to return to the System Functions menu.
- c Return to step 3.

4.4 Replay EOT Announcement

The EOT message for every train that is stored in longterm memory can be replayed through the local speaker. The replaying of the EOT message does not activate the PTT so it isn't broadcast over the radio.

To replay the train announcement for a given train:

- 1 Be sure that the Main Menu is displayed.

The Main Menu looks like this.

```
SmartSCAN NG2
02/10/2021 16:26:42 EST
Main Menu - Comm
-----
[A] - Train Summary
[B] - Train Detail
[C] - Exception Summary
[D] - Exception Detail
[E] - System Status Report
[F] - Last Train
[G] - Train DSRs
[H] - AEI Diagnostic
[I] - Setup
[J] - Event log
[K] - System Functions Menu
[L] - Replay train
[M] - Security Menu
[X] - Exit
```

- 2 Select **Replay train**.

This prompt appears.

```
Enter train number:
```

- 3 Type the train number.

If you typed a three-digit valid train number, you'll hear the EOT announcement through the speaker.

- 4 If you typed one or two digits, press **[Enter]**.

If the typed train number is valid, pressing **[Enter]** produces the announcement.

4.5 System Security

This menu is only available during the initial setup or when logged in with an administrative password.

To view or change system security settings:

Be sure that the Main Menu is displayed.

The Main Menu looks like this.

```
SmartSCAN NG2
02/10/2021 16:26:42 EST
Main Menu - Comm
-----
[A] - Train Summary
[B] - Train Detail
[C] - Exception Summary
[D] - Exception Detail
[E] - System Status Report
[F] - Last Train
[G] - Train DSRs
[H] - AEI Diagnostic
[I] - Setup
[J] - Event log
[K] - System Functions Menu
[L] - Replay train
[M] - Security Menu
[X] - Exit
```

Select the **Security Menu**. This menu/prompt appears.

```
Security Menu
-----
[A] - Admin password not set
[B] - User password not set
[C] - Change wifi password
[X] - Exit
```

System login with an administrative password allows all access to system menus.

System login with user password allows access to report menus and system functions menu but restricts access to the Setup Menu and security menu.

Select an option to set or change the password.

```
Enter a new password (20 character maximum):
```


4.6 Enter Pass-Through Mode (currently in development)

Pass-through mode allows you to access two or more SmartScanNG² systems with one modem. To make this happen:

- At double-track sites, attach a serial cable from COM4 of system1 to COM1 of system2. System1 is the one with the telephone line attached and the modem installed.
- Dial into system1.
- Keep selecting pass-through mode from the Main Menu until the system you want to communicate with is reached.

To use pass-through mode at a double-track site:

- 1 Be sure that the Main Menu for system1 is displayed.

The Main Menu looks like this.

```
      .
      .
      .
[K] - System Functions Menu
[L] - Replay train
[M] - Security Menu
[N] - Enter Pass-Through Mode
[X] - Exit
?
```

- 2 Select **Enter Pass-Thru Mode**.

If there is a response from SmartScanNG² on COM4 within five seconds, this message appears.

```
Entering Pass-Thru Mode.
```

If there isn't a response from the SmartScanNG² on COM4 within five seconds, this message appears, followed by the reappearance of the Main Menu.

```
COM4 does not have a detector attached serially!
```

- 3 After receiving the "entering pass-thru mode" message, to display the Main Menu for system2, press **[Esc]**.

You can now communicate with system2.

- 4 To return to system1, from the Main Menu, type **X**

Upon leaving system2, this message appears, followed by the Main Menu for system1.

```
Leaving Pass-Thru Mode.
```


5.0 Web User Interface

The web interface allows **on-site** and **off-site** communications with the system. This interface allows the user to view reports and to modify system parameters.

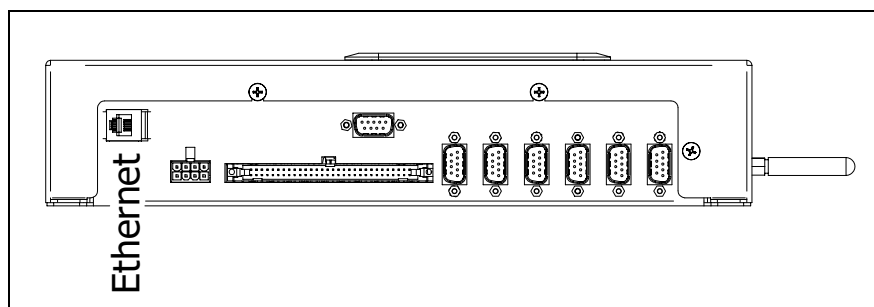
For remote access via web browser:

- A computer with internet connectivity
- A SmartScanNG² with Ethernet connectivity

The SmartScanNG² web interface provides:

- Train Summary report
- Train Detail reports
- System Status report
- System configuration
- Event Log report
- Maintenance Information
- System Functions
- Software update
- Auto Calibration

To connect to the SmartScanNG² remotely with a web browser, the controller module must have Ethernet connectivity routed to the RJ45 connector as shown below.



To view the web page for your SmartScanNG², open a web browser on your computer. Enter the unit's IP address into the address bar of your browser. Login with a username and password. See example below. The contents of your web page will be similar.

The screenshot shows the SmartScanNG² web interface. At the top, it displays 'Milepost: 0128.7 Track: East 03-04-2021, 16:31' and 'Battery: 14.0V Temp.: 64F'. A yellow notification bar says 'A Train Is Present'. Below this are navigation tabs: Train Data, System Status, Configuration, Logs, Maintenance Info, System Functions, Software Update, and Auto Cal. The 'Train Data' tab is active, showing 'Train Summary Data (Trains Stored: 100)' with a 'Refresh' button. A legend indicates 'Axle Alarms' (yellow), 'Integrity Failures' (red), 'System Alarms' (blue), and 'DSR Records' (plus icon). The table below lists train data with columns for Trn#, Date, Time, Cars, Axles, TO1, TO2, Dir, Speed (Min, Max, Exit), Bearing Avg (East, West), Bearing Max (East, West), AEI (Tags), Temp, Bat, and Alarms. A 'More' button is at the bottom of the table.

Trn#	Date	Time	Cars	Axles	TO1	TO2	Dir	Speed			Bearing Avg		Bearing Max		AEI Tags	Temp	Bat	Alarms
								Min	Max	Exit	East	West	East	West				
137	03/04/21	14:24	23	156	156	156	N	5	17	17	3	6	17	18	46	+64F	14.1v	
+136	03/04/21	12:19	56	420	420	420	N	5	30	5	12	16	38	43	110	+59F	14.2v	
135	03/04/21	11:20	45	208	208	208	N	4	11	11	5	7	23	24	90	+57F	14.3v	
134	03/04/21	07:31	8	40	40	44	N	3	5	3	4	8	15	19	18	+31F	14.5v	
133	03/04/21	07:20	140	580	580	580	N	3	21	3	5	8	22	23	274	+31F	14.5v	
132	03/04/21	06:03	90	366	366	366	N	12	27	12	9	13	27	31	180	+31F	14.5v	
131	03/04/21	05:45	109	452	452	452	N	24	29	27	16	20	38	48	218	+31F	14.5v	
130	03/04/21	01:17	41	260	260	260	N	37	45	37	22	26	42	55	77	+36F	14.3v	
129	03/04/21	00:32	182	740	740	740	N	36	43	41	19	22	50	53	358	+37F	14.3v	
128	03/03/21	22:09	65	450	450	450	N	21	28	26	13	17	40	56	193	+44F	14.0v	
127	03/03/21	21:01	117	478	478	478	N	20	25	25	18	22	42	47	234	+46F	14.2v	
126	03/03/21	20:00	159	644	644	644	S	27	39	27	11	12	29	33	309	+51F	14.1v	
125	03/03/21	19:07	35	268	268	268	N	29	34	29	19	23	53	50	69	+51F	14.1v	
124	03/03/21	18:13	21	168	168	168	S	46	48	46	14	15	52	54	42	+58F	14.1v	
123	03/03/21	10:43	119	480	480	480	N	27	46	27	11	13	40	37	230	+48F	14.4v	
122	03/03/21	08:48	87	352	352	352	N	49	50	50	8	10	39	46	127	+40F	14.5v	
121	03/03/21	07:33	145	594	594	594	N	20	24	23	14	17	30	39	278	+32F	14.5v	
120	03/03/21	07:05	58	548	548	548	N	21	36	21	17	20	53	51	117	+33F	14.5v	
119	03/03/21	05:58	198	802	802	802	N	33	42	39	14	17	42	42	387	+34F	14.5v	
118	03/03/21	05:17	53	396	396	396	N	40	45	40	19	23	50	56	105	+35F	14.5v	
117	03/03/21	02:26	234	952	952	952	S	18	41	18	10	12	31	36	461	+40F	14.4v	
116	03/03/21	00:19	37	340	340	340	N	25	29	29	15	18	39	40	82	+41F	14.4v	
115	03/03/21	00:01	133	540	540	540	S	28	38	28	23	25	39	45	260	+42F	14.4v	
114	03/02/21	22:18	99	430	430	430	N	33	36	33	15	18	44	38	198	+43F	14.4v	
113	03/02/21	20:59	29	208	208	208	N	28	37	36	13	17	33	36	59	+44F	14.4v	

Click the "More" button at the bottom to load more train data.

The web page header includes the site's Milepost, Track Designator, Site ID, Date, Time, Battery voltage, Temperature, and Login status. The main page includes eight tabs. Train Data, System Status, Configuration, Logs, Maintenance Info, System Functions, Software Update, and Auto Cal. Clicking on the tabs will change the display in the main body of the page.

A pop-up indicator will appear above the tabs whenever a train is present.

On the Train Data tab between the Train Summary Data label and the header for the report columns is a key showing the various indicators present on the report (axle alarms, Integrity Failures, System Alarms, and DSR Records). Certain colors and characters at certain locations around a train's train number indicate the presence of these items. Hovering the mouse pointer over a train number also produces a pop-up window showing any axle alarms, Integrity Failures, and/or System Alarms present on the train.

5.1 Train Data

To view the train data, left-click the **Train Data** tab. The Train Summary Data will be displayed as depicted in the example above.

To view a train detail report, slide the mouse pointer to highlight the row for the desired train in the Train Summary Data Table. Left-click to select the train. A new window appears for each **Train Detail** report. This report also has the Show Announcements and Show DSR Charts buttons that display additional windows and information and provide replay and download of the spoken announcements. See the example below.

Train Details - Train #137
Milepost: 0128.7 / East

Date: 03/04/21	Axles: 156	Speed	Train Length: 3489	Amb. temp.: +64F
Time: 14:24	T01: 156	Min: 5	Shutters Open: 199 sec	Battery: 14.1v
Dir: North	T02: 156	Max: 17		
	Cars: 23	Avg: 13		
		Exit: 17		

Scanner Performance				
Scanner	Max	Avg	Resistor Read Req	CF
East Bearing	17	3	287 215 B	0
West Bearing	18	6	300 209 B	0

Alarm Limits	
Alarm	Limit
Absolute	180
Differential	130
Hot Wheel	650
Carside Slope	1.60
Carside Min	90
Cold Rail Temp	10
Announce Hot Wheels	Yes
Announce High/Wide	Yes

AEI System Data	
Tags Read	
Antenna 0	23
Antenna 1	23
Length(AEI)	3606

System Alarms

VERY Slow Train
Presence Detected On Adjacent Track(s)

Integrity Failures

None.

Axle Alarm Summary

None.

Show Announcements
Show DSR Charts

Car	Axle	Bearing		ON	OFF	PW1	PW2	Alarms
		East	West					
DTTX 785926								
1	1	3	7	316	0	79	91	
	2	7	10	306	614	55	74	
	3	1	3	244	7488	58	68	
	4	7	14	242	442	59	68	
DTTX 57025								
2	5	1	7	236	730	57	70	
	6	3	14	233	428	56	68	
	7	7	7	209	4631	50	59	
	8	7	14	208	378	51	59	
DTTX 53195								
3	9	3	6	205	622	51	61	
	10	6	12	203	371	50	59	
	11	8	8	191	4256	50	58	
	12	8	18	189	346	53	60	

See Section **6.0 Producing Reports** for a detailed explanation of the various report headers.

EUD-2021062-00 Rev 1, SmartScanNG² Operator's Guide for ARR, 03 March 2021

85

5.2 System Status

To view the system status, left-click the **System Status** tab. Grab and drag the slider bar to view the full range of system settings. See the example depicted below. By clicking on the header of a section of the display you can hide/show the contents of that section.

Slider Bar

SMARTSCAN NG²

Milepost: 0128.7 Track: East 03-04-2021, 16:39 Battery: 14.0V Temp.: 64F
Logged in as admin. [Logout](#)

[Train Data](#) [System Status](#) [Configuration](#) [Logs](#) [Maintenance Info](#) [System Functions](#) [Software Update](#) [Auto Cal](#)

System Status

Site Information	
Milepost	0128.7
Track Designator	East
Track Direction	North/South
Time Zone	Eastern
Daylight Savings Time	Enabled
Software Version	ARR_01-01 2020-02-10 10-07-06
Speech Version	ARR Speech Ryan 1.0
Velocity	Disabled
Multitech	Disabled
SICM Board Rev	1.3

Alarm Settings	
Absolute	180
Differential	130
Hot Wheel	650
Cold Rails	1
Cold Rail Temp	10
Cold Res Counter	3
Differential Enabled	No

Alarm Settings (Advanced)	
Carside Slope	1.60
Carside Minimum	90
Res Test: Minimum Rail Avg	25
Res Test: Minimum Wheel Avg	28
Bearing DSR Capture Temp	72
Wheel DSR Capture Temp	361
Max Alarms	8

Equipment Settings	
Dragger	Yes
Hot Wheel	No
Hot Bearing	Yes
High Load	No
Wide Load	No
AEI	Yes
Presence Hardware	No
Advance Transducers	No
AC Power Off Monitor	Yes

Equipment Settings (Advanced)	
Carside Slope	Yes
Winter Cycle	Disabled

•
•
•

5.3 Configuration

To view the system configuration settings, left-click the **Configuration** tab. Then left-click the category tabs on the left to view or edit the various parameters. If necessary, grab and drag the slider bar on the right to view the full range of system settings. See the samples depicted below.

To modify the **Date/Time** setting, click on the parameter field and type the new value. The **Apply Changes** button will be outlined in red when changes have been entered. Left-click the **Apply Changes** button to save changes. A Changes Applied Successfully message will appear.

The screenshot shows the SMARTSCAN NG² web interface. At the top, there is a header with the logo and system status: Milepost: 0128.7, Track: East, 03-04-2021, 16:41, Battery: 14.0V, Temp.: 64F, and a Logout button. Below the header is a navigation bar with tabs: Train Data, System Status, Configuration (selected), Logs, Maintenance Info, System Functions, Software Update, and Auto Cal. The main content area is titled 'Configuration' and includes a 'Load Default Setup Parameters' button. On the left is a sidebar with configuration categories: Date/Time (selected), Site Parameters, Alarm Settings, Alarm Settings (Advanced), Equipment Settings, Equipment Settings (Advanced), Messages, Messages Settings (Advanced), Network Settings, COM Port Settings, AEI Settings, and Import/Export. The 'Date/Time' settings are displayed in a table:

Date/Time	
Date	03/04/2021
Time	16:41
Time Zone	Eastern
Daylight Savings Time	Enabled

Below the table is an 'Apply Changes' button.

Date/Time

To modify the **Site Parameters** settings, click on the parameter field and type the new value. The **Apply Changes** button will be outlined in red when changes have been entered. Left-click the **Apply Changes** button to save changes. A Changes Applied Successfully message will appear.

The screenshot displays the SMARTSCAN NG² web interface. At the top, the header shows the system name and status: Milepost: 0128.7, Track: East, 03-04-2021, 16:42, Battery: 14.0V, Temp.: 64F, and Logged in as admin. Below the header is a navigation menu with buttons for Train Data, System Status, Configuration (selected), Logs, Maintenance Info, System Functions, Software Update, and Auto Cal. The main content area is titled 'Configuration' and includes a 'Load Default Setup Parameters' button. On the left is a sidebar menu with options: Date/Time, Site Parameters (selected), Alarm Settings, Alarm Settings (Advanced), Equipment Settings, Equipment Settings (Advanced), Messages, Messages Settings (Advanced), Network Settings, COM Port Settings, AEI Settings, and Import/Export. The 'Site Parameters' section is expanded, showing fields for Milepost (0128.7), Track Designation (East), Track Direction (N/S), Velocity (Disabled), and Multitech (Disabled). An 'Apply Changes' button is located below these fields.

Site Parameters

To modify the **Alarm Settings**, click on the parameter field and type the new value. The **Apply Changes** button will be outlined in red when changes have been entered. Left-click the **Apply Changes** button to save changes. A Changes Applied Successfully message will appear.

The screenshot shows the SMARTSCAN NG² web interface. At the top, it displays system information: Milepost: 0128.7, Track: East, 03-04-2021, 16:43, Battery: 14.0V, Temp.: 64F, and Logged in as admin. Below this is a navigation menu with buttons for Train Data, System Status, Configuration, Logs, Maintenance Info, System Functions, Software Update, and Auto Cal. The Configuration page is active, showing a sidebar with menu items like Date/Time, Site Parameters, Alarm Settings (highlighted), Alarm Settings (Advanced), Equipment Settings, Equipment Settings (Advanced), Messages, Messages Settings (Advanced), Network Settings, COM Port Settings, AEI Settings, and Import/Export. The main content area is titled 'Configuration' and contains a 'Load Default Setup Parameters' button. The 'Alarm Settings' section is expanded, showing a table of parameters:

Alarm Settings		
Absolute	<input type="text" value="180"/>	min = 1, max = 300
Differential	<input type="text" value="130"/>	min = 1, max = 300
Hot Wheel	<input type="text" value="650"/>	min = 1, max = 900
Cold Rails	<input type="text" value="1"/>	min = 1, max = 9
Cold Rail Temp	<input type="text" value="10"/>	min = 1, max = 30
Cold Res Counter	<input type="text" value="3"/>	min = 1, max = 9
Differential Enabled	<input type="text" value="no"/>	

Below the table is an 'Apply Changes' button.

Alarm Settings

To modify the **Alarm Settings (Advanced)** settings, click on the parameter field and type the new value. The **Apply Changes** button will be outlined in red when changes have been entered. Left-click the **Apply Changes** button to save changes. A Changes Applied Successfully message will appear.

SMARTSCAN NG²

Milepost: 0128.7 Track: East 03-04-2021, 16:44 Battery: 14.0V Temp.: 64F
 Logged in as admin. [Logout](#)

[Train Data](#) [System Status](#) [Configuration](#) [Logs](#) [Maintenance Info](#) [System Functions](#) [Software Update](#) [Auto Cal](#)

Configuration [Load Default Setup Parameters](#)

Alarm Settings (Advanced)

Date/Time	Alarm Settings (Advanced)	
Site Parameters	Carside Slope	1.60 min = 0.01, max = 2.55
Alarm Settings	Carside Minimum	90 min = 0, max = 300
Alarm Settings (Advanced)	Res Test: Minimum Rail Avg	25 min = 0, max = 300
Equipment Settings	Res Test: Minimum Wheel Avg	28 min = 0, max = 900
Equipment Settings (Advanced)	Bearing DSR Capture Temp	72 min = 0, max = 300
Messages	Wheel DSR Capture Temp	361 min = 0, max = 900
Messages Settings (Advanced)	Max Alarms	8 min = 1, max = 11
Network Settings	Apply Changes	
COM Port Settings		
AEI Settings		
Import/Export		

Alarm Settings (Advanced)

To modify the **Equipment Settings**, click on the parameter field and type the new value. The **Apply Changes** button will be outlined in red when changes have been entered. Left-click the **Apply Changes** button to save changes. A Changes Applied Successfully message will appear.

The screenshot displays the SMARTSCAN NG² web interface. At the top, the system status is shown: Milepost: 0128.7, Track: East, 03-04-2021, 16:46, Battery: 14.0V, Temp.: 64F, and Logged in as admin. A navigation bar contains buttons for Train Data, System Status, Configuration, Logs, Maintenance Info, System Functions, Software Update, and Auto Cal. The Configuration section is active, showing a sidebar with various settings categories and a main area for Equipment Settings. The Equipment Settings table includes parameters like Dragger, Hot Wheel, Hot Bearing, High Load, Wide Load, AEI, and various Scanner Types, each with a dropdown menu. An Apply Changes button is located at the bottom of the settings table.

Equipment Settings	
Dragger	yes ▼
Hot Wheel	no ▼
Hot Bearing	yes ▼
High Load	no ▼
Wide Load	no ▼
AEI	yes ▼
East Rail Scanner Type	Type II ▼
West Rail Scanner Type	Type II ▼
East Wheel Scanner Type	Type III ▼
West Wheel Scanner Type	Type III ▼
Presence Hardware	no ▼
Advance Transducers	no ▼
AC Power Off Monitor	yes ▼

Equipment Settings

To modify the **Equipment Settings (Advanced)** settings, click on the parameter field and type the new value. The **Apply Changes** button will be outlined in red when changes have been entered. Left-click the **Apply Changes** button to save changes. A Changes Applied Successfully message will appear.

SMARTSCAN NG²

Milepost: 0128.7 Track: East 03-04-2021, 16:47
Battery: 14.0V Temp.: 64F

Logged in as admin. [Logout](#)

Train Data
System Status
Configuration
Logs
Maintenance Info
System Functions
Software Update
Auto Cal

Configuration
[Load Default Setup Parameters](#)

Date/Time	Equipment Settings (Advanced)	
Site Parameters	Clearance Mode	<input type="text" value="Multiplexed"/>
Alarm Settings	Clearance Type	<input type="text" value="Light Beam"/>
Alarm Settings (Advanced)	Carside Slope	<input type="text" value="yes"/>
Equipment Settings	Winter Cycle	<input type="text" value="no"/>
Equipment Settings (Advanced)	Winter Cycle Start Month	<input type="text" value="October"/>
Messages	Winter Cycle End Month	<input type="text" value="March"/>
Messages Settings (Advanced)	Transducer Gain	<input type="text" value="Normal"/>
Network Settings	Resistor Test	<input type="text" value="Enabled"/>
COM Port Settings	Gate Distance (inches)	<input type="text" value="24.0"/>
AEI Settings	Dragger Debounce Time (mS)	<input type="text" value="10"/> min = 0, max = 999
Import/Export	Pre Train Dragger Dist (feet)	<input type="text" value="200"/> min = 0, max = 999
	Pre Train High/Wide Dist (feet)	<input type="text" value="0"/> min = 0, max = 999
	Presence Timeout Period (seconds)	<input type="text" value="10"/> min = 5, max = 30
	System Voltage	<input type="text" value="12"/>
	<input type="button" value="Apply Changes"/>	

Equipment Settings (Advanced)

To modify the **Messages** settings, click on the parameter field and type the new value. The **Apply Changes** button will be outlined in red when changes have been entered. Left-click the **Apply Changes** button to save changes. A Changes Applied Successfully message will appear.

The screenshot shows the SMARTSCAN NG² web interface. At the top, there is a header with the logo and system status information: Milepost: 0128.7, Track: East, 03-04-2021, 16:48, Battery: 14.0V, Temp.: 64F, and a Logout button. Below the header is a navigation menu with buttons for Train Data, System Status, Configuration, Logs, Maintenance Info, System Functions, Software Update, and Auto Cal. The Configuration page is active, showing a sidebar with various settings categories and a main content area for the Messages settings. The Messages settings include a list of parameters with dropdown menus for yes/no values and an Apply Changes button.

Configuration Category	Messages Parameter	Value
Configuration	Axles	yes
	Speed	no
	Temperature	yes
	Length	no
	Slow	yes
	Power Off	yes
	Repeat No Defects	yes
	Cars Count	no
	Customer Name	yes
	Arrival Message	no
	Lft/Rt Alarm Ref	no
	Car ID With Alarm	no
	Apply Changes	

Messages

To modify the **Messages Settings (Advanced)**, click on the parameter field and type the new value. The **Apply Changes** button will be outlined in red when changes have been entered. Left-click the **Apply Changes** button to save changes. A Changes Applied Successfully message will appear.

The screenshot displays the SMARTSCAN NG² web interface. At the top, the header shows the system name and status: Milepost: 0128.7, Track: East, 03-04-2021, 16:49, Battery: 14.0V, Temp.: 64F, and Logged in as admin. Below the header is a navigation menu with buttons for Train Data, System Status, Configuration, Logs, Maintenance Info, System Functions, Software Update, and Auto Cal. The Configuration section is active, showing a sidebar with various settings categories and a main content area for Messages Settings (Advanced). The main content area includes a 'Load Default Setup Parameters' button and a table of settings for Messages Settings (Advanced). The settings table has the following rows:

Messages Settings (Advanced)		
Announce Hot Wheels	Yes	▼
Announce High/Wide	Yes	▼
Request EOT Timer (minutes)	10	min = 0, max = 999
Rebroadcast DTMF Code		
Num EOT Repeats	0	min = 0, max = 5
EOT Repeat Delay (seconds)	10	min = 0, max = 999

Below the table is an 'Apply Changes' button. The sidebar on the left includes the following categories: Date/Time, Site Parameters, Alarm Settings, Alarm Settings (Advanced), Equipment Settings, Equipment Settings (Advanced), Messages, Messages Settings (Advanced) (highlighted), Network Settings, COM Port Settings, AEI Settings, and Import/Export.

Messages Settings (Advanced)

To modify the **Network Settings**, click on the parameter field and type the new value. The **Apply Changes** button will be outlined in red when changes have been entered. Left-click the **Apply Changes** button to save changes. A Changes Applied Successfully message will appear.

The screenshot displays the SMARTSCAN NG² web interface. At the top, the header shows the device name and status: Milepost: 0128.7, Track: East, 03-04-2021, 16:50, Battery: 14.0V, Temp.: 64F, and Logged in as admin. Below the header is a navigation menu with buttons for Train Data, System Status, Configuration, Logs, Maintenance Info, System Functions, Software Update, and Auto Cal. The Configuration section is active, showing a sidebar with various settings categories and a main area for Network Settings. The Network Settings table includes fields for Use Static Address, Static IP, Static Mask, Default Gateway, DNS Server, TELNET Port, FTP Port, HTTP Port, HTTPS Port, Use Wifi, and Wifi Inactivity Timeout (min). An Apply Changes button is located at the bottom of the settings table.

Parameter	Value	Range
Use Static Address	yes	
Static IP	192.168.1.101	
Static Mask	255.255.255.0	
Default Gateway	192.168.1.1	
DNS Server	192.168.1.1	
TELNET Port	23	min = 0, max = 65535
FTP Port	21	min = 0, max = 65535
HTTP Port	80	min = 0, max = 65535
HTTPS Port	8080	min = 0, max = 65535
Use Wifi	no	
Wifi Inactivity Timeout (min)	10	min = 0, max = 30

Network Settings

To modify the **COM Port Settings**, click on the parameter field and type the new value. The **Apply Changes** button will be outlined in red when changes have been entered. Left-click the **Apply Changes** button to save changes. A Changes Applied Successfully message will appear.

SMARTSCAN NG²

Milepost: 0128.7 Track: East 03-04-2021, 16:51 Battery: 14.0V Temp.: 64F
 Logged in as admin. [Logout](#)

[Train Data](#) [System Status](#) [Configuration](#) [Logs](#) [Maintenance Info](#) [System Functions](#) [Software Update](#) [Auto Cal](#)

Configuration [Load Default Setup Parameters](#)

COM Port Settings

COM 1	19200
COM 2	19200
COM 3	19200
COM 4	19200
COM 6	19200
RS485	9600

[Apply Changes](#)

COM Port Settings

To modify the **AEI Settings**, click on the parameter field and type the new value. The **Apply Changes** button will be outlined in red when changes have been entered. Left-click the **Apply Changes** button to save changes. A Changes Applied Successfully message will appear.

The screenshot displays the SMARTSCAN NG² web interface. At the top, the header shows the device name and status: Milepost: 0128.7, Track: East, 03-04-2021, 16:52, Battery: 14.0V, Temp.: 64F, and Logged in as admin. Below the header is a navigation menu with buttons for Train Data, System Status, Configuration, Logs, Maintenance Info, System Functions, Software Update, and Auto Cal. The Configuration page is active, showing a sidebar with various settings categories and a main content area for AEI Settings. The AEI Settings section includes fields for ID Separation (2), Consecutive Reads (2), RF Frequency (MHz) (915.000), RF Attenuation (dB) (0), and Multi-Track Tag Filter (no). An Apply Changes button is located below the settings.

Parameter	Value	Min	Max
ID Separation	2	1	4
Consecutive Reads	2	1	4
RF Frequency (MHz)	915.000		
RF Attenuation (dB)	0	0	10
Multi-Track Tag Filter	no		

AEI Settings

To **Export** settings, check the box(es) next to the desired settings (**General**, **Network**, **Security**, or **Calibration**). Left click **Export** to export file in .json format.

To **Import** settings, you must have the appropriate import file available in json format. Check the box(es) for the desired settings you wish to import (**General**, **Network**, **Security**, or **Calibration**). Left click **Import** then select the .json file from the browser.

The screenshot shows the SMARTSCAN NG² web interface. At the top, there is a dark blue header with the logo and the text "SMARTSCAN NG²". Below the header, there is a status bar with "Milepost: 0128.7", "Track: East", and a timestamp "03-04-2021, 16:53". On the right side of the status bar, it shows "Battery: 14.0V", "Temp.: 64F", and "Logged in as admin." with a "Logout" button.

Below the status bar is a navigation menu with buttons for "Train Data", "System Status", "Configuration", "Logs", "Maintenance Info", "System Functions", "Software Update", and "Auto Cal". The "Configuration" button is highlighted.

The main content area is titled "Configuration" and has a "Load Default Setup Parameters" button. On the left side, there is a vertical list of configuration categories: "Date/Time", "Site Parameters", "Alarm Settings", "Alarm Settings (Advanced)", "Equipment Settings", "Equipment Settings (Advanced)", "Messages", "Messages Settings (Advanced)", "Network Settings", "COM Port Settings", "AEI Settings", and "Import/Export". The "Import/Export" button is highlighted in dark blue.

The "Import/Export" section is expanded, showing a list of settings with checkboxes: "General Settings" (checked), "Network Settings", "Security Settings", and "Calibration Settings". Below these checkboxes are two buttons: "Export" and "Import".

Import/Export

5.4 System Event Log

The **System Event Log** report is used for diagnostics. As certain system events occur, entries are posted into the event log. Each time an entry is made into this log, it receives an event number, the date and time that the event was recorded, and an event description. Events are listed in chronological order beginning with the most recent event.

To view the system event log, left-click the **Logs** tab. Grab and drag the slider bar to view the full report. See **System Event Log** sample depicted below.

SMARTSCAN NG²

Milepost: 0128.7 Track: East 03-05-2021, 08:17 Battery: 14.5V Temp.: 39F
Logged in as admin. [Logout](#)

[Train Data](#) [System Status](#) [Configuration](#) [Logs](#) [Maintenance Info](#) [System Functions](#) [Software Update](#) [Auto Cal](#)

System Event Log [Refresh](#)

0001: [03/05/2021 07:22:19] (48) - Stored train #146
0002: [03/05/2021 07:22:09] (48) - Train Departure
0003: [03/05/2021 07:18:12] (48) - Train Arrival
0004: [03/05/2021 06:52:01] (48) - Stored train #145
0005: [03/05/2021 06:52:00] (48) - Train Departure
0006: [03/05/2021 06:50:08] (48) - Train Arrival
0007: [03/05/2021 05:36:21] (55) - Telnet Connection lost: id-27
0008: [03/05/2021 02:15:27] (48) - Stored train #144
0009: [03/05/2021 02:15:21] (48) - Train Departure
0010: [03/05/2021 02:10:18] (48) - Train Arrival
0011: [03/05/2021 00:54:22] (48) - Stored train #143
0012: [03/05/2021 00:54:17] (48) - Train Departure
0013: [03/05/2021 00:51:35] (48) - Train Arrival

•
•
•

0049: [03/04/2021 11:43:10] (55) - Admin logged in: id-28, telnet ip-184.174.165.45
0050: [03/04/2021 11:25:39] (48) - Stored train #135
0051: [03/04/2021 11:25:35] (48) - Train Departure
0052: [03/04/2021 11:20:26] (48) - Train Arrival
0053: [03/04/2021 11:20:23] (48) - Train Canceled: Axls=0, T01=0, T02=2, Noise1=0, Noise2=0
0054: [03/04/2021 11:20:08] (48) - Train Arrival
0055: [03/04/2021 07:33:39] (48) - Stored train #134
0056: [03/04/2021 07:33:38] (48) - Train Departure
0057: [03/04/2021 07:31:35] (48) - Train Arrival
0058: [03/04/2021 07:29:05] (48) - Stored train #133
0059: [03/04/2021 07:29:01] (48) - Train Departure
0060: [03/04/2021 07:20:55] (48) - Train Arrival
0061: [03/04/2021 06:07:08] (48) - Stored train #132
0062: [03/04/2021 06:07:02] (48) - Train Departure
0063: [03/04/2021 06:03:57] (48) - Train Arrival
0064: [03/04/2021 05:49:49] (48) - Stored train #131
0065: [03/04/2021 05:49:47] (48) - Train Departure
0066: [03/04/2021 05:45:18] (48) - Train Arrival
0067: [03/04/2021 01:19:37] (48) - Stored train #130
0068: [03/04/2021 01:19:35] (48) - Train Departure
0069: [03/04/2021 01:17:41] (48) - Train Arrival
0070: [03/04/2021 00:36:07] (48) - Stored train #129

[More](#)

Click the **“More”** button at the bottom to load more events.

5.5 Maintenance Info

Left-click the **Maintenance Info** tab to view maintenance data. Left-click Change Train Range to change the range of trains used for maintenance calculations. The default range is the last forty trains.

SMARTSCAN NG²

Milepost: 0128.7 Track: East 03-05-2021, 08:29
Battery: 14.4V Temp.: 39F

A Train Is Present
Logged in as admin. [Logout](#)

Train Data
System Status
Configuration
Logs
Maintenance Info
System Functions
Software Update
Auto Cal

Maintenance Information

Statistics accumulated for the last **40** trains. [Change Train Range](#) [Refresh](#)
Includes data from the last **4** days.

Scanner Statistics

Scanner	Max	Avg	Resistor		Avg		Cold		Cold	
			Max	Avg	CF	Cnt	%	Cnt	%	
East Bearing	68	13	291	281	0	0	0	0	0	0
West Bearing	76	16	300	298	0	0	0	0	0	0

Transducer Statistics

Total Axles Scanned	17132
Total Txd. Miscounts	7
Percent Miscounts	0.04%
Trains With Miscounts	2
Trains In Sample	40
Percent Trains W/ Miscounts	5.0%

System Statistics

	Battery	Ambient Temp
Avg	14.3	43
Max	14.5	64
Min	14.0	31

Hardware Status

East Bearing Scanner	Pass
West Bearing Scanner	Pass
East Wheel Scanner	Disabled
West Wheel Scanner	Disabled
<h4 style="margin: 0;">Gating Transducers Needs Attention</h4> <p style="margin: 0; font-size: 0.9em;">- 2% had Reverse Direction Detected Possible Cause: Slow train movements, improper loading of transducers, transducer connections intermittent, transducer needs calibrating, transducer not adjusted correctly on rail, or defective transducer</p>	
Ambient Temperature Probe	Pass
Power Subsystem	Pass
Presence Hardware	Disabled
Dragger	Pass
High Load Detector	Disabled
Wide Load Detector	Disabled
AEI Subsystem	Pass

5.6 System Functions

Some but not all system functions can be accessed remotely. Left-click the **Systems Functions** tab to view available options. Left-click the corresponding button to initiate the desired function.

SMARTSCAN NG²

Milepost: 0128.7 Track: East 03-05-2021, 08:34
Battery: 14.4V Temp.: 39F
[Logged in as admin.](#) [Logout](#)

Train Data
System Status
Configuration
Logs
Maintenance Info
System Functions
Software Update
Auto Cal

System Functions

System Test Functions

Broadcast A Test Message Over The Radio
Radio Test

Run Vocabulary Test
Vocabulary Test

Temporarily Inhibit Radio Broadcast
Radio Inhibit

Generate 1kHz Test Tone
Test Tone

Start Manual Train
Test Train

Stored Data Resets

Clear Train Data
Clear Data

Clear Event Log Contents
Clear Log

Load Default Setup Parameters
Load Defaults

Speaker Volume Adjust

Select Speaker Volume Setting
3 ▼
Apply Setting

Maintenance Alert Email List

Add An Address:

Add

Apply Email List Changes
Apply

System Reboot

Reboot System Processors
Reboot Now

Resistor Baseline Data

Scanner	Type	Date	Time	Battery Voltage	Ambient Temp	Status	30	40	50	60	70	80	90	100	110	120	130	140	160	180	200	220	24
Rail 1	Type II	05/01/20	14:07	14.0V	69F	VALID	138	179	208	213	215	216	216	217	217	217	217	217	216	217	216	216	211
Rail 2	Type II	05/01/20	14:07	14.0V	69F	VALID	172	211	211	211	211	211	211	211	211	211	211	211	211	211	211	211	211

5.7 Remote Software Update

To perform a remote software update, left-click the **Software Update** tab. This tab is the only way to upload software packages onto the detector. Once a package is on the detector, the user can install it either by using this tab or by using the Serial Interface.

The screenshot shows the SMARTSCAN NG² web interface. At the top, the header includes the logo and status information: Milepost: 0128.7, Track: East, 03-05-2021, 08:34, Battery: 14.5V, Temp.: 39F, and Logged in as admin. (Logout). Below the header is a navigation menu with tabs: Train Data, System Status, Configuration, Logs, Maintenance Info, System Functions, Software Update (selected), and Auto Cal. The main content area is titled 'Updates:' and contains a table with one entry: 'ARR_01-01.ng' (3746 kb). Below the table are buttons for 'Update', 'Delete', and 'Upload'. To the right of the table is a checkbox labeled 'Use websockets:'. Below the table is a section titled 'Last update applied:' with the text: '/FLASH/UPDATES/ARR_01-01.ng' and '01/01/2016 07:13:51'.

The **Upload** button is used to load a new software package onto the detector for subsequent installation. To upload a new file, left-click on the Upload button. Search for and select a software file on your computer. Only two files can be stored at a time. If there are already two files, you must delete one before uploading another.

When the upload is complete, left-click the **Update** button and follow the instructions to update the software. The **Update** button is used to install a previously uploaded software packet so that it becomes the detector's operating software.

5.8 Auto Calibration

To perform the automatic scanner calibration function, left-click the **Auto Cal** tab.

The screenshot shows the SMARTSCAN NG² web interface with the 'Auto Cal' tab selected. The header is the same as in the previous screenshot. The navigation menu includes: Train Data, System Status, Configuration, Logs, Maintenance Info, System Functions, Software Update, and Auto Cal (selected). The main content area is titled 'Scanner Auto Calibration' and contains a section titled 'Calibration Status' with a table:

Scanner	Scanner Type	Potentiometer Prev.	Setting Current	Last Calibration Date	Time
East Bearing	II		58	05/01/2020	13:40
West Bearing	II		100	05/01/2020	10:19

Below the table is a blue bar with the text 'Click 'Start' button to begin calibration'. Below this bar are two buttons: 'Start' and 'Stop'. At the bottom of the section is a 'History' link.

Left click the command buttons to **Start/Stop** calibration.

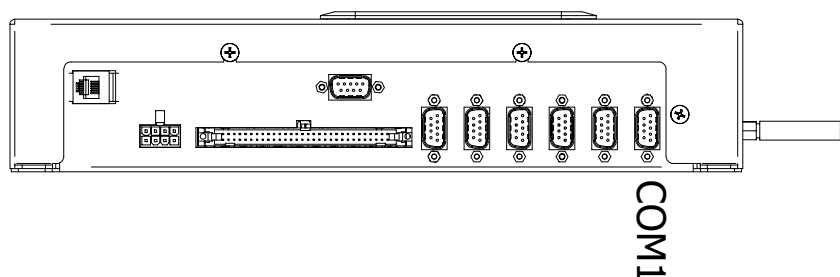
6.0 Producing Reports

For Alaska Rail, the SmartScanNG² system provides:

- Train Summary report
- Train Detail report
- Exception Summary report
- extended Exception Detail report
- abbreviated Exception Detail report
- System Status report
- AEI Diagnostic Detail report
- Event Log report
- Maintenance report

This section shows a sample of each report with a description of each field. It also lists step-by-step instructions on producing each report, both **on-site** and **off-site**. The instructions for each report start with you being at the Main Menu, which is described below.

- 1 If **on-site**, plug your computer into the SmartScanNG² serial port COM1 **Error!**
Bookmark not defined..



- 2 Turn on your computer.
- 3 Be sure that your computer has installed communications software, that it is set to use full-duplex, and that the baud rate is set to 115,200.
Use your communications software to open a LOG file and capture the whole session to the file. When your session is complete, you may then view what you have done with an editor, print it with a printer, or store it for later retrieval.
- 4 On your computer, open a LOG file.
- 5 If **off-site**, establish communications with the SmartScanNG² via Ethernet or modem as appropriate.

6 Press **[Esc]**.

This prompt appears.

```
Enter password:
```

7 Type assigned password.

The entry of this word is **not** case sensitive.

8 To get the serial interface to come up, press **[Esc]**.

The Main Menu appears.

```
SmartSCAN NG2
02/11/2021 08:31:39 EST
Main Menu - Comm
-----
[A] - Train Summary
[B] - Train Detail
[C] - Exception Summary
[D] - Exception Detail
[E] - System Status Report
[F] - Last Train
[G] - Train DSRs
[H] - AEI Diagnostic
[I] - Setup
[J] - Event log
[K] - System Functions Menu
[L] - Replay train
[M] - Security Menu
[X] - Exit
```

At the above prompt, you can produce one of the listed reports by selecting the appropriate option.

If a train is at the site when the Main Menu is generated, "*** Train Is Present ***" is displayed just above the menu header for the Main Menu.

9 When done, close the LOG file.

10 To exit the serial interface and return the system to normal operation, type **X**

When a session ends, if a modem was used, the system sends various commands to the modem to prepare it for future use. If at any time during the disconnect procedure, lines such as "+++ATH0" appear on your screen, these are merely commands preparing the modem for further use. They shouldn't be construed as anything that is meant for the user.

6.1 Train Summary Report

The Train Summary report lists all trains currently stored in the Trains directory. A train number is shown for each train entry so that a Train Detail report may easily be produced for any train listed on the summary.

The report is divided into a header section and a detail section. The header section contains general information about the site. The detail section contains summary information on each train that passed the site.

The SmartScanNG² system calculates a checksum for each train. This checksum is stored with the train data. Later, when the system retrieves this data, it recalculates the checksum. If the two checksums don't match, the Train Summary report so states in the detail section. So, instead of getting a train record, you'll get a checksum-error line.

Below is a sample of part of a Train Summary report when Hotwheel alarm detection was disabled during report processing and when the AEI subsystem was disabled during train passage. (When the report is run, if the Hotwheel option on the Equipment Settings menu is disabled, the hotwheel information is hidden. When the report is run, if the AEI option is disabled, the tag information isn't hidden.) The contents of your report will be different. The version information in the sample below is for illustrative purposes only. It doesn't represent any real release of the firmware.

```

Southern Technologies Corporation
Next Generation Detector System
TRAIN SUMMARY
=====
Software Version: ARR_01-01 2020-02-10                      MP/KP: 1234.5
                                                                Track: North

Current Alarm Settings
Absolute..... 150  Carside Slope... 1.31
Differential.. 255  Minimum..... 90
Hot Wheel..... 500  Cold Rail Temp.. 10

Total Trains: 19
-----

```

Train#	Date	Time	Cars	Axles	T01	T02	D i r	Speed			Bearing Average		Bearing Maximum		Amb	
								Min	Max	Xit	East	West	East	West	Temp	Bat
19B	02/11/21	05:08	67	272	272	272	S	6	30	10	23	21	48	49	+24F	13.0v
18B	02/11/21	04:13	68	276	276	276	N	24	33	32	15	13	29	30	+27F	13.1v
17B	02/11/21	03:51	52	332	332	332	N	23	36	36	15	14	35	39	+27F	13.0v
16B	02/11/21	03:14	131	530	530	530	N	9	29	29	8	5	27	20	+27F	13.0v
15B	02/11/21	01:26	49	318	318	318	S	7	11	8	17	16	34	31	+27F	13.1v
14B	02/11/21	00:49	75	304	304	304	S	5	14	9	19	17	36	34	+26F	13.0v
13B	02/11/21	00:08	85	346	346	346	N	21	32	32	17	16	40	30	+27F	12.9v
12B	02/10/21	23:08	84	342	342	342	N	7	27	27	7	5	23	19	+27F	13.0v
11B	02/10/21	22:38	98	398	398	398	N	8	28	27	6	3	29	19	+27F	13.1v
10B	02/10/21	20:59	92	372	372	372	S	19	24	22	8	5	26	28	+26F	13.1v

```

.
.
.
END OF REPORT - Press any key...

```

Below is a sample of part of a Train Summary report when the Hotwheel option on the Equipment Settings menu is enabled. The contents of your report will be different.

```

      .
      .
      .
Current Alarm Settings
Absolute..... 150   Carside Slope... 1.31
Differential.. 255   Minimum..... 90
Hot Wheel..... 500   Cold Rail Temp.. 10

Total Trains: 20
-----
Train#   Date   Time   Cars   Axles   TO1   TO2   D   i   Speed   Bearing   Wheel   Amb
              Min   Max   Xit   East   West   Average   Maximum
              East   West   East   West   Temp   Bat
-----
      .
      .
      .
END OF REPORT - Press any key...

```

The table below lists the fields from the header section and the contents of each field.

Heading	Contents of Field
Version Info	The version numbers of the firmware and their release dates, which are in mm/dd/yy format. This firmware resides on the processor modules.
MP/KP	The five-digit milepost/kilometer post of the site. Section 4.0 - Serial Interface tells how to change this value using the MP/KP submenu.
Track	The track designator of the site. For single-track sites, the value is Single. For double-track sites, valid values are North, South, East, West, Main 1, Main 2, Main 3, and Middle. Section 4.0 - Serial Interface tells how to set this value using the Track Number submenu of the Setup Menu.
Alarm Limits	<p>The alarm parameters currently defined in the system setup. These values were in place at the time this report was run.</p> <ul style="list-style-type: none"> The value after Absolute is set by the Absolute option on the Alarm Settings menu. The value after Differential is set by the Differential option on the Alarm Settings menu. The heading Hot Wheel only appears when the Hotwheel option on the Equipment Settings menu is <u>enabled</u>. The value after Hot Wheel is set by the Hotwheel option on the Alarm Settings menu. The value after Carside Slope is set by the Carside Slope option on the Alarm Settings menu. The value after Minimum is set by the Carside Minimum option on the Alarm Settings menu. The value after Cold Rail Temp is set by the Cold Rail Temperature option on the Alarm Settings menu. <p>Section 4.0 - Serial Interface tells how to set these values.</p>
Total Trains	The total number of trains visiting the site since the Trains directory was last cleared.

The table below lists the fields from the detail section and the contents of each field.

Heading	Contents of Field
Train#	The number that identifies the train in the Trains directory.
	There is one unlabeled column between those labeled "Train#" and "Date." This column can contain A, B, I, S , or nothing. If "A," an Exception Alarm was detected on the train. If "I," an Integrity Failure was detected. If "B," both an Exception Alarm and an Integrity Failure were detected. If "S," a System Alarm was detected, but Exception Alarms and Integrity Failures weren't. If blank, no Exception Alarm, Integrity Failure, or System Alarm was detected.
Date	The date the train arrived at the site. Date is in mm/dd/yy format. Section 4.0 - Serial Interface tells how to change this value using the Date and Time submenu of the Setup Menu.
Time	The time the train arrived at the site. Time is in 24-hour hh:mm format, where 8 a.m. is 08:00, noon is 12:00, 8 p.m. is 20:00, and midnight is 00:00. Section 4.0 - Serial Interface tells how to change this value using the Date and Time submenu of the Setup Menu.
Cars	The total number of cars counted by the SmartScanNG ² system.
Axles	The total number of axles counted by the SmartScanNG ² system.
TO1	The total number of hits counted by gating transducer TO1. TO1 is the first gating transducer going north or east from the bearing scanner. It is the gating transducer <u>closest</u> to the bearing scanner.
TO2	The total number of hits counted by gating transducer TO2. TO2 is the second gating transducer going north or east from the bearing scanner. It is the gating transducer <u>farthest</u> from the bearing scanner.
AEI Tags	The total number of AEI tags stored. The number of tag pairs found plus those single tags that lack a match. This heading always appears, even if the AEI subsystem is disabled using the AEI option on the Equipment Settings menu.
Speed (mph)	The train's exit speed in miles per hour.
Dir	The direction the train was traveling. Valid values are N, S, E, and W.
Rail Average	Under this heading are two columns, one for each bearing scanner, containing the average temperature read by the bearing scanners. If the track orientation is east and west, the bearing scanners are labeled north and south. If the track orientation is north and south, they are labeled east and west.
Wheel Maximum	Under this heading are two columns, one for each wheel scanner, containing the maximum temperature read by the wheel scanners. If the track orientation is east and west, the wheel scanners are labeled north and south. If the track orientation is north and south, they are labeled east and west. This field appears only when the Hotwheel option on the Equipment Settings menu is enabled.
Amb Temp	The ambient temperature, in degrees Fahrenheit, at the time the train arrived at the site.
Bat	The system battery voltage at the time the train passed the site.

To produce a Train Summary report:

- 1 Using the serial interface, display the Main Menu.

Section 4.0 - Serial Interface tells how to display the Main Menu. The Main Menu looks like this.

```
SmartSCAN NG2
02/11/2021 09:12:21 EST
Main Menu - Comm
-----
[A] - Train Summary
[B] - Train Detail
[C] - Exception Summary
[D] - Exception Detail
[E] - System Status Report
      .
      .
      .
```

- 2 Select **Train Summary**.
- 3 To exit the serial interface and return the SmartScanNG² system to normal operation, type **X**

6.2 Train Detail Report

The Train Detail report provides detailed information on a single train. When choosing this report, you'll be prompted for a train number. When prompted, enter a train number from the Train Summary report. The train number appears under the column titled "Train#" in the detail section of the Train Summary report.

Carside Slope alarm detection is enabled/disabled using the Carside Slope option on the Equipment Settings menu. Hotwheel alarm reporting is enabled/disabled using the Hotwheel option on the Equipment Settings menu. The AEI subsystem is enabled/disabled using the AEI option on the Equipment Settings menu.

Where wheel scanners are properly installed, wheel temperatures are always recorded, even if the Hotwheel option is disabled. On the other hand, if the AEI option is disabled during train passage, no AEI information is recorded. If the Carside Slope option is disabled during train passage, no Carside Slope alarms are generated. But, if it is enabled at the time a report is requested, a carside-slope alarm-limit line is generated for each car of the train.

Below is a sample of part of a Train Detail report when both the AEI option and the Hotwheel option on the Equipment Settings menu were enabled at the time the report was requested. The Carside Slope option on the Equipment Settings menu was disabled. Also, both the AEI and Hotwheel options were enabled while the specified train was passing the site. The contents of your report will be different. The version information in the sample below is for illustrative purposes only. It doesn't represent any real release of the firmware.

```

=====
                        Southern Technologies Corporation
                        Next Generation Detector System
                        TRAIN DETAIL
=====
Train#: 248                Axles: 344                Speed                MP/KP: 1234.5
Date: 01/05/21            Cars: 85                Min: 24                Track: North
Time: 07:45                Direction: North        Max: 34                Temperature: +23F
                        Shutters Open: 138            Avg: 27                Battery: 13.1v
                        Length: 5128                Exit: 33
=====
Scanner      Resistor      Txdr
Max Avg Read Req  CF    Counts    Alarm      Limit  Carside Parm
-----
East Brng  31  14  173 127B  0    TO1 344    Absolute    200  Slope:  1.60
West Brng  29   9  184 141B  0    TO2 344    Differential 130  Minimum: 300
East Whl   50  0   28  0B   0                    Hot Wheel    652
West Whl   41  0   33  0B   0                    Cold Rail Temp 10
Resistor Test Mode: Disabled          High/Wide Alarm Direction: BOTH
=====
Software Version: ARR_01-01 2020-02-10
=====
AEI System Data

Tags Read          Tags Stored: 169
-----
Antenna 0: 85
Antenna 1: 84

-----
System Alarms

None

-----
Axle Alarm Summary

NONE

-----
Diagnostic info

xdcrlUnexpectedRisingEdges: 0
xdcr2UnexpectedRisingEdges: 0
xdcrlUnexpectedFallingEdges: 0
xdcr2UnexpectedFallingEdges: 0
xdcrlSpikes: 0
xdcr2Spikes: 0
xdcrlNoiseCtr: 0
xdcrlNoiseCtr: 0
.
.
.

(continued on next page)

```

Train Detail - Extended

Train Detail - Extended (continued)

•
•
•

Announcements made

" c s x detector milepost 1 2 3 4 point 5 north track "
 " c s x detector milepost 1 2 3 4 point 5 north track no defects repeat no defects
 total axles 3 4 4 temperature 2 3 "
 " c s x detector milepost 1 2 3 4 point 5 north track no defects repeat no defects
 total axles 3 4 4 temperature 2 3 "
 " c s x detector milepost 1 2 3 4 point 5 north track no defects repeat no defects
 total axles 3 4 4 temperature 2 3 detector out "

Car	Axle	Rail		Wheel		ON	OFF	PW1	PW2	Alarms	
		East	West	East	West						
1	1	2	1	0	0	56	0	23	22	AR	281
	2	5	1	0	0	56	130	21	20		
	3	0	1	0	0	56	131	22	21		
	4	6	9	0	0	56	882	23	22		
	5	0	10	0	0	56	130	22	21		
	6	0	0	0	0	56	130	22	21		
Carside Ave:		East	3	West	5	Carside Alarms: East 255 West 255					
2	7	3	6	0	0	56	339	23	22	AR	248
	8	1	0	0	0	56	130	24	24		
	9	1	1	0	0	56	130	20	20		
	10	0	6	0	0	56	880	22	21		
	11	0	3	0	0	56	129	21	21		
	12	0	3	0	0	56	130	22	22		
Carside Ave:		East	1	West	4	Carside Alarms: East 255 West 255					
3	13	18	11	0	0	56	250	21	20	MP	718090
	14	9	7	0	0	56	109	21	20		
	15	10	5	0	0	56	1049	21	21		
	16	20	19	0	0	56	109	21	20		
Carside Ave:		East	18	West	11	Carside Alarms: East 255 West 255					
4	17	3	2	1	0	56	160	21	20	MP	718298
	18	3	0	0	0	56	110	22	22		
	19	2	11	0	0	56	1047	22	22		
	20	18	1	5	0	56	109	21	21		
Carside Ave:		East	4	West	6	Carside Alarms: East 255 West 255					
5	21	16	13	0	0	56	163	20	19	TILX	191942
	22	22	16	0	0	56	109	19	18		
	23	9	2	0	0	56	1077	22	21		
	24	5	5	0	0	56	109	22	21		
Carside Ave:		East	23	West	15	Carside Alarms: East 255 West 255					
6	25	24	16	0	0	56	165	20	20	CTCX	733058
	26	27	11	0	0	56	109	20	19		
	27	11	10	0	0	56	1078	22	21		
	28	22	16	0	0	56	109	21	21		
Carside Ave:		East	31	West	18	Carside Alarms: East 255 West 255					

•
•
•

The Train Detail report is divided into three sections. The header section contains general information about the site (like the MP/KP) and some detail information about the specific train (like the train's exit speed) that passed the site. The detail section contains more detailed information (like the car number) about the specific train. In between these two sections is the system-events section, which contains all System Alarms and Exception Alarms associated with the train.

The SmartScanNG² system calculates a checksum for each train. This checksum is stored with the train data. Later, when the system retrieves this data, it recalculates the checksum. If the two checksums don't match, the Train Detail report so states (as shown below).

```

Southern Technologies Corporation
Next Generation Detector System
TRAIN DETAIL
=====
CHECKSUM ERROR: StartAddr 134879 EndAddr 134930

```

In addition, each axle has a checksum associated with it. If an axle is determined to have an invalid checksum, the Train Detail report so states in the associated axle's row (as shown below).

```

Southern Technologies Corporation
Next Generation Detector System
TRAIN DETAIL
=====
.
.
.
-----
Car  Axle  Trk  North  South  ON  OFF  PW1  PW2  Alarms
-----
1    1    0    56     21    25   0    6    6
    2    0    57     21    25   59    6    6
    3    0    56     21    25   59    8    8
    4    CHECKSUM ERROR: StartAddr 136416 EndAddr 136427
    5    1    56     21    25   59    6    6
    6    1    56     21    25   59    6    6
2    7    2    56     20    25  162    6    6
    8    2    56     21    25   59    6    6
.
.
.

```

The table below lists the fields from the header section and the contents of each field.

Heading	Contents of Field
Train#	The number that identifies the train in the Trains directory.
Date	The date the train arrived at the site. Date is in mm/dd/yy format. Section 4.0 - Serial Interface tells how to change this value using the Date and Time submenu of the Setup Menu.
Time	The time the train arrived at the site. Time is in 24-hour hh:mm format, where 8 a.m. is 08:00, noon is 12:00, 8 p.m. is 20:00, and midnight is 00:00. Section 4.0 - Serial Interface tells how to change this value using the Date and Time submenu of the Setup Menu.
Length	The length of train in feet.
Speed	The train's minimum, maximum, average, and exit speeds in miles per hour.
Axles	The total number of axles counted by the SmartScanNG ² system.
Direction	The direction the train was traveling. Valid values are North, South, East, and West.
Shutters Open	The number of seconds it took the train to pass over the site.
MP/KP	The five-digit milepost/kilometer post of the site. Section 4.0 - Serial Interface tells how to change this value using the MP/KP submenu of the Setup Menu.
Track	The track designator of the site. For single-track sites, the value is Single. For double-track sites, valid values are North, South, East, West, Main 1, Main 2, Main 3, and Middle. Section 4.0- Serial Interface tells how to set this value using the Track Number submenu of the Setup Menu.
Temperature	The ambient temperature at the time the train arrived at the site. Temperature is in degrees Fahrenheit.
Battery	The system battery voltage at the time the train passed the site.
Brng	Location of the bearing scanners. If the track orientation is east and west, the bearing scanners are labeled north and south. If the track orientation is north and south, they are labeled east and west
Max	The maximum temperature, above the ambient temperature in degrees Fahrenheit, recorded by the bearing scanner on a given railside. For example, if the ambient temperature (at the time the train arrived at the site) is 77°F (25°C) and the value in this field is 112, the maximum temperature would be 189°F (87.2°C).
Avg	The average temperature, above the ambient temperature in degrees Fahrenheit, calculated from all recorded temperatures from the bearing scanner on a given railside. For example, if the ambient temperature (at the time the train arrived at the site) is 86°F (30°C) and the value in this field is 55, the average temperature would be 141°F (60.6°C).

Heading	Contents of Field
Resistor Read	The scanner resistor temperature (read after train passage), in degrees Fahrenheit, recorded by the bearing scanner on a given railside.
Resistor Req	The resistor temperature, in degrees Fahrenheit, required by the bearing scanner on a given railside to avoid a Cold Resistor alarm. This value was calculated using the amount of time the shutters were open and the Resistor Test Mode option in effect at the time the train exits the site. If the Resistor Test Mode option is <u>disabled</u> , a zero appears in this field.
	<p>One of five uppercase letters follows the Resistor Req temperature.</p> <ul style="list-style-type: none"> B The baseline resistor integrity test method was used for this train. D The resistor integrity test (that is, the Resistor Test Mode option) was disabled by the user. I The interim resistor integrity test method was used for this train. T For this train, the shutters were open for less than 30 seconds. V For this train, the battery voltage (measured with the shutters open) was less than 12.5 volts. <p>For D, T, and V, the required resistor heat is set to zero (that is, a zero appears in the Resistor Read field). A T or V indicates that the integrity test was not performed due to low voltage or insufficient shutter open time, which could result in an invalid resistor integrity test if it was performed.</p>
CF	The percentage difference between the required resistor value and the value that was actually read. For example, if the required resistor temperature is 180 and the actual resistor temperature is 135 the correction factor would be 25% ($1 - (135 / 180) = .25$), and 25 would appear in this field.
Txdr Counts	The gating transducer designator (either TO1 or TO2) followed by the total number of hits on that transducer.
Alarm Limit	<p>The Hotwheel alarm level; the Hotbox alarm levels for Absolute and Differential; and the Cold Rail Temperature offset. These values were in place at the time the train arrived at the site.</p> <ul style="list-style-type: none"> • The value after Absolute is set by the Absolute option on the Alarm Settings menu. • The value after Differential is set by the Differential option on the Alarm Settings menu. • The value after Hot Wheel is set by the Hotwheel option on the Alarm Settings menu. • The value after Cold Rail Temp is set by the Cold Rail Temperature option on the Alarm Settings menu. <p>Section 4.0 - Serial Interface tells how to set these values.</p>

Heading	Contents of Field
Carside Parm	<p>The Carside Slope alarm parameter values that were in place at the time the train arrived at the site.</p> <ul style="list-style-type: none"> • The value after Carside Slope is set by the Carside Slope option on the Alarm Settings menu. • The value after Minimum is set by the Carside Minimum option on the Alarm Settings menu. <p>Section 4.0 - Serial Interface tells how to set these values.</p>
Resistor Test Mode	<p>The status of the post-train resistor integrity test at the time the train arrived at the site. Valid values (aka modes) are Enabled, Reduced, and Disabled. Section 4.0 - Serial Interface tells how to set this value using the Resistor Test Mode option on the Equipment Settings menu.</p>
Wheel	<p>The location of the wheel scanners. If the track orientation is east and west, the wheel scanners are labeled north and south. If the track orientation is north and south, they are labeled east and west. This field only appears when Hotwheel alarm reporting is <u>enabled</u> using the Hotwheel option on the Equipment Settings menu.</p>
Max	<p>The maximum temperature, above the ambient temperature in degrees Fahrenheit, recorded by the wheel scanner on a given railside. This field only appears when Hotwheel alarm reporting is <u>enabled</u> using the Hotwheel option on the Equipment Settings menu.</p>
Avg	<p>The average temperature, above the ambient temperature in degrees Fahrenheit, calculated from all recorded temperatures from the wheel scanner on a given railside. This field only appears when Hotwheel alarm reporting is <u>enabled</u> using the Hotwheel option on the Equipment Settings menu.</p>
Resistor Read	<p>The scanner resistor temperature (read after train passage), in degrees Fahrenheit, recorded by the wheel scanner on a given railside. This field only appears when Hotwheel alarm reporting is <u>enabled</u> using the Hotwheel option on the Equipment Settings menu.</p>
Resistor Req	<p>The resistor temperature, in degrees Fahrenheit, required by the wheel scanner on a given railside to avoid a Cold Wheel Scanner Resistor alarm. This value was calculated using the amount of time the shutters were open and the Resistor Test Mode option in effect at the time the train exits the site. If the Resistor Test Mode option is <u>disabled</u>, a zero appears in this field. This field only appears when Hotwheel alarm reporting is <u>enabled</u> using the Hotwheel option on the Equipment Settings menu.</p>

Heading	Contents of Field
	<p>One of five uppercase letters follows the Resistor Req temperature.</p> <ul style="list-style-type: none"> B The baseline resistor integrity test method was used for this train. D The resistor integrity test (that is, the Resistor Test Mode option) was disabled by the user. I The interim resistor integrity test method was used for this train. T For this train, the shutters were open for less than 30 seconds. V For this train, the battery voltage (measured with the shutters open) was less than 12.5 volts. <p>For D, T, and V, the required resistor heat is set to zero (that is, a zero appears in the Resistor Read field). A T or V indicates that the integrity test was not performed due to low voltage or insufficient shutter open time, which could result in an invalid resistor integrity test if it was performed.</p>
CF	The percentage difference between the required resistor value and the value that was actually read. For example, if the required resistor temperature is 180 and the actual resistor temperature is 135 the correction factor would be 25% ($1 - (135 / 180) = .25$), and 25 would appear in this field.
AEI System Data	The number of AEI tags read (by antenna0 and antenna1) and the total number of tags stored for the train. Where both tags of a tag pair are operational, each antenna will read one tag of the pair. The total number of tags stored represents the number of tag pairs found plus those single tags that lack a match. This heading and the columns under it appear only when the AEI subsystem is <u>enabled</u> using the AEI option on the Equipment Settings menu.
Firmware Versions	The version numbers of the firmware and their release dates, which are in mm/dd/yy format. This firmware resides on the processor modules.

The table below lists the fields from the system-events section and the contents of each field.

Heading	Contents of Field
System Alarms	Lists any System Alarms and Integrity Failures detected at the time the train passed the site. If none were detected, this header is followed by the word "none." Appendix A - System Alarms describes the conditions and events that the system flags as System Alarms. Appendix B - Integrity Failures describes the conditions and events that the system flags as Integrity Failures.
Axle Alarm Summary	Lists each Exception Alarm found on the train and the axle on which it was found. If none were found, this header is followed by the word "none."

The table below lists the fields from the detail section and the contents of each field.

Heading	Contents of Field
Car	The car number as determined by the firmware.
Axle	The axle number.
Trk	The truck number. Each railroad vehicle has two or more trucks (that is, wheel assemblies). The trucks are numbered, starting with 0, and increasing from the beginning of the train to the end. Each axle record is associated with one of these trucks. The axles are assigned the number of the truck with which they've been associated. These assigned truck numbers appear in this field. If the Hotwheel option on the Equipment Settings menu is <u>enabled</u> , this field doesn't appear.
Rail	Under this heading are two columns, one for each bearing scanner, containing the temperature read by the bearing scanners. If the track orientation is east and west, the bearing scanners are labeled north and south. If the track orientation is north and south, they are labeled east and west. If the Hotwheel option on the Equipment Settings menu is <u>disabled</u> , the word "Rail" doesn't appear, but the two columns do.
Wheel	Under this heading are two columns, one for each wheel scanner, containing the temperature read by the wheel scanners. If the track orientation is east and west, the wheel scanners are labeled north and south. If the track orientation is north and south, they are labeled east and west. This heading and the two columns under it appear only when the Hotwheel option on the Equipment Settings menu is <u>enabled</u> .
ON	The number of milliseconds a bearing was scanned.
OFF	The number of milliseconds between axles (when no axle was between the gating transducers).
PW1	The recorded width of the pulse generated by gating transducer TO1. There is no fixed value for the pulse widths. Slower trains generate wider pulse widths (that is, they generate larger values) than faster moving trains.
PW2	The recorded width of the pulse generated by gating transducer TO2. There is no fixed value for the pulse widths. Slower trains generate wider pulse widths (that is, they generate larger values) than faster moving trains.
Alarms	Any Exception Alarm found on the given axle.

To produce an extended Train Detail report:

- 1 Using the serial interface, display the Main Menu.

Section 4.0 - Serial Interface tells how to display the Main Menu. The Main Menu looks like this.

```
SmartSCAN NG2
02/11/2021 09:12:21 EST
Main Menu - Comm
-----
[A] - Train Summary
[B] - Train Detail
[C] - Exception Summary
[D] - Exception Detail
[E] - System Status Report
      .
      .
      .
```

- 2 Select **Train Detail**.

This prompt appears.

```
Enter Train Number:
```

- 3 Type the train number.
- 4 If you typed one or two digits, press **[Enter]**.

This prompt appears.

```
Abbreviated? (y/n)
```

- 5 Type **N** to produce an extended Train Detail report.
- 6 To exit the serial interface and return the SmartScanNG² system to normal operation, type **X**

6.3 Train Detail Report (Abbreviated)

The abbreviated Train Detail report is like the extended Train Detail report. However, the abbreviated report doesn't display all the recorded axle data. It only displays axle data for:

- The car immediately preceding a car with an alarmed axle.
- The car containing the alarmed axle.
- The car immediately following the car with the alarmed axle.

Like the extended Exception Detail report, the abbreviated Exception Detail report is divided into three sections. The header section contains general information about the site (like the MP/KP) and some detail information about the specific train (like the train's exit speed) that passed the site. The detail section contains more detailed information (like the car number) about the specific train. In between these two sections is the system events section, which contains all System Alarms and Exception Alarms associated with the train.

Southern Technologies Corporation
 Next Generation Detector System
 TRAIN DETAIL
 ABBREVIATED

```

=====
Train#: 18           Axles: 276           Speed           MP/KP: 1234.5
Date: 02/1121       Cars: 68           Min: 24         Track: North
Time: 04:13         Direction: North   Max: 33         Temperature: +27F
                   Shutters Open: 112 Avg: 26         Battery: 13.1v
                   Length: 4069      Exit: 32
=====
  
```

```

=====
Scanner      Max Avg Read Req CF      Txdr      Alarm      Limit  Carside Parm
-----
East Brng 29 15 300 288B 0  TO1 276  Absolute    150  Slope: 1.31
West Brng 30 13 278 256B 0  TO2 276  Differential 255  Minimum: 90
                   Hot Wheel    500
                   Cold Rail Temp 10
Resistor Test Mode: Disabled      High/Wide Alarm Direction: BOTH
=====
  
```

Software Version: ARR_01-01 2020-02-10

 System Alarms

Integrity Failure
 Stuck Dragger During Train Passage

 Axle Alarm Summary

1 Dragging Equipment

•
•
•

Announcements made

```

" c s x detector milepost 1 2 3 4 point 5 north track "
" c s x detector milepost 1 2 3 4 point 5 north track you have a defect "
" c s x detector milepost 1 2 3 4 point 5 north track dragging equipment near axle
1 total axles 2 7 6 temperature 2 7 Integrity Failure "
" c s x detector milepost 1 2 3 4 point 5 north track dragging equipment near axle
1 total axles 2 7 6 temperature 2 7 Integrity Failure detector out "
  
```

 Rail
 Car Axle East West ON OFF PW1 PW2 Alarms

```

-----
1  1  0  0  55  0  21  20  Dragging Equipment
   2  0  0  55 128 21  20
   3  5  2  55 127 18  18
   4  3  3  55 902 20  19
   5  3  2  55 128 20  19
   6  0  0  55 127 18  17
  Carside Ave: East 2 West 1  Carside Alarms: East 92 West 91

2  7  9  10  55 334 21  21
   8  6  3  55 128 21  21
   9  5  10  55 128 21  20
  10  1  9  55 944 21  20
  11  6  9  55 128 21  21
  12  5  14  55 128 21  20
  Carside Ave: East 6 West 10  Carside Alarms: East 97 West 103
  
```

Train Detail - Abbreviated

To produce an abbreviated Train Detail report:

- 1 Using the serial interface, display the Main Menu.

Section 4.0 - Serial Interface tells how to display the Main Menu. The Main Menu looks like this.

```
SmartSCAN NG2
02/11/2021 09:12:21 EST
Main Menu - Comm
-----
[A] - Train Summary
[B] - Train Detail
[C] - Exception Summary
[D] - Exception Detail
[E] - System Status Report
      .
      .
      .
```

- 2 Select **Train Detail**.

This prompt appears.

```
Enter Train Number:
```

- 3 Type the train number.
- 4 If you typed one or two digits, press **[Enter]**.

This prompt appears.

```
Abbreviated? (y/n)
```

- 5 Type **Y** to produce an abbreviated Train Detail report.
- 6 To exit the serial interface and return the SmartScanNG² system to normal operation, type **X**

6.4 Exception Summary Report

The Exception Summary report lists all trains currently stored in the Exceptions directory. (A train is stored in the Exceptions directory if either an Exception Alarm or an Integrity Failure was detected on it as it passed the site.) A train number is shown for each train entry so that an Exception Detail report may easily be produced for any train listed on the summary.

The report is divided into a header section and a detail section. The header section contains general information about the site. The detail section contains summary information on each exception train (that is, on each train having an Exception Alarm, an Integrity Failure, or both) that passed the site.

The SmartScanNG² system calculates a checksum for each train. This checksum is stored with the train data. Later, when the system retrieves this data, it recalculates the checksum. If the two checksums don't match, the Exception Summary report so states in the detail section. So, instead of getting a train record, you'll get a checksum-error line.

Below is a sample of part of an Exception Summary report when Hotwheel alarm detection was disabled during report processing and when the AEI subsystem was disabled during train passage. (When the report is run, if the Hotwheel option on the Equipment Settings menu is disabled, the hotwheel information is hidden. When the report is run, if the AEI option is disabled, the tag information isn't hidden.) The contents of your report will be different. The version information in the sample below is for illustrative purposes only. It doesn't represent any real release of the firmware.

```

Southern Technologies Corporation
Next Generation Detector System
EXCEPTION SUMMARY
=====
Software Version: ARR_01-01 2020-02-10                MP/KP: 1234.5
                                                    Track: North

Current Alarm Settings
Absolute..... 150   Carside Slope... 1.31
Differential.. 255   Minimum..... 90
Hot Wheel..... 500   Cold Rail Temp.. 10

Total Trains: 20
=====

```

Train#	Ref#	Date	Time	Cars	Axles	T01	T02	D i	Speed			Bearing Average		Bearing Maximum		Amb	
									Min	Max	Xit	East	West	East	West	Temp	Bat
19	B	19 02/11/21	05:08	67	272	272	272	S	6	30	10	23	21	48	49	+24F	13.0v
18	B	18 02/11/21	04:13	68	276	276	276	N	24	33	32	15	13	29	30	+27F	13.1v
17	B	17 02/11/21	03:51	52	332	332	332	N	23	36	36	15	14	35	39	+27F	13.0v
16	B	16 02/11/21	03:14	131	530	530	530	N	9	29	29	8	5	27	20	+27F	13.0v
15	B	15 02/11/21	01:26	49	318	318	318	S	7	11	8	17	16	34	31	+27F	13.1v
14	B	14 02/11/21	00:49	75	304	304	304	S	5	14	9	19	17	36	34	+26F	13.0v
13	B	13 02/11/21	00:08	85	346	346	346	N	21	32	32	17	16	40	30	+27F	12.9v

Below is a sample of part of an Exception Summary report when the Hotwheel option on the Equipment Settings menu is enabled. The contents of your report will be different.

```

      .
      .
      .
Current Alarm Settings
Absolute..... 150   Carside Slope... 1.31
Differential.. 255   Minimum..... 90
Hot Wheel..... 500   Cold Rail Temp.. 10

Total Trains: 20
-----
Train# Ref#   Date   Time Cars Axles TO1  TO2  D   Bearing   Wheel
          i   Speed   Average   Maximum   Amb
          r Min Max Xit East  West  East West  Temp  Bat
-----
      .
      .
      .

```

The table below lists the fields from the header section and the contents of each field.

Heading	Contents of Field
Version Info	The version numbers of the firmware and their release dates, which are in mm/dd/yy format. This firmware resides on the processor modules.
MP/KP	The five-digit milepost/kilometer post of the site. Section 4.0 - Serial Interface tells how to change this value using the MP/KP submenu.
Track	The track designator of the site. For single-track sites, the value is Single. For double-track sites, valid values are North, South, East, West, Main 1, Main 2, Main 3, and Middle. Section 4.0 - Serial Interface tells how to set this value using the Track Number submenu of the Setup Menu.
Alarm Limits	<p>The alarm parameters currently defined in the system setup. These values were in place at the time this report was run.</p> <ul style="list-style-type: none"> • The value after Absolute is set by the Absolute option on the Alarm Settings menu. • The value after Differential is set by the Differential option on the Alarm Settings menu. • The heading Hot Wheel only appears when the Hotwheel option on the Equipment Settings menu is enabled. The value after Hot Wheel is set by the Hotwheel option on the Alarm Settings menu. • The value after Carside Slope is set by the Carside Slope option on the Alarm Settings menu. • The value after Minimum is set by the Carside Minimum option on the Alarm Settings menu. • The value after Cold Rail Temp is set by the Cold Rail Temperature option on the Alarm Settings menu. <p>Section 4.0 - Serial Interface tells how to set these values.</p>
Total Trains	The total number of trains visiting the site since the Trains directory was last cleared.

The table below lists the fields from the detail section and the contents of each field.

Heading	Contents of Field
Train#	The number that identifies the train in the Exceptions directory.
	There is one unlabeled column between those labeled "Train#" and "Date." This column can contain A, B, I, S , or nothing. If "A," an Exception Alarm was detected on the train. If "I," an Integrity Failure was detected. If "B," both an Exception Alarm and an Integrity Failure were detected. If "S," a System Alarm was detected, but Exception Alarms and Integrity Failures weren't. If blank, no Exception Alarm, Integrity Failure, or System Alarm was detected.
Date	The date the train arrived at the site. Date is in mm/dd/yy format. Section 4.0 - Serial Interface tells how to change this value using the Date and Time submenu of the Setup Menu.
Time	The time the train arrived at the site. Time is in 24-hour hh:mm format, where 8 a.m. is 08:00, noon is 12:00, 8 p.m. is 20:00, and midnight is 00:00. Section 4.0 - Serial Interface tells how to change this value using the Date and Time submenu of the Setup Menu.
Cars	The total number of cars counted by the SmartScanNG ² system.
Axles	The total number of axles counted by the SmartScanNG ² system.
TO1	The total number of hits counted by gating transducer TO1. TO1 is the first gating transducer going north or east from the bearing scanner. It is the gating transducer <u>closest</u> to the bearing scanner.
TO2	The total number of hits counted by gating transducer TO2. TO2 is the second gating transducer going north or east from the bearing scanner. It is the gating transducer <u>farthest</u> from the bearing scanner.
AEI Tags	The total number of AEI tags stored. The number of tag pairs found plus those single tags that lack a match. This heading always appears, even if the AEI subsystem is disabled using the AEI option on the Equipment Settings menu.
Speed (mph)	The train's exit speed in miles per hour.
Dir	The direction the train was traveling. Valid values are N, S, E, and W.
Bearing Average	Under this heading are two columns, one for each bearing scanner, containing the average temperature read by the bearing scanners. If the track orientation is east and west, the bearing scanners are labeled north and south. If the track orientation is north and south, they are labeled east and west.
Wheel Maximum	Under this heading are two columns, one for each wheel scanner, containing the maximum temperature read by the wheel scanners. If the track orientation is east and west, the wheel scanners are labeled north and south. If the track orientation is north and south, they are labeled east and west. This field appears only when the Hotwheel option on the Equipment Settings menu is enabled.
Amb Temp	The ambient temperature, in degrees Fahrenheit, at the time the train arrived at the site.
Bat	The system battery voltage at the time the train passed the site.

To produce an Exception Summary report:

- 1 Using the serial interface, display the Main Menu.

Section 4.0 - Serial Interface tells how to display the Main Menu. The Main Menu looks like this.

```
SmartSCAN NG2
02/11/2021 09:18:44 EST
Main Menu - Comm
-----
[A] - Train Summary
[B] - Train Detail
[C] - Exception Summary
[D] - Exception Detail
[E] - System Status Report
      .
      .
      .
```

- 2 Select the **Exception Summary** report.
- 3 To exit the serial interface and return the SmartScanNG² system to normal operation, type **X**

6.5 Exception Detail Report

The Exception Detail report provides detailed information on a single train. When choosing this report, you'll be prompted for a train number. When prompted, enter a train number from the Exception Summary report. The train number appears under the column titled "Train#" in the detail section of the Exception Summary report.

Carside Slope alarm detection is enabled/disabled using the Carside Slope option on the Equipment Settings menu. Hotwheel alarm reporting is enabled/disabled using the Hotwheel option on the Equipment Settings menu. The AEI subsystem is enabled/disabled using the AEI option on the Equipment Settings menu.

Where wheel scanners are properly installed, wheel temperatures are always recorded, even if the Hotwheel option is disabled. On the other hand, if the AEI option is disabled during train passage, no AEI information is recorded. If the Carside Slope option is disabled during train passage, no Carside Slope alarms are generated. But, if it is enabled at the time a report is requested, a carside-slope alarm-limit line is generated for each car of the train.

Below is a sample of part of an Exception Detail report when both the Hotwheel option and Carside Slope option were enabled at the time the report was requested. The AEI option was disabled. The contents of your report will be different. The version information in the sample below is for illustrative purposes only. It doesn't represent any real release of the firmware.

```

Southern Technologies Corporation
Next Generation Detector System
EXCEPTION DETAIL
=====
Train#: 18                Axles: 276                Speed                    MP/KP: 1234.5
Date: 02/11/21           Cars: 68                  Min: 24                  Track: North
Time: 04:13              Direction: North          Max: 33                  Temperature: +27F
                          Shutters Open: 112       Avg: 26                  Battery: 13.1v
                          Length: 4069             Exit: 32
=====
Scanner      Max Avg Read Req  CF    Txdr    Counts    Alarm    Limit    Carside Parm
-----
East  Brng  29  15  300 288B  0    T01 276  Absolute    150  Slope:  1.31
West  Brng  30  13  278 256B  0    T02 276  Differential 255  Minimum: 90
                          Hot Wheel    500
                          Cold Rail Temp 10
Resistor Test Mode: Disabled          High/Wide Alarm Direction: BOTH
=====
Software Version: ARR_01-01 2020-02-10
-----
System Alarms

Integrity Failure
Stuck Dragger During Train Passage
-----

Axle Alarm Summary

1 Dragging Equipment
-----

Diagnostic info

xdcrlUnexpectedRisingEdges: 0
xdcr2UnexpectedRisingEdges: 0
xdcrlUnexpectedFallingEdges: 0
xdcr2UnexpectedFallingEdges: 0
xdcrlSpikes: 0
xdcr2Spikes: 0
xdcrlNoiseCtr: 0
xdcrlNoiseCtr: 0
.
.
.

(continued on next page)

```

•
•
•

Announcements made

" c s x detector milepost 1 2 3 4 point 5 north track "
" c s x detector milepost 1 2 3 4 point 5 north track you have a defect "
" c s x detector milepost 1 2 3 4 point 5 north track dragging equipment near axle
1 total axles 2 7 6 temperature 2 7 Integrity Failure "
" c s x detector milepost 1 2 3 4 point 5 north track dragging equipment near axle
1 total axles 2 7 6 temperature 2 7 Integrity Failure detector out "

Rail

Car	Axle	East	West	ON	OFF	PW1	PW2	Alarms
1	1	0	0	55	0	21	20	Dragging Equipment
	2	0	0	55	128	21	20	
	3	5	2	55	127	18	18	
	4	3	3	55	902	20	19	
	5	3	2	55	128	20	19	
	6	0	0	55	127	18	17	
	Carside Ave: East			2	West	1		Carside Alarms: East 92 West 91
2	7	9	10	55	334	21	21	
	8	6	3	55	128	21	21	
	9	5	10	55	128	21	20	
	10	1	9	55	944	21	20	
	11	6	9	55	128	21	21	
	12	5	14	55	128	21	20	
	Carside Ave: East			6	West	10		Carside Alarms: East 97 West 103
3	13	23	24	55	262	21	21	
	14	11	15	55	107	20	20	
	15	15	21	55	1057	22	20	
	16	28	21	55	107	20	19	
	Carside Ave: East			24	West	30		Carside Alarms: East 121 West 129
4	17	23	20	55	159	17	16	
	18	27	25	55	108	20	19	
	19	10	5	55	983	21	21	
	20	9	11	55	106	21	21	
	Carside Ave: East			30	West	25		Carside Alarms: East 129 West 122
5	21	7	14	55	162	21	20	
	22	9	9	55	107	20	19	
	23	10	6	55	1057	21	20	
	24	12	14	55	107	21	21	
	Carside Ave: East			13	West	14		Carside Alarms: East 107 West 108
6	25	7	7	55	189	20	19	
	26	29	21	55	107	18	17	
	27	14	11	55	1059	21	21	
	28	21	10	55	108	21	21	
	Carside Ave: East			25	West	19		Carside Alarms: East 122 West 114
7	29	16	18	55	186	22	22	
	30	15	12	55	106	18	17	
	31	10	9	55	1058	22	21	
	32	25	11	55	107	21	21	
	Carside Ave: East			20	West	19		Carside Alarms: East 116 West 114

•
•
•

The extended Exception Detail report is divided into three sections. The header section contains general information about the site (like the MP/KP) and some detail information about the specific train (like the train's exit speed) that passed the site. The detail section contains more detailed information (like the car number) about the specific train. In between these two sections is the system-events section, which contains all System Alarms and Exception Alarms associated with the train.

The SmartScanNG² system calculates a checksum for each train. This checksum is stored with the train data. Later, when the system retrieves this data, it recalculates the checksum. If the two checksums don't match, the extended Exception Detail report so states (as shown below).

```

Southern Technologies Corporation
Next Generation Detector System
EXCEPTION DETAIL
=====
CHECKSUM ERROR: StartAddr 134879 EndAddr 134930

```

In addition, each axle has a checksum associated with it. If an axle is determined to have an invalid checksum, the extended Exception Detail report so states in the associated axle's row (as shown below).

```

Southern Technologies Corporation
Next Generation Detector System
EXCEPTION DETAIL
=====
      .
      .
      .
-----
Car  Axle  Trk  North  South  ON  OFF  PW1  PW2  Alarms
-----
  1    1    0   56    21   25   0    6    6
    2    0   57    21   25   59    6    6
    3    0   56    21   25   59    8    8
    4      CHECKSUM ERROR: StartAddr 136416 EndAddr 136427
    5    1   56    21   25   59    6    6
    6    1   56    21   25   59    6    6
  2    7    2   56    20   25  162    6    6
    8    2   56    21   25   59    6    6
      .
      .
      .

```

The table below lists the fields from the header section and the contents of each field.

Heading	Contents of Field
Train#	The number that identifies the train in the Exceptions directory.
Date	The date the train arrived at the site. Date is in mm/dd/yy format. Section 4.0 - Serial Interface tells how to change this value using the Date and Time submenu of the Setup Menu.
Time	The time the train arrived at the site. Time is in 24-hour hh:mm format, where 8 a.m. is 08:00, noon is 12:00, 8 p.m. is 20:00, and midnight is 00:00. Section 4.0 - Serial Interface tells how to change this value using the Date and Time submenu of the Setup Menu.
Length	The length of the train in feet.
Speed	The train's exit speed in miles per hour.
Axles	The total number of axles counted by the SmartScanNG ² system.
Direction	The direction the train was traveling. Valid values are North, South, East, and West.
Shutters Open	The number of seconds it took the train to pass over the site.
MP/KP	The five-digit milepost/kilometer post of the site. Section 4.0 - Serial Interface tells how to change this value using the MP/KP submenu.
Track	The track designator of the site. For single-track sites, the value is Single. For double-track sites, valid values are North, South, East, West, Main 1, Main 2, Main 3, and Middle. Section 4.0 - Serial Interface tells how to set this value using the Track Number submenu of the Setup Menu.
Temperature	The ambient temperature at the time the train arrived at the site. Temperature is in degrees Fahrenheit.
Battery	The system battery voltage at the time the train passed the site.
Rail	Location of the bearing scanners. If the track orientation is east and west, the bearing scanners are labeled north and south. If the track orientation is north and south, they are labeled east and west
Max	The maximum temperature, above the ambient temperature in degrees Fahrenheit, recorded by the bearing scanner on a given railside. For example, if the ambient temperature (at the time the train arrived at the site) is 77°F (25°C) and the value in this field is 112, the maximum temperature would be 189°F (87.2°C).
Avg	The average temperature, above the ambient temperature in degrees Fahrenheit, calculated from all recorded temperatures from the bearing scanner on a given railside. For example, if the ambient temperature (at the time the train arrived at the site) is 86°F (30°C) and the value in this field is 55, the average temperature would be 141°F (60.6°C).

Heading	Contents of Field
Resistor Read	The scanner resistor temperature (read after train passage), in degrees Fahrenheit, recorded by the bearing scanner on a given railside.
Resistor Req	The resistor temperature, in degrees Fahrenheit, required by the bearing scanner on a given railside to avoid a Cold Resistor alarm. This value was calculated using the amount of time the shutters were open and the Resistor Test Mode option in effect at the time the train exits the site. If the Resistor Test Mode option is <u>disabled</u> , a zero appears in this field.
	<p>One of five uppercase letters follows the Resistor Req temperature.</p> <ul style="list-style-type: none"> B The baseline resistor integrity test method was used for this train. D The resistor integrity test (that is, the Resistor Test Mode option) was disabled by the user. I The interim resistor integrity test method was used for this train. T For this train, the shutters were open for less than 30 seconds. V For this train, the battery voltage (measured with the shutters open) was less than 12.5 volts. <p>For D, T, and V, the required resistor heat is set to zero (that is, a zero appears in the Resistor Read field). A T or V indicates that the integrity test was not performed due to low voltage or insufficient shutter open time, which could result in an invalid resistor integrity test if it was performed.</p>
CF	The percentage difference between the required resistor value and the value that was actually read. For example, if the required resistor temperature is 180 and the actual resistor temperature is 135 the correction factor would be 25% ($1 - (135 / 180) = .25$), and 25 would appear in this field.
Txdr Counts	The gating transducer designator (either TO1 or TO2) followed by the total number of hits on that transducer.
Alarm Limit	<p>The Hotwheel alarm level; the Hotbox alarm levels for Absolute and Differential; and the Cold Rail Temperature offset. These values were in place at the time the train arrived at the site.</p> <ul style="list-style-type: none"> • The value after Absolute is set by the Absolute option on the Alarm Settings menu. • The value after Differential is set by the Differential option on the Alarm Settings menu. • The value after Hot Wheel is set by the Hotwheel option on the Alarm Settings menu. • The value after Cold Rail Temp is set by the Cold Rail Temperature option on the Alarm Settings menu. <p>Section 4.0 - Serial Interface tells how to set these values.</p>

Heading	Contents of Field
Carside Params	<p>The Carside Slope alarm parameter values that were in place at the time the train arrived at the site.</p> <ul style="list-style-type: none"> • The value after Carside Slope is set by the Carside Slope option on the Alarm Settings menu. • The value after Minimum is set by the Carside Minimum option on the Alarm Settings menu. <p>Section 4.0 - Serial Interface tells how to set these values.</p>
Resistor Test Mode	<p>The status of the post-train resistor integrity test at the time the train arrived at the site. Valid values (aka modes) are Enabled, Reduced, and Disabled. Section 4.0 - Serial Interface tells how to set this value using the Resistor Test Mode option on the Equipment Settings menu.</p>
Wheel	<p>The location of the wheel scanners. If the track orientation is east and west, the wheel scanners are labeled north and south. If the track orientation is north and south, they are labeled east and west. This field only appears when Hotwheel alarm reporting is <u>enabled</u> using the Hotwheel option on the Equipment Settings menu.</p>
Max	<p>The maximum temperature, above the ambient temperature in degrees Fahrenheit, recorded by the wheel scanner on a given railside. This field only appears when Hotwheel alarm reporting is <u>enabled</u> using the Hotwheel option on the Equipment Settings menu.</p>
Avg	<p>The average temperature, above the ambient temperature in degrees Fahrenheit, calculated from all recorded temperatures from the wheel scanner on a given railside. This field only appears when Hotwheel alarm reporting is <u>enabled</u> using the Hotwheel option on the Equipment Settings menu.</p>
Resistor Read	<p>The scanner resistor temperature (read after train passage), in degrees Fahrenheit, recorded by the wheel scanner on a given railside. This field only appears when Hotwheel alarm reporting is <u>enabled</u> using the Hotwheel option on the Equipment Settings menu.</p>
Resistor Req	<p>The resistor temperature, in degrees Fahrenheit, required by the wheel scanner on a given railside to avoid a Cold Wheel Scanner Resistor alarm. This value was calculated using the amount of time the shutters were open and the Resistor Test Mode option in effect at the time the train exits the site. If the Resistor Test Mode option is <u>disabled</u>, a zero appears in this field. This field only appears when Hotwheel alarm reporting is <u>enabled</u> using the Hotwheel option on the Equipment Settings menu.</p>

Heading	Contents of Field
	<p>One of five uppercase letters follows the Resistor Req temperature.</p> <ul style="list-style-type: none"> B The baseline resistor integrity test method was used for this train. D The resistor integrity test (that is, the Resistor Test Mode option) was disabled by the user. I The interim resistor integrity test method was used for this train. T For this train, the shutters were open for less than 30 seconds. V For this train, the battery voltage (measured with the shutters open) was less than 12.5 volts. <p>For D, T, and V, the required resistor heat is set to zero (that is, a zero appears in the Resistor Read field). A T or V indicates that the integrity test was not performed due to low voltage or insufficient shutter open time, which could result in an invalid resistor integrity test if it was performed.</p>
CF	The percentage difference between the required resistor value and the value that was actually read. For example, if the required resistor temperature is 180 and the actual resistor temperature is 135 the correction factor would be 25% ($1 - (135 / 180) = .25$), and 25 would appear in this field.
AEI System Data	The number of AEI tags read (by antenna0 and antenna1) and the total number of tags stored for the train. Where both tags of a tag pair are operational, each antenna will read one tag of the pair. The total number of tags stored represents the number of tag pairs found plus those single tags that lack a match. This heading and the columns under it appear only when the AEI subsystem is <u>enabled</u> using the AEI option on the Equipment Settings menu.
Firmware Versions	The version numbers of the firmware and their release dates, which are in mm/dd/yy format. This firmware resides on the processor modules.

The table below lists the fields from the system-events section and the contents of each field.

Heading	Contents of Field
System Alarms	Lists any System Alarms and Integrity Failures detected at the time the train passed the site. If none were detected, this header is followed by the word "none." Appendix A - System Alarms describes the conditions and events that the system flags as System Alarms. Appendix B - Integrity Failures describes the conditions and events that the system flags as Integrity Failures.
Axle Alarm Summary	Lists each Exception Alarm found on the train and the axle on which it was found. If none were found, this header is followed by the word "none."

The table below lists the fields from the detail section and the contents of each field.

Heading	Contents of Field
Car	The car number as determined by the firmware.
Axle	The axle number.
Trk	The truck number. Each railroad vehicle has two or more trucks (that is, wheel assemblies). The trucks are numbered, starting with 0, and increasing from the beginning of the train to the end. Each axle record is associated with one of these trucks. The axles are assigned the number of the truck with which they've been associated. These assigned truck numbers appear in this field. If the Hotwheel option on the Alarm Settings menu is <u>enabled</u> , this field doesn't appear.
Rail	Under this heading are two columns, one for each bearing scanner, containing the temperature read by the bearing scanners. If the track orientation is east and west, the bearing scanners are labeled north and south. If the track orientation is north and south, they are labeled east and west. If Hotwheel alarm detection is <u>disabled</u> , the word "Rail" doesn't appear, but the two columns do.
Wheel	Under this heading are two columns, one for each wheel scanner, containing the temperature read by the wheel scanners. If the track orientation is east and west, the wheel scanners are labeled north and south. If the track orientation is north and south, they are labeled east and west. This heading and the two columns under it appear only when Hotwheel alarm detection is <u>enabled</u> .
ON	The number of milliseconds a bearing was scanned.
OFF	The number of milliseconds between axles (when no axle was between the gating transducers).
PW1	The recorded width of the pulse generated by gating transducer TO1. There is no fixed value for the pulse widths. Slower trains generate wider pulse widths (that is, they generate larger values) than faster moving trains.
PW2	The recorded width of the pulse generated by gating transducer TO2. There is no fixed value for the pulse widths. Slower trains generate wider pulse widths (that is, they generate larger values) than faster moving trains.
Alarms	Any Exception Alarm found on the given axle.

To produce the extended Exception Detail report:

- 1 Using the serial interface, display the Main Menu.

Section 4.0 - Serial Interface tells how to display the Main Menu. The Main Menu looks like this.

```
SmartSCAN NG2
02/16/2021 11:27:49 EST
Main Menu - Comm
-----
[A] - Train Summary
[B] - Train Detail
[C] - Exception Summary
[D] - Exception Detail
[E] - System Status Report
[F] - Last Train
      .
      .
      .
```

- 2 Select **Exception Detail**.

This prompt appears.

```
Enter Train Number:
```

- 3 Type the train number.

If you typed a three-digit invalid train number, the Main Menu reappears. If you typed a three-digit valid train number, the prompt below appears.

- 4 If you typed one or two digits, press **[Enter]**.

If you typed a three-digit invalid train number, the Main Menu reappears. If you typed a three-digit valid train number, this prompt appears.

```
Abbreviated? (y/n)
```

- 5 To produce the extended Exception Detail report, type **N**

If you typed an invalid train number, the Main Menu reappears. If the typed train number is valid, a report for that train is produced. The last line of the report reads: "END OF REPORT - Press any key..."

- 6 To exit the serial interface and return the SmartScanNG² system to normal operation, type **X**

6.6 Abbreviated Exception Detail Report

The abbreviated Exception Detail report is like the extended Exception Detail report. However, the abbreviated report doesn't display all the recorded axle data. It only displays axle data for:

- The car immediately preceding a car with an alarmed axle.
- The car containing the alarmed axle.
- The car immediately following the car with the alarmed axle.

For example, assume that a train consisted of 3 locomotives and 20 cars, and Exception Alarms were found on cars 3, 10, 15, and 17. The Abbreviated Exception Detail report for this train would only list axle data for cars 2, 3, 4, 9, 10, 11, 14, 15, 16, 17, and 18. These car numbers comprise the alarmed cars themselves and all cars immediately before and immediately after them.

Like the extended Exception Detail report, the abbreviated Exception Detail report is divided into three sections. The header section contains general information about the site (like the MP/KP) and some detail information about the specific train (like the train's exit speed) that passed the site. The detail section contains more detailed information (like the car number) about the specific train. In between these two sections is the system-events section, which contains all System Alarms and Exception Alarms associated with the train.

Below is a sample of part of an abbreviated Exception Detail report when the AEI option, the Carside Slope option, and the Hotwheel option were all disabled at the time the report was requested. The contents of your report will be different.

Southern Technologies Corporation
 Next Generation Detector System
 EXCEPTION DETAIL
 ABBREVIATED

```

=====
Train#: 19           Axles: 272           Speed           MP/KP: 1234.5
Date: 02/11/21      Cars: 67             Min: 6          Track: North
Time: 05:08         Direction: South     Max: 30         Temperature: +24F
                    Shutters Open: 296   Avg: 18         Battery: 13.0v
                    Length: 6187        Exit: 10
=====
  
```

•
•
•

System Alarms

VERY Slow Train
 Integrity Failure
 Stuck Dragger During Train Passage

 Axle Alarm Summary

1 Dragging Equipment

 Diagnostic info

```

xdcrlUnexpectedRisingEdges: 0
xdcr2UnexpectedRisingEdges: 0
xdcrlUnexpectedFallingEdges: 0
xdcr2UnexpectedFallingEdges: 0
xdcrlSpikes: 0
xdcr2Spikes: 0
xdcrlNoiseCtr: 0
xdcrlNoiseCtr: 0
  
```

 Announcements made

```

" c s x detector milepost 1 2 3 4 point 5 north track "
" c s x detector milepost 1 2 3 4 point 5 north track you have a defect "
" c s x detector milepost 1 2 3 4 point 5 north track dragging equipment near axle
1 temperature 2 4 train too slow Integrity Failure "
" c s x detector milepost 1 2 3 4 point 5 north track dragging equipment near axle
1 temperature 2 4 train too slow Integrity Failure detector out "
  
```

 Rail

Car	Axle	East	West	ON	OFF	PW1	PW2	Alarms
1	1	0	0	44	0	18	18	Dragging Equipment
	2	0	3	44	100	18	17	
	3	29	24	44	101	18	18	
	4	27	25	44	684	18	17	
	5	17	29	44	100	16	16	
	6	26	27	44	101	16	16	
Carside Ave: East				18	West	20	Carside Alarms: East 113 West 116	
2	7	1	0	44	257	17	16	
	8	2	0	44	101	18	17	
	9	0	0	44	101	18	18	
	10	0	0	44	686	15	14	
	11	1	0	44	102	17	17	
	12	1	0	44	101	17	16	
Carside Ave: East				1	West	0	Carside Alarms: East 91 West 90	

To produce the abbreviated Exception Detail report:

- 1 Using the serial interface, display the Main Menu.

Section 4.0 - Serial Interface tells how to display the Main Menu. The Main Menu looks like this.

```
SmartSCAN NG2
02/16/2021 11:27:49 EST
Main Menu - Comm
-----
[A] - Train Summary
[B] - Train Detail
[C] - Exception Summary
[D] - Exception Detail
[E] - System Status Report
[F] - Last Train
      .
      .
      .
```

- 2 Select **Exception Detail**.

This prompt appears.

```
Enter Train Number:
```

- 3 Type the train number.

If you typed a three-digit invalid train number, the Main Menu reappears. If you typed a three-digit valid train number, the prompt below appears.

- 4 If you typed one or two digits, press **[Enter]**.

If you typed a three-digit invalid train number, the Main Menu reappears. If you typed a three-digit valid train number, this prompt appears.

```
Abbreviated? (y/n)
```

- 5 To produce the abbreviated Exception Detail report, type **Y**

If you typed an invalid train number, the Main Menu reappears. If the typed train number is valid, a report for that train is produced. The last line of the report reads: "END OF REPORT - Press any key..."

- 6 To exit the serial interface and return the SmartScanNG² system to normal operation, type **X**.

6.7 Last Train Report

The Last Train report is identical to the Train Detail report except for this report, you don't specify a train. A report on the most current train is produced.

To produce a Last Train report:

- 1 Using the serial interface, display the Main Menu.

Section 4.0 - Serial Interface tells how to display the Main Menu. The Main Menu looks like this.

```
      .
      .
      .
[D] - Exception Detail
[E] - System Status Report
[F] - Last Train
[G] - Train DSRs
[H] - AEI Diagnostic
      .
      .
      .
```

- 2 Select Last Train to produce the report.

This prompt appears.

```
Abbreviated? (y/n)
```

- 3 To produce the abbreviated Last Train report, type **Y**. To produce an extended Last Train report, type **N**.
- 4 To exit the serial interface and return the SmartScanNG² system to normal operation, type **X**.

6.8 System Status Report

The System Status report contains the system's current setup configuration. Once a SmartScanNG² system is set up properly, print this report. Then, keep it in the wayside enclosure for future reference. Should you ever need to set up the system again, you'll have most of the information you'll need on this report.

Below is a sample of the top half of a System Status report. The contents of your report will be different.

```

=====
                          Southern Technologies Corporation
                          Next Generation Detector System
                          SYSTEM STATUS REPORT
=====
                          Date:03/01/21   Time:11:09       Battery: 14.5v       Ambient Temp.: +58F
-----
SICM Board Rev..... 1.4           MP/KP..... 3131.5
Time Zone..... Eastern           Track..... North
Daylight Savings Time..... Disabled   Track Dir..... N/S
AC Power..... On                 Velocity..... COM3
Multitech..... Disabled

Software Version
-----
ARR_01-01 2020-02-10

Speech Version
-----
ARR Speech Ryan 1.0

Alarm Settings
-----
Absolute..... 180           Differential..... 130
Hot Wheel..... 650         Cold Rails..... 1
Cold Rail Temp..... 10     Cold Res Counter..... 3
Differential Enabled..... No

Alarm Settings (Advanced)
-----
Carside Slope..... 1.60     Carside Minimum..... 90
Res Test: Minimum Rail Avg..... 25   Res Test: Minimum Wheel Avg..... 28
Bearing DSR Capture Temp..... 72     Wheel DSR Capture Temp..... 361
Max Alarms..... 8

Equipment Settings
-----
Dragger..... Yes           Hot Wheel..... No
Hot Bearing..... Yes       High Load..... No
Wide Load..... No         AEI..... No
Presence Hardware..... Yes   Advance Transducers..... No
AC Power Off Monitor..... Yes

Equipment Settings (Advanced)
-----
Carside Slope..... Yes     Winter Cycle..... Disabled
Gate Distance..... 24.0 in  Dragger Debounce Time..... 10 ms
Pre Train Dragger Dist..... 200 ft  Pre Train High/Wide Dist..... 0 ft
Presence Timeout Period..... 10 sec  System Voltage..... 12 V
Resistor Test..... Enabled       Clearance Mode..... Multiplexed
Clearance Type..... Light Beam    Transducer Gain..... Normal
Transducer Type..... Magnetic
.
.
.

```

Below is a sample of the bottom half of a System Status report. The contents of your report will be different. The version information in the sample below is for illustrative purposes only. It doesn't represent any real release of the firmware.

```

      .
      .
      .
Message Settings
-----
Arrival Message..... No      Customer Name..... Yes
Axles..... Yes             Speed..... No
Temperature..... Yes       Slow..... Yes
Power Off..... Yes        Repeat No Defects..... Yes
Length..... No            Cars Count..... No
Lft/Rt Alarm Ref..... No   Car ID With Alarm..... No

Message Settings (Advanced)
-----
Announce Hot Wheels..... Yes   Announce High/Wide..... Yes
Request EOT Timer..... 10 min  Rebroad DTMF Code.....
Num EOT Repeats..... 0        EOT Repeat Delay..... 10 sec

Network Settings
-----
Use Static Address..... No     Static IP..... 192.168.1.151
Static Mask..... 255.255.255.0  Default Gateway..... 192.168.1.1
DNS Server..... 192.168.1.1    TELNET Port..... 23
FTP Port..... 21              HTTP Port..... 80
HTTPS Port..... 8080          Use Wifi..... No
Wifi Inactivity Timeout..... 10 min

Sunshots
-----
Sunshot Override..... No      Scanner Orientation..... 0
Latitude..... 35.0456         Longitude..... -85.3097

Port Settings
-----
COM1..... Baud 19200 NA/NA     COM2..... Baud 19200 NA/NA
COM3..... Baud 19200 NA/NA     COM4..... Baud 19200 NA/NA
COM5..... Baud 19200 NA/NA     COM6..... Baud 19200 NA/NA
RS485..... Baud 9600 NA/NA     Page Lines..... 30

AEI Settings
-----
Tag Reader Type..... None     ID Separation..... 2
Consecutive Reads..... 2      RF Frequency (MHz)..... 915.000
RF Attenuation (dB)..... 0     Multi-Track Tag Filter..... Disabled

Scanner Calibration Date / Digital Potentiometer Settings
-----
Rail 1 Type III..... 02/20/2021 12:27 /100  Rail 2 Type III..... 02/20/2021 19:45 /100
Wheel 1 Type III..... 02/20/2021 12:00 /100  Wheel 2 Type III..... 02/20/2021 12:00 /100

Resistor Baseline
-----
Rail 1 Type III..... Valid     Rail 2 Type III..... Valid

```

The table below lists the fields on the System Status report and the contents of each field.

Heading	Contents of Field
Date	The date at the time this report was generated. Date is in mm/dd/yy format. Section 4.0 - Serial Interface tells how to change this value using the Date and Time submenu of the Setup Menu.
Time	The time at the time this report was generated. Time is in 24-hour hh:mm format, where 8 a.m. is 08:00, noon is 12:00, 8 p.m. is 20:00, and midnight is 00:00. Section 4.0 - Serial Interface tells how to change this value using the Date and Time submenu of the Setup Menu.
Battery	The system battery voltage at the time this report was generated.
Ambient Temp	The ambient temperature at the time this report was generated. Temperature is in degrees Fahrenheit.
Time Zone	The time zone that is currently defined in the system setup. Valid values are Eastern, Central, Mountain, and Pacific. Section 4.0 - Serial Interface tells how to change this value using the Date and Time submenu.
Daylight Savings Time	Whether daylight-saving time is to be observed or not. If disabled, all times throughout the year are in standard time. If enabled, all times between the second Sunday in March and the first Sunday in November are in daylight-saving time. All other times are in standard time. Section 4.0 - Serial Interface tells how to change this value using the Date and Time submenu of the Setup Menu.
MP/KP	The five-digit milepost/kilometer post of the site. Section 4.0 - Serial Interface tells how to change this value using the MP/KP submenu.
Track Dir	The track direction of the site. Valid values are N/S (for north/south) and E/W (for east/west). Section 4.0 - Serial Interface tells how to change this value using the Track Number submenu of the Setup Menu.
Track	The track designator of the site. For single-track sites, the value is Single. For double-track sites, valid values are North, South, East, West, Main 1, Main 2, Main 3, and Middle. Section 4.0 - Serial Interface tells how to change this value using the Track Number submenu of the Setup Menu.
Alarm Settings	The alarm parameters and limits as they are currently defined in the system setup. Section 4.0 - Serial Interface tells how to change these parameters and limits using the Alarm Settings menu of the Setup Menu.
Equipment	Equipment configuration as currently defined in the system setup. Section 4.0 - Serial Interface tells how to change this configuration using the Equipment Settings menu of the Setup Menu.
Messages	Message configuration as currently defined in the system setup. Section 4.0 - Serial Interface tells how to change this configuration using the Messages menu of the Setup Menu.
Scanner Calibration Date	Date and time each scanner was last calibrated. The autocalibration function maintains these fields.

Heading	Contents of Field
Port Settings	Communications port parameter settings as currently defined in system setup. These parameters reflect the baud rate and parity settings for each communications port. Section 4.0 - Serial Interface tells how to change these parameter settings using the Setup Menu.
AEI Reader Parameters	<p>This heading appears when the AEI subsystem is enabled using the AEI option on the Equipment Settings menu.</p> <p>Below are the AEI Reader Parameters currently defined in the system setup. These values were in place at the time this report was run.</p> <p>ID Separation specifies the number of intervening tags that must be read and reported before a given tag is reported again. Valid values are 1, 2, 3, and 4. The default is 2.</p> <p>Consecutive Reads specifies the number of times that a tag must be read before it is considered a valid (reportable) tag. Valid values are 1, 2, 3, and 4. The default is 2.</p> <p>Decode as ASCII Tags specifies whether the tag data is to be interpreted as ASCII characters or in the encoded format.</p> <p>Section 4.0 - Serial Interface tells how to set these values using the AEI Reader Parameters menu of the Setup Menu.</p>
Firmware Versions	The version numbers of the firmware and their release dates, which are in mm/dd/yy format. This firmware resides on the processor modules.
COP Resets	Number of COP resets occurring since the last time the counters were cleared. The top value is for processor-A (aka Analyzer Processor). The bottom value is for processor-B (aka Communications Processor). Section 4.0 - Serial Interface tells how to clear the counters using the System Functions menu.
Resistor Data	See the explanation below.

For the resistor integrity test that is performed after train passage, there are two methods used to calculate the expected resistor temperature. The baseline resistor integrity test method requires the prerequisite of valid resistor baseline data to be stored in nonvolatile memory. Until the system acquires this data, it applies the interim resistor integrity test method to each train. The resistor data used in the baseline resistor integrity test method appears at the bottom of the System Status report, as shown below.

Resistor Data																						
VOLTS	AMB	DATE	TIME	STATUS	30	40	50	60	70	80	90	100	110	120	130							
140	160	180	200	220	240	260	280	300	320	340	360	380	400	420	440	460	480					
RAIL 1 (TypeII)																						
13.2	043	02/02/21	15:57	VALID	56,	71,	82,	91,	100,	105,	111,	116,	118,	122,	124							
					127,	130,	134,	136,	137,	140,	141,	142,	144,	145,	147,	148,	149,	150,	151,	152,	154,	154
RAIL 2 (TypeII)																						
13.2	043	02/02/21	15:57	VALID	58,	71,	81,	89,	96,	101,	105,	109,	110,	112,	115							
					117,	118,	122,	123,	125,	125,	128,	129,	130,	131,	132,	134,	134,	135,	137,	137,	138,	138

Included in the data above is a resistor heat profile of each scanner resistor, which covers a period of 30 to 480 seconds in 10 and 20-second intervals. The differences in resistor heat between the two scanners are due to the cable lengths used in this example. A 65-foot (19.8-meter) cable for the rail1 bearing scanner and a 100-foot (30.5-meter) cable for the rail2 bearing scanner. Additional items in the data are the battery voltage measured with the shutters open, the date and time of the data acquisition, and the status of the heat profile data.

In this example, the status of both sets of resistor data is **VALID**. Meaning they are being used in the baseline integrity test for each train. There are two other possibilities for status, pending and invalid. If the word **PENDING** appears in the status column, the system is waiting for the resistors to cool before acquiring resistor data or for the battery to charge to 12.5 volts. **INVALID** indicates that the system has tried twice and could not acquire valid resistor data. In either case, the system applies the interim integrity test to passing trains, which doesn't require resistor baseline data.

The system acquires the resistor data 20 minutes after the user calibrates the scanners with the autocalibration function. The resistor data acquisition runs unattended. Twenty minutes is the cooling period required to allow the resistors to return to ambient temperature after autocalibration. If a train should interrupt the cooling period, the resistor data acquisition runs 20 minutes after the shutters close following the passage of the train.

During the resistor-cooling period, the system announces through the speaker the following. These announcements aren't broadcast over the radio.

- A beep sounds once per minute until two minutes before the resistor test.
- At two minutes until the test, "Scanner resistor test beginning in 2 minutes" is voiced.
- At one minute until the test, "Scanner resistor test beginning in 1 minute" is voiced.

After the resistor cooling period:

- As the test begins, "Testing" is voiced. During this time, the word PENDING appears in the status column of the Resistor Data section.
- If the test was successful, "System working" is voiced. The word VALID appears in the status column of the Resistor Data section, signifying that the baseline test applies to each passing train.
- If the test wasn't successful, "Scanner resistor test beginning in two-zero minutes" is voiced, meaning that the system will try once more after 20 minutes to acquire an accurate resistor heat profile. During this time, the word PENDING appears in the status column of the Resistor Data section. If the test fails a second time, the word INVALID appears in the same column. The system applies the interim integrity test to each passing train while either PENDING or INVALID appears.

To produce a System Status report:

- 1 Using the serial interface, display the Main Menu.

Section 4.0 - Serial Interface tells how to display the Main Menu. The Main Menu looks like this.

```
SmartSCAN NG2
02/11/2021 11:06:13 EST
Main Menu - Comm
-----
[A] - Train Summary
[B] - Train Detail
[C] - Exception Summary
[D] - Exception Detail
[E] - System Status Report
[F] - Last Train
      :
      :
```

- 2 Select **System Status**.
- 3 After producing the report, you are returned to the Main Menu.
At this time, you can produce another report by selecting the appropriate option.
- 4 When done, close the LOG file.
- 5 To exit the serial interface and return the SmartScanNG² system to normal operation, type **X**

6.9 AEI Diagnostic Detail Report

The AEI Diagnostic Detail report provides detailed information on a single train. It contains information that can be useful in troubleshooting AEI related problems. When choosing this report, you'll be prompted for a train number. When prompted, type a train number from the Train Summary report. The train number appears under the column titled "Train#" in the detail section of that report.

The AEI subsystem is enabled/disabled using the AEI option on the Equipment Settings menu. If the AEI option is disabled during train passage, no AEI information is recorded.

Below is a sample of part of an AEI Diagnostic Detail report when both the AEI option and the Hotwheel option on the Equipment Settings menu were enabled at the time the report was requested. The Carside Slope option on the Equipment Settings menu was disabled. Also, both the AEI and Hotwheel options were enabled while the specified train was passing the site. The contents of your report will be different. The version information in the sample below is for illustrative purposes only. It doesn't represent any real release of the firmware.

Like the Train Detail report, the AEI Diagnostic Detail report is divided into three sections. The header section contains general information about the site (like the MP/KP) and some detail information about the specific train (like the train's exit speed) that passed the site. The detail section contains more detailed information (like the car number) about the specific train. In between these two sections is the system-events section, which contains all System Alarms and Exception Alarms associated with the train.

Southern Technologies Corporation
Next Generation Detector System
AEI Diagnostic

```

=====
Train#: 246                      Speed: 30MPH                      MP/KP: 1234.5
  Date: 01/05/21                 Axles: 148                      Track: North
  Time: 06:08                    Direction: North                 Temperature: +25F
Length: 2357                     Shutters Open: 71                Battery: 13.1v
=====

```

```

=====
                        Resistor
Rail  Max  Avg  Read  Req  CF  Txdr Counts  Alarm      Limit  Carside Parm
-----
East  33   20   172  121B 0   TO1    148  Absolute  200  Slope:  1.60
West  29   13   179  143B 0   TO2    148  Differential 130  Minimum: 300
Resistor Test Mode:              Disabled  Hot Wheel    652
High/Wide Alarm Direction:       BOTH     Cold Rail Temp 10
=====

```

```

=====
                        Resistor
Wheel Max  Avg  Read  Req  CF
-----
East  28   2   26   0B  0
West  23   1   32   0B  0
=====

```

AEI System Data

Tags Read Tags Stored: 74

Antenna 0: 37
Antenna 1: 37

Software Version Package: ARR_01-01 2020-02-10

System Alarms

None

```

-----
TMSTMP  Axle Truck  On  Off  PW1 PW2
00000 CarStart=1, Axles=4, Trucks=2, Tags=1, Speed=23, Len=59
00026   1   1   58   0  19  19
00285   2   1   59  203  12  10

00945   *AR  6113 side=L trk=2 len=59 axls=4 51|5|0|2 hs0= 0 hs1=13 flags=181
01030   3   2   58  685  20  20
01294   4   2   58  205  15  14
01535 CarEnd=  1

01536 CarStart=2, Axles=4, Trucks=2, Tags=2, Speed=23, Len=59
01776   5   3   58  423  23  22
01974   *AR  2792 side=L trk=3 len=59 axls=4 51|5|0|2 hs0=19 hs1=12 flags=51
02040   6   3   58  205  20  19

02715   AR  2792 side=R trk=4 len=59 axls=4 51|5|0|2 hs0=19 hs1=12 flags=A2
02778   7   4   58  679  24  23
03043   8   4   58  206  23  22
03220 CarEnd=  2

03221 CarStart=3, Axles=4, Trucks=2, Tags=2, Speed=23, Len=63
03396   9   5   58  293  20  20
03550   *DAKX252215 side=R trk=5 len=58 axls=4 51|19|0|4 hs0=23 hs1=20 flags=51
03567  10   5   58  113  22  21

```

.
.
.

The table below lists the fields from the header section and the contents of each field.

Heading	Contents of Field
Train#	The number that identifies the train in the Trains directory.
Date	The date the train arrived at the site. Date is in mm/dd/yy format. Section 4.0 - Serial Interface tells how to change this value using the Date and Time submenu of the Setup Menu.
Time	The time the train arrived at the site. Time is in 24-hour hh:mm format, where 8 a.m. is 08:00, noon is 12:00, 8 p.m. is 20:00, and midnight is 00:00. Section 4.0 - Serial Interface tells how to change this value using the Date and Time submenu of the Setup Menu.
Length	The length of the train in feet.
Speed	The train's exit speed in miles per hour.
Axles	The total number of axles counted by the SmartScanNG ² system.
Direction	The direction the train was traveling. Valid values are North, South, East, and West.
Shutters Open	The number of seconds it took the train to pass over the site.
MP/KP	The five-digit milepost/kilometer post of the site. Section 4.0 - Serial Interface tells how to change this value using the MP/KP submenu.
Track	The track designator of the site. For single-track sites, the value is Single. For double-track sites, valid values are North, South, East, West, Main 1, Main 2, Main 3, and Middle. Section 4.0 - Serial Interface tells how to set this value using the Track Number submenu of the Setup Menu.
Temperature	The ambient temperature at the time the train arrived at the site. Temperature is in degrees Fahrenheit.
Battery	The system battery voltage at the time the train passed the site.
Rail	Location of the bearing scanners. If the track orientation is east and west, the bearing scanners are labeled north and south. If the track orientation is north and south, they are labeled east and west
Max	The maximum temperature, above the ambient temperature in degrees Fahrenheit, recorded by the bearing scanner on a given railside. For example, if the ambient temperature (at the time the train arrived at the site) is 77°F (25°C) and the value in this field is 112, the maximum temperature would be 189°F (87.2°C).
Avg	The average temperature, above the ambient temperature in degrees Fahrenheit, calculated from all recorded temperatures from the bearing scanner on a given railside. For example, if the ambient temperature (at the time the train arrived at the site) is 86°F (30°C) and the value in this field is 55, the average temperature would be 141°F (60.6°C).

Heading	Contents of Field
Resistor Read	The scanner resistor temperature (read after train passage), in degrees Fahrenheit, recorded by the bearing scanner on a given raiiside.
Resistor Req	The resistor temperature, in degrees Fahrenheit, required by the bearing scanner on a given raiiside to avoid a Cold Resistor alarm. This value was calculated using the amount of time the shutters were open and the Resistor Test Mode option in effect at the time the train exits the site. If the Resistor Test Mode option is <u>disabled</u> , a zero appears in this field.
	<p>One of five uppercase letters follows the Resistor Req temperature.</p> <ul style="list-style-type: none"> B The baseline resistor integrity test method was used for this train. D The resistor integrity test (that is, the Resistor Test Mode option) was disabled by the user. I The interim resistor integrity test method was used for this train. T For this train, the shutters were open for less than 30 seconds. V For this train, the battery voltage (measured with the shutters open) was less than 12.5 volts. <p>For D, T, and V, the required resistor heat is set to zero (that is, a zero appears in the Resistor Read field). A T or V indicates that the integrity test was not performed due to low voltage or insufficient shutter open time, which could result in an invalid resistor integrity test if it was performed.</p>
CF	The percentage difference between the required resistor value and the value that was actually read. For example, if the required resistor temperature is 180 and the actual resistor temperature is 135 the correction factor would be 25% ($1 - (135 / 180) = .25$), and 25 would appear in this field.
Txdr Counts	The gating transducer designator (either TO1 or TO2) followed by the total number of hits on that transducer.
Alarm Limit	<p>The Hotwheel alarm level; the Hotbox alarm levels for Absolute and Differential; and the Cold Rail Temperature offset. These values were in place at the time the train arrived at the site.</p> <ul style="list-style-type: none"> • The value after Absolute is set by the Absolute option on the Alarm Settings menu. • The value after Differential is set by the Differential option on the Alarm Settings menu. • The value after Hot Wheel is set by the Hotwheel option on the Alarm Settings menu. • The value after Cold Rail Temp is set by the Cold Rail Temperature option on the Alarm Settings menu. <p>Section 4.0 - Serial Interface tells how to set these values.</p>

Heading	Contents of Field
Carside Params	<p>The Carside Slope alarm parameter values that were in place at the time the train arrived at the site.</p> <ul style="list-style-type: none"> • The value after Carside Slope is set by the Carside Slope option on the Alarm Settings menu. • The value after Minimum is set by the Carside Minimum option on the Alarm Settings menu. <p>Section 4.0 - Serial Interface tells how to set these values.</p>
Resistor Test Mode	<p>The status of the post-train resistor integrity test at the time the train arrived at the site. Valid values (aka modes) are Enabled, Reduced, and Disabled. Section 4.0 - Serial Interface tells how to set this value using the Resistor Test Mode option on the Equipment Settings menu.</p>
Wheel	<p>The location of the wheel scanners. If the track orientation is east and west, the wheel scanners are labeled north and south. If the track orientation is north and south, they are labeled east and west. This field only appears when Hotwheel alarm reporting is <u>enabled</u> using the Hotwheel option on the Equipment Settings menu.</p>
Max	<p>The maximum temperature, above the ambient temperature in degrees Fahrenheit, recorded by the wheel scanner on a given railside. This field only appears when Hotwheel alarm reporting is <u>enabled</u> using the Hotwheel option on the Equipment Settings menu.</p>
Avg	<p>The average temperature, above the ambient temperature in degrees Fahrenheit, calculated from all recorded temperatures from the wheel scanner on a given railside. This field only appears when Hotwheel alarm reporting is <u>enabled</u> using the Hotwheel option on the Equipment Settings menu.</p>
Resistor Read	<p>The scanner resistor temperature (read after train passage), in degrees Fahrenheit, recorded by the wheel scanner on a given railside. This field only appears when Hotwheel alarm reporting is <u>enabled</u> using the Hotwheel option on the Equipment Settings menu.</p>
Resistor Req	<p>The resistor temperature, in degrees Fahrenheit, required by the wheel scanner on a given railside to avoid a Cold Wheel Scanner Resistor alarm. This value was calculated using the amount of time the shutters were open and the Resistor Test Mode option in effect at the time the train exits the site. If the Resistor Test Mode option is <u>disabled</u>, a zero appears in this field. This field only appears when Hotwheel alarm reporting is <u>enabled</u> using the Hotwheel option on the Equipment Settings menu.</p>

Heading	Contents of Field
	<p>One of five uppercase letters follows the Resistor Req temperature.</p> <ul style="list-style-type: none"> B The baseline resistor integrity test method was used for this train. D The resistor integrity test (that is, the Resistor Test Mode option) was disabled by the user. I The interim resistor integrity test method was used for this train. T For this train, the shutters were open for less than 30 seconds. V For this train, the battery voltage (measured with the shutters open) was less than 12.5 volts. <p>For D, T, and V, the required resistor heat is set to zero (that is, a zero appears in the Resistor Read field). A T or V indicates that the integrity test was not performed due to low voltage or insufficient shutter open time, which could result in an invalid resistor integrity test if it was performed.</p>
CF	The percentage difference between the required resistor value and the value that was actually read. For example, if the required resistor temperature is 180 and the actual resistor temperature is 135 the correction factor would be 25% ($1 - (135 / 180) = .25$), and 25 would appear in this field.
AEI System Data	The number of AEI tags read (by antenna0 and antenna1) and the total number of tags stored for the train. Where both tags of a tag pair are operational, each antenna will read one tag of the pair. The total number of tags stored represents the number of tag pairs found plus those single tags that lack a match. This heading and the columns under it appear only when the AEI subsystem is <u>enabled</u> using the AEI option on the Equipment Settings menu.
Firmware Versions	The version numbers of the firmware and their release dates, which are in mm/dd/yy format. This firmware resides on the processor modules.

The table below lists the fields from the system-events section and the contents of each field.

Heading	Contents of Field
System Alarms	Lists any System Alarms and Integrity Failures detected at the time the train passed the site. If none were detected, this header is followed by the word "none." Appendix A - System Alarms describes the conditions and events that the system flags as System Alarms. Appendix B - Integrity Failures describes the conditions and events that the system flags as Integrity Failures.

The following excerpt is from the detail section of the AEI Diagnostic report

```

      •
      •
      •
TMSTMP Axle Truck On Off PW1 PW2
00000 CarStart=1, Axles=4, Trucks=2, Tags=1, Speed=23, Len=59
00026 1 1 58 0 19 19
00285 2 1 59 203 12 10

00945 AR 6113 side=L trk=2 len=59 axls=4 51|5|0|2 hs0= 0 hs1=13 flags=181
01030 3 2 58 685 20 20
01294 4 2 58 205 15 14
01535 CarEnd= 1
      •
      •
      •

```

The table below lists the fields from the detail section and the contents of each field.

Heading	Contents of Field
TMSTMP	The timestamp of a recorded event in milliseconds after train detection.
Car	The car number as determined by the firmware.
Axle	The axle number.
Trk	The truck number. Each railroad vehicle has two or more trucks (that is, wheel assemblies). The trucks are numbered, starting with 0, and increasing from the beginning of the train to the end. Each axle record is associated with one of these trucks. The axles are assigned the number of the truck with which they've been associated. These assigned truck numbers appear in this field. If the Hotwheel option on the Equipment Settings menu is <u>enabled</u> , this field doesn't appear.
ON	The number of milliseconds a bearing was scanned.
OFF	The number of milliseconds between axles (when no axle was between the gating transducers).
PW1	The recorded width of the pulse generated by gating transducer TO1. There is no fixed value for the pulse widths. Slower trains generate wider pulse widths (that is, they generate larger values) than faster moving trains.
PW2	The recorded width of the pulse generated by gating transducer TO2. There is no fixed value for the pulse widths. Slower trains generate wider pulse widths (that is, they generate larger values) than faster moving trains.

The AEI Diagnostic report has one line of data for every AEI tag associated with each car. See highlighted data line in the example below.

```

      •
      •
      •
TMSTMP Axle Truck On Off PW1 PW2
00000 CarStart=1, Axles=4, Trucks=2, Tags=1, Speed=23, Len=59
00026      1      1      58      0      19      19
00285      2      1      59      203      12      10

00945      AR      6113      side=L      trk=2      len=59      axls=4      51|5|0|2      hs0= 0      hs1=13      flags=181
01030      3      2      58      685      20      20
01294      4      2      58      205      15      14
01535 CarEnd= 1
      •
      •
      •

```

The table below defines the relevant fields in the AEI tag portion of car data.

Field Value	Field Definition
00945	Timestamp of tag read.
AR 6113	AEI vehicle identification
side=L	Left side of car
trk=2	Truck two of car.
len=59	Car length of 59 feet.
axls=4	Four axle car.
51 5 0 2	51 is the Data Format Code. 5 is the Equipment Group Code (5 = locomotive). 0 is the Platform Code. 2 is the Tag Type.
hs0= 0	Handshakes on antenna-0 equal zero.
hs1=13	Handshakes on antenna-1 equal thirteen.
flags=181	For diagnostic purposes.

To produce an AEI Diagnostic report:

- 1 Using the serial interface, display the Main Menu.

Section 4.0 - Serial Interface tells how to display the Main Menu. The Main Menu looks like this.

```
      .  
      .  
      .  
[G] - Train DSRs  
[H] - AEI Diagnostic  
[I] - Setup  
[J] - Event log  
      .  
      .  
      .
```

- 2 Select **AEI Diagnostic**.

This prompt appears.

```
Enter Train Number:
```

- 3 Type the train number.

If you typed a three-digit invalid train number, the Main Menu reappears. If you typed a three-digit valid train number, a report for that train is produced. The last line of the report reads: "END OF REPORT - Press any key..."

- 4 If you typed one or two digits, press **[Enter]**.

If you typed an invalid train number, pressing **[Enter]** causes the Main Menu to reappear. If the typed train number is valid, pressing **[Enter]** produces a report for it. The last line of the report reads: "END OF REPORT - Press any key..."

- 5 To exit the serial interface and return the SmartScanNG² system to normal operation, type **X**

6.10 Event Log Report

The Event Log report is used for diagnostics. As certain system events occur, entries are posted into the event log. Each time an entry is made into this log, it receives an event number, the date and time that the event was recorded, and an event description.

The entries are stored in a section of SRAM that can hold up to 300 separate entries. Each time an event is recorded which exceeds this maximum, the new one overwrites the oldest recorded event. The entries are saved during a power outage, but can be deleted with the Clear Event Log option on System Functions menu. Producing the report at this time produces a "No Events" message. If events have been recorded and not cleared, they're listed in chronological order, beginning with the most recently recorded event.

Below is a sample of part of an Event Log report. The contents of your report will be different. The date/time at the top of the report is the system date/time at the time the report was generated. Each line of text (that is, each event) contains these fields.

- The sequential number assigned to the event as it was generated
- The date at which the event was recorded (date is in dd/mm/yy format)
- The time at which the event was recorded (time is in 24-hour hh:mm:ss format, where 8 a.m. is 08:00:00, noon is 12:00:00, 8 p.m. is 20:00:00, and midnight is 00:00:00)
- The event description

```
Event Log
-----
[02/11/2021 10:26:51] (48) - Train Departure
[02/11/2021 10:24:20] (48) - Train Arrival
[02/11/2021 08:54:45] (48) - Stored exception train #1
[02/11/2021 08:54:39] (48) - Stored train #20
[02/11/2021 08:54:38] (48) - Train Departure
[02/11/2021 08:53:26] (48) - Train Arrival
[02/11/2021 05:13:30] (48) - Stored exception train #19
[02/11/2021 05:13:28] (48) - Stored train #19
[02/11/2021 05:13:26] (48) - Train Departure
[02/11/2021 05:08:22] (48) - Train Arrival
[02/11/2021 04:15:10] (48) - Stored exception train #18
[02/11/2021 04:15:08] (48) - Stored train #18
[02/11/2021 04:15:07] (48) - Train Departure
[02/11/2021 04:13:08] (48) - Train Arrival
[02/11/2021 03:55:30] (48) - Stored exception train #17
[02/11/2021 03:55:23] (48) - Stored train #17
[02/11/2021 03:55:13] (48) - Train Departure
[02/11/2021 03:51:41] (48) - Train Arrival
[02/11/2021 03:20:50] (48) - Stored exception train #16
[02/11/2021 03:20:48] (48) - Stored train #16
[02/11/2021 03:20:46] (48) - Train Departure
[02/11/2021 03:14:49] (48) - Train Arrival
      .
      .
      .
```


To produce an Event Log report:

- 1 Using the serial interface, display the Main Menu.

Section 4.0 - Serial Interface tells how to display the Main Menu. The Main Menu looks like this.

```
      .  
      .  
      .  
[G] - Train DSRs  
[H] - AEI Diagnostic  
[I] - Setup  
[J] - Event log  
      .  
      .  
      .
```

- 2 Select the **Event Log**.
- 3 To exit the serial interface and return the SmartScanNG² system to normal operation, type **X**

7.0 Radio Announcements

Currently, the two ways of reporting defects are:

- Announcements made via the road channel
- Reports, which may be printed to provide detailed defect information

This section describes radio announcements. The prior section describes reports.

Radio announcements consist of a set of predefined spoken messages with each message triggered by a particular event or set of events. The message formats and announcement criteria are covered below.

In the examples that follow, the message "Alaska Rail" is announced because it was enabled using the **Announce Customer Name option** on the Messages menu. **Section 4.0 - Serial Interface** tells how to enable and disable this message.

Each SmartScanNG² system has a priority level assigned to it, based on the setting of the Track Number submenu. Associated with these priorities are two timers, as shown below.

Track Designator	Priority	Holdoff
Single	1	30 sec
Main 1	1	30 sec
Main 2	2	30 sec
Main 3	3	30 sec
North	4	30 sec
East	4	30 sec
South	5	30 sec
West	5	30 sec
Middle	6	30 sec

Holdoff is the maximum amount of time a given SmartScanNG² system delays broadcasting a message while waiting for the holdoff input to clear. If this timeout period expires and the holdoff input remains active, the detector will broadcast its pending message anyway.

Anytime a message needs to be announced, the expanded holdoff logic kicks in, and the process is as follows:

- 1 Start the Broadcast Delay timer and wait until it expires.
The Holdoff line is enabled when the road channel is busy.
- 2 Check the Holdoff line.
- 3 If the Holdoff line is free, announce your messages and skip the remaining steps.
- 4 If the Holdoff line is currently in use, start the Holdoff timer and begin monitoring the Holdoff line.
- 5 If the Holdoff line becomes free (that is, if the Holdoff line frees up before the Holdoff timer expires), return to step 1.
- 6 If the Holdoff timer expires (that is, if the Holdoff timer expires without the Holdoff line ever becoming free), announce your messages.

7.1 Arrival Messages

The arrival message is used to announce train arrival at the site. This message is optional. It is enabled or disabled using the **Announce Train Arrival option** on the Messages menu. The format of this announcement is:

```
[Alaska Rail] Milepost (mile) [track indicator]
```

At a double-track site, "track indicator" represents the position in the message text that the track designator (such as "East Track") is inserted into the announcements. At a single-track site, no message text is inserted for track indicator.

For example, at a single-track site, the announcement is like this. In this example, milepost 359.4 was used.

```
Alaska Rail  
Milepost 3-5-9er Point 4
```

At a double-track site, the announcement is like this. In this example, milepost 297.1 was used.

```
Alaska Rail  
Milepost 2-9er-7 Point 1  
South Track
```

The arrival message is only announced once per train.

7.2 Real-Time Messages

Real-time messages consist of announcements that occur as the train is passing over the site. No matter what kind of defect was detected, there is only one format for this announcement, and it is:

```
[Alaska Rail] Milepost (mile) [track indicator] You Have a Defect
```

For example, at a single-track site, the announcement is like this. In this example, milepost 321.4 was used.

```
Alaska Rail  
Milepost 3-2-1 Point 4  
You Have a Defect
```

At a double-track site, the announcement is like this. In this example, milepost 5472.9 was used.

```
Alaska Rail  
Milepost 5-4-7-2 Point 9er  
South Track  
You Have a Defect
```

No matter how many defects are found, the real-time message is only announced once per train.

7.3 Post-Train Messages

Post-train (that is, end-of-train) announcements are given after the train has left the site and all the recorded train data has been processed by the SmartScanNG² system.

These messages consist of four distinct scenarios, each with its own spoken message. The scenarios are:

- Exception Alarms not detected and Integrity Failures not detected
- Exception Alarms not detected and Integrity Failures detected
- Exception Alarms detected and Integrity Failures not detected
- Exception Alarms detected and Integrity Failures detected

Exception Alarms are associated with axles. When the **Clearance Mode option** on the Messages menu is set to separate, there are eight Exception Alarms. They are the Absolute, Carside Slope, Differential, Dragging-Equipment, **High-Load**, Hotwheel, Pyrometer Saturation, and **Wide-Load** alarms. When the **Clearance Mode option** is set to multiplexed, there are seven Exception Alarms. They are the Absolute, Carside Slope, Differential, Dragging-Equipment, **High-Wide**, Hotwheel, and Pyrometer Saturation alarms.

The four types of Hotbox alarms are Absolute alarms, Differential alarms, Pyrometer Saturation alarms, and Carside Slope alarms. When one of these four alarms occurs, a Hotbox alarm is announced. The system only announces Dragging-Equipment, High-Load, High-Wide, Hotbox, Hotwheel, and Wide-Load.

Integrity Failures are the Dead Battery, Dead Resistor, Dead Wheel Scanner Resistor, Stuck Dragger During Train Passage, Stuck Dragger Pretrain, Stuck High-Load Detector Pretrain, Stuck Wide-Load Detector Pretrain, Successive Cold Rails Exceeded, Successive Cold Resistors Exceeded, Successive Cold Wheel Resistors Exceeded, Successive Cold Wheels Exceeded, Train Present on Restart, and sometimes Highrange Transducer Miscounts alarms.

Below is the Messages Settings menu. The options on this submenu affect the phrases broadcast to a passing train or are used to modify the parameters associated with the rebroadcast function.

Messages Settings	

[A] - Axles	YES
[B] - Speed	NO
[C] - Temperature	YES
[D] - Length	NO
[E] - Slow	YES
[F] - Power Off	YES
[G] - Repeat No Defects	YES
[H] - Cars Count	NO
[I] - Customer Name	YES
[J] - Arrival Message	YES
[K] - Lft/Rt Alarm Ref	YES
[L] - Car ID With Alarm	NO
[M] - Request EOT Timer	10
[N] - Rebroad DTMF Code	
[O] - Announce Cold Rail	YES
[P] - Num EOT Repeats	2
[Q] - EOT Repeat Delay	10
[X] - Exit	

Enabling one or more of these options generates the ancillary messages: A (axle count), B (train speed), C (site ambient temperature), D (train length), E (slow train), F (power off), and H (number of cars). The other options of the Messages menu aren't used to generate ancillary messages.

In the examples that follow, not all ancillary messages are shown. This is because only axle count and train speed were enabled. Site ambient temperature, train length, number of cars, power off, and slow train were disabled. **Section 4.0 - Serial Interface** tells how to enable and disable these messages using the Messages menu of the Setup Menu.

When the Highrange Transducer Miscounts alarm or Very Slow Train alarm occurs, the system won't announce axle count, train speed, train length, or number of cars (even if these messages are enabled).

7.3.1 Nothing Detected

When neither an Exception Alarm nor an Integrity Failure is detected, the no-defect message is announced. The format of this announcement is:

If the **Repeat No Defects option** on the Messages menu is disabled, the format of this announcement is:

```
[Alaska Rail] Milepost (mile) [track indicator] [speed indicator]
No Defects
[other ancillary messages] Detector Out
```

If the **Repeat No Defects option** is enabled, the format of this announcement is:

```
[Alaska Rail] Milepost (mile) [track indicator] [speed indicator]
No Defects
Repeat No Defects [other ancillary messages] Detector Out
```

For example, at a single-track site when the **Repeat No Defects option** is disabled, the announcement is like this.

```
Alaska Rail
Milepost 3-2-1 Point 4
Speed 4-5
No Defects
Total Axles 9er-8
Detector Out
```

At a double-track site when the **Repeat No Defects option** is enabled, the announcement is like this.

```
Alaska Rail
Milepost 3-9er-9er Point 1
South Track
Speed 5-3
No Defects
Repeat No Defects
Total Axles 1-4-2
Detector Out
```

7.3.2 Only an Integrity Failure Detected

Integrity failures are caused when the system determines that a condition exists that could prevent proper scanning of a train. They indicate an unusual operating condition that may require maintenance. Integrity failures appear in the header of Train Detail reports and Exception Detail reports. **Appendix B - Integrity Failures** describes the conditions and events that the SmartScanNG² system flags as Integrity Failures.

When no Exception Alarms are detected, but an Integrity Failure is detected, only Integrity Failure is announced. When no pretrain auxiliary alarm is detected, the format of this announcement is:

```
[Alaska Rail] Milepost (mile) [track indicator] [ancillary
messages] Integrity Failure Detector Out
```

For example, at a double-track site, the announcement is like this.

```
Alaska Rail
Milepost 2-4-6 Point 8
South Track
Speed 5-3
Total Axles 9er-2
Integrity Failure
Detector Out
```

When no Exception Alarms are detected, but an Integrity Failure is detected, only Integrity Failure is announced. When a pretrain auxiliary alarm is detected, the format of this announcement is:

```
[Alaska Rail] Milepost (mile) [track indicator] [ancillary
messages] Integrity Failure
(a pause)
[Alaska Rail] Milepost (mile) [track indicator] [ancillary
messages] Integrity Failure Detector Out
```

For example, at a double-track site, the announcement is like this.

```
Alaska Rail
Milepost 2-4-6 Point 8
South Track
Speed 5-3
Total Axles 9er-2
Integrity Failure
(a pause)
Alaska Rail
Milepost 2-4-6 Point 8
South Track
Speed 5-3
Total Axles 9er-2
Integrity Failure
Detector Out
```


7.3.3 Only Exception Alarms Detected

When one or more Exception Alarms are detected and an Integrity Failure isn't detected, the alarms are announced. The format of this announcement is:

```
[Alaska Rail] Milepost (mile) [track indicator] [speed indicator]
[alarm announcements] [other ancillary messages] [excessive-alarms
indicator]
  (a pause)
[Alaska Rail] Milepost (mile) [track indicator] [speed indicator]
[alarm announcements] [other ancillary messages] [excessive-alarms
indicator] Detector Out
```

Per train, only the first four Hotbox alarms and the first four Hotwheel alarms are ever announced. Per train, only the first eight alarms are announced. When Excessive Alarms is announced, the train had more than four Hotbox alarms, more than four Hotwheel alarms, or more than eight Exception Alarms.

Hotwheel alarms use the same general format as Hotbox alarms. High-Load, High-Wide, and Wide-Load alarms use the same general format as Dragging-Equipment alarms.

The **Clearance Type option** on the Equipment Settings menu is either tripwire or light beam. This option is only used for high-load detectors and wide-load detectors. Both high-load detectors and wide-load detectors must be either trip-wire detectors or light-beam detectors.

When a wide-load detector is configured for tripwire operation, the system only records one Wide-Load alarm, regardless of the wide-load signal status. This is because you can only break a wire once.

When it is configured for light-beam operation, the system records every Wide-Load alarm that occurs. However, the system won't flag Wide-Load alarms on consecutive axles. At least one unalarmed axle must separate the alarmed axles. Regardless of the number of detected Wide-Load alarms, the system only announces a maximum of two.

When a high-load detector is configured for tripwire operation, the system only records one High-Load alarm, regardless of the high-load signal status. This is because you can only break a wire once.

When it is configured for light-beam operation, the system records every High-Load alarm that occurs. However, the system won't flag High-Load alarms on consecutive axles. At least one unalarmed axle must separate the alarmed axles. Regardless of the number of detected High-Load alarms, the system only announces a maximum of two.

The **Clearance Mode option** on the Equipment Settings menu is either separate or multiplexed. This option is only used for high-load detectors and wide-load detectors. When this option is set to separate, the alarms coming from the high-load detectors are announced as High-Load alarms, and the alarms coming from the wide-load detectors are announced as Wide-Load alarms. When this option is set to multiplexed, the alarms coming from the high-load detectors and wide-load detectors are announced as High-Wide alarms.

The **Announce Car Identification option** on the Messages menu shows whether car-identification information is to be announced (YES) or not announced (NO). When this option is set to YES and an Exception Alarm is found on a car, the car-identification information is announced right after the Exception Alarm is announced. This, of course, will only happen if the **AEI option** on the Equipment Settings menu is enabled (YES) and the AEI subsystem is functioning properly during train passage. In the examples that follow, the Announce Car Identification option was set to NO.

The **Announce Left-Right Alarm Reference option** on the Messages menu shows whether the alarm reference is announced as left or right (YES) or north, south, east, or west (NO). In the examples that follow, this option was set to NO.

For example, at a single-track site having one Hotbox alarm and no Integrity Failure, the announcement is like this.

```
Alaska Rail
Milepost 3-2-1 Point 4
Speed 4-5
Hotbox North-Rail Axle-7-5
Total Axles 9er-8
  (a pause)
Alaska Rail
Milepost 3-2-1 Point 4
Speed 4-5
Hotbox North-Rail Axle-7-5
Total Axles 9er-8
Detector Out
```

At a double-track site having one Dragging-Equipment alarm and no Integrity Failure, the announcement is like this.

```
Alaska Rail
Milepost 3-9er-9er Point 1
South Track
Speed 4-5
Dragging-Equipment Near-Axle-8-4
Total Axles 8-8
  (a pause)
Alaska Rail
Milepost 3-9er-9er Point 1
South Track
Speed 4-5
Dragging-Equipment Near-Axle-8-4
Total Axles 8-8
Detector Out
```

At a single-track site having two Hotbox alarms and no Integrity Failure, the announcement is like this.

```
Alaska Rail
Milepost 3-2-1 Point 4
Speed 4-5
First-Hotbox North-Rail Axle-7-5
Second-Hotbox North-Rail Axle-8-0
Total Axles 9er-0
  (a pause)
Alaska Rail
Milepost 3-2-1 Point 4
Speed 4-5
First-Hotbox North-Rail Axle-7-5
Second-Hotbox North-Rail Axle-8-0
Total Axles 9er-0
Detector Out
```

The post-train announcement for a detected Hotwheel alarm uses the same general format: "First-Hotwheel North-Rail Axle-7-5."

At a single-track site having two Dragging-Equipment alarms and no Integrity Failure, the announcement is like this.

```
Alaska Rail
Milepost 3-2-1 Point 4
Speed 5-7
First-Dragging-Equipment Near-Axle-8-4
Second-Dragging-Equipment Near-Axle-8-8
Total Axles 9er-8
  (a pause)
Alaska Rail
Milepost 3-2-1 Point 4
Speed 5-7
First-Dragging-Equipment Near-Axle-8-4
Second-Dragging-Equipment Near-Axle-8-8
Total Axles 9er-8
Detector Out
```

At a single-track site having one Hotbox alarm, one Dragging-Equipment alarm, and no Integrity Failure, the announcement is like this.

```
Alaska Rail
Milepost 3-2-1 Point 4
Speed 4-5
Hotbox North-Rail Axle-7-5
Dragging-Equipment Near-Axle-8-4
Total Axles 9er-8
  (a pause)
Alaska Rail
Milepost 3-2-1 Point 4
Speed 4-5
Hotbox North-Rail Axle-7-5
Dragging-Equipment Near-Axle-8-4
Total Axles 9er-8
Detector Out
```

At a single-track site having three or more Dragging-Equipment alarms and no Integrity Failure, the announcement is like this.

```
Alaska Rail
Milepost 3-2-1 Point 4
Speed 4-5
First-Dragging-Equipment Near-Axle-1-2
Second-Dragging-Equipment Near-Axle-1-4
Total Axles 9er-8
Excessive Alarms
  (a pause)
Alaska Rail
Milepost 3-2-1 Point 4
Speed 4-5
First-Dragging-Equipment Near-Axle-1-2
Second-Dragging-Equipment Near-Axle-1-4
Total Axles 9er-8
Excessive Alarms
Detector Out
```

Per train, only the first two Dragging-Equipment alarms are ever announced. Per train, only the first four Hotbox alarms or Hotwheel alarms are ever announced.

7.3.4 Both Exception Alarms and an Integrity Failure Detected

When one or more alarm conditions and an Integrity Failure are detected, both are announced. The format of this announcement is:

```
[Alaska Rail] Milepost (mile) [track indicator] [speed indicator]
[alarm announcements] [ancillary messages] Integrity Failure
[excessive-alarms indicator]
  (a pause)
[Alaska Rail] Milepost (mile) [track indicator] [speed indicator]
[alarm announcements] [ancillary messages] Integrity Failure
[excessive-alarms indicator] Detector Out
```

In the examples that follow, the **Announce Car Identification option** and the **Announce Left-Right Alarm Reference option** were set to NO.

For example, at a single-track site having one Hotbox alarm and an Integrity Failure, the announcement is like this.

```
Alaska Rail
Milepost 3-2-1 Point 4
Speed 6-0
Hotbox South-Rail Axle-7-5
Total Axles 9er-8
Integrity Failure
  (a pause)
Alaska Rail
Milepost 3-2-1 Point 4
Speed 6-0
Hotbox South-Rail Axle-7-5
Total Axles 9er-8
Integrity Failure
Detector Out
```

At a double-track site having one Dragging-Equipment alarm and an Integrity Failure, the announcement is like this.

```
Alaska Rail
Milepost 3-8-8 Point 1
North Track
Speed 5-7
Dragging-Equipment Near-Axle-2-4
Total Axles 8-6
Integrity Failure
  (a pause)
Alaska Rail
Milepost 3-8-8 Point 1
North Track
Speed 5-7
Dragging-Equipment Near-Axle-2-4
Total Axles 8-6
Integrity Failure
Detector Out
```

At a single-track site having three or more Dragging-Equipment alarms and an Integrity Failure, the announcement is like this.

Alaska Rail
Milepost 3-2-1 Point 4
Speed 4-5
First-Dragging-Equipment Near-Axle-1-2
Second-Dragging-Equipment Near-Axle-1-4
Total Axles 9er-8
Integrity Failure
Excessive Alarms
(a pause)
Alaska Rail
Milepost 3-2-1 Point 4
Speed 4-5
First-Dragging-Equipment Near-Axle-1-2
Second-Dragging-Equipment Near-Axle-1-4
Total Axles 9er-8
Integrity Failure
Excessive Alarms
Detector Out

At a single-track site having one Hotbox alarm, six Dragging-Equipment alarms, and an Integrity Failure, the announcement is like this.

Alaska Rail
Milepost 3-2-1 Point 4
Speed 5-4
First-Dragging-Equipment Near-Axle-2-8
Second-Dragging-Equipment Near-Axle-2-9er
Hotbox North-Rail-7-5
Total Axles 1-0-8
Integrity Failure
Excessive Alarms
(a pause)
Alaska Rail
Milepost 3-2-1 Point 4
Speed 5-4
First-Dragging-Equipment Near-Axle-2-8
Second-Dragging-Equipment Near-Axle-2-9er
Hotbox North-Rail-7-5
Total Axles 1-0-8
Integrity Failure
Excessive Alarms
Detector Out

8.0 Scheduled Maintenance

This section lists the items that STC recommends be done during scheduled maintenance.

An up-and-running SmartScanNG² system needs to be visited from time to time to do scheduled maintenance. The frequency of these visits is up to the customer. STC recommends visits every 30 to 90 days. Maintenance requirements change with environmental conditions. For example, if the system is installed in a damp or dusty environment, it may be necessary to visit the location more frequently to clean the optics. The optical system is the item most likely to need periodic maintenance. If moisture or dust isn't a problem, you may not need to do scheduled maintenance more often than every 90 days.

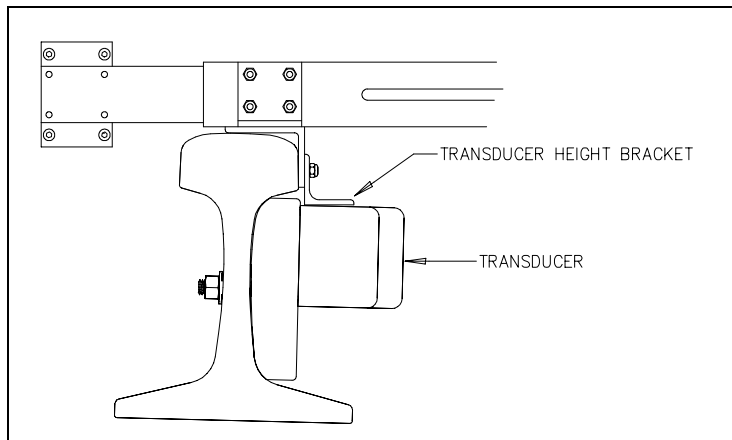
What is done during a maintenance visit is up to the customer. However, STC does have some recommendations. For normal scheduled maintenance, STC recommends these steps.

- 1 Be sure that you have on hand a 50-foot (15-meter) or longer tape measure, a #2 Phillips head screwdriver, a small slotted screwdriver, a 9/16-inch torque wrench, a laptop computer, a multimeter, and the alignment fixture.
- 2 At trackside, check track conditions on all tracks.
- 3 If any track is pumping (vertical displacement of the rails) or running (lateral displacement of the rails) more than 2 inches (5 centimeters), have it repaired before proceeding.
- 4 At trackside, check for damaged transducers, damaged transducer cables, and other damaged components.
- 5 If you find any damaged components, repair or replace them before proceeding.
STC transducers don't require a lot of care and attention. Once installed correctly, you don't need to remove them from the rail for cleaning or readjustment.
- 6 At trackside, check all transducer-mounting bolts on all tracks to make sure that all transducers are snug against the rail.

Four bolts are needed to hold the transducer in place. Two square-head bolts go through the mounting plate and transducer body. Two hex-head bolts go through the mounting plate and rail. If any of these bolts are sheared or missing, they must be replaced with the correct replacement bolt. Also, if any washers or nuts are missing, they must be replaced.

- 7 If all transducers aren't snug against the rail, fix this problem before proceeding.
Each installed transducer body should be 1-9/16 inches (3.97 centimeters) below the top of the rail and parallel to it. You can meet this requirement by using the transducer height bracket on the bottom of the alignment fixture.

- 8 Place the alignment fixture across both rails, centered over each transducer in turn.
- 9 Check if each transducer body just touches the bracket.



The fixture should be snug against the top and gauge of both rails. This may be impossible if the transducer body is less than 1-9/16 inches (3.97 centimeters) below the top of the rail or if the transducer body isn't parallel to the top of the rail.

- 10 If a transducer body doesn't just touch the bracket:
 - a Loosen the nuts holding the transducer body to its mounting plate.
 - b By sliding it up and down, adjust the transducer body to the proper height.
 - c Tighten each hex nut with a 9/16-inch torque wrench to a **torque of 12 to 15 foot-pounds (16.3 to 20.3 newton-meters)**.

Don't exceed a torque of 15 foot-pounds (20.3 newton-meters). Doing so can weaken or break a bolt, requiring the bolt to be replaced.

- 11 At the trackside, check all scanner-mounting bolts on all tracks.
- 12 If all scanner mounts aren't snug against the gauge side of the rail, fix this problem before proceeding.
- 13 From under all scanners, remove ballast that could damage the scanner during train passage.
- 14 Remove all obstructions to the scan path of each scanner.
- 15 If the wayside enclosure isn't attached to a properly installed outside grounding system, fix this problem before proceeding.
- 16 At all outlets inside the wayside enclosure, check if the AC power is stable and at least 110 volts at 20 amperes.
- 17 If the AC power isn't stable or if it isn't at least 110 volts at 20 amperes, fix this problem before proceeding.
- 18 If not all outlets inside the wayside enclosure are grounded properly, fix this problem before proceeding.

- 19 If the battery is dead, damaged, or emitting a strong sulfurous odor, replace it before proceeding.

WARNING

In operation, batteries generate and release flammable hydrogen gas, which, if ignited by a burning cigarette, naked flame, or spark, may cause battery explosion with a dispersion of casing fragments and corrosive liquid electrolyte. So, carefully follow the manufacturer's instructions for installation and service. Keep all sources of gas ignition away from the batteries and do not allow metallic articles to contact the negative and positive terminals of a battery at the same time.

WARNING

A damaged or aged battery, in combination with the connected battery charger, can pose a serious health threat. The battery can produce hydrogen sulfide gas, which is characterized by its unique "rotten egg" smell. So, when a strong sulfurous odor is detected, remove power to the battery charger and check the battery for excessive heating. Do not inhale the fumes.

- 20 If the battery charger hasn't been properly grounded, fix this problem before proceeding.
- 21 If the SmartScanNG² enclosure hasn't been properly grounded, fix this problem before proceeding.

There are vents on the top, bottom, and sides of the charger. Blocking any of these vents could result in damage to the charger or battery.

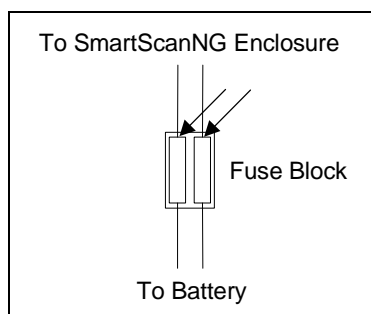
- 22 Remove anything that is blocking the vents on the battery charger.

One end of the battery temperature probe cable has a three-pin plug, which plugs into a receptacle on the front of the battery charger. The other end, which has a temperature sensor sealed in it, should be attached to the negative battery post. If the battery temperature probe is defective or not installed, the red defective LED is lit.

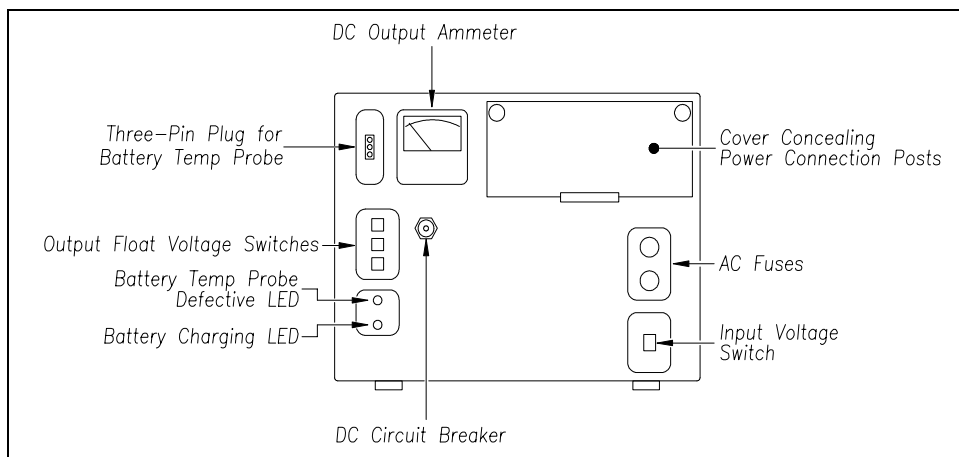
- 23 On the front of the battery charger, if the red defective-temperature-probe LED is lit, fix the underlying problem before proceeding.
- 24 Switch the multimeter to the DC volts scale.

The **equipment side** of the fuse block is directly wired to the SmartScanNG² enclosure. The **battery side** of the fuse block is wired to the battery via the distribution block.

- 25 Touch the leads from the multimeter to the terminals on the equipment side of the fuse block.



- 26** If the voltage (on the equipment side of the fuse block) is 12.3 through 14 VDC, go to step **30**.
- 27** If the voltage (on the equipment side of the fuse block) is 0 VDC:
- Touch the leads to the terminals on the battery side of the fuse block.
 - If the voltage (on the battery side of the fuse block) is greater than 0 VDC, replace each fuse in the fuse block with a BAF-25 (25-amp 250-volt) fast-acting fuse and return to step **25**.
 - If the voltage (on the battery side of the fuse block) is 0 VDC, fix any wiring problems between the fuse block, the distribution block, the battery, and the charger.
 - Return to step **25**.
- 28** If the voltage is less than 12.3 VDC:
- On the battery charger, check the input voltage switch for proper setting.



The input voltage switch can be set to 115 VAC or 230 VAC. Use 115 for input voltages between 108 and 128. Use 230 for input voltages between 216 and 256.

- On the battery charger, check the output float voltage switches.
- If the switches are set lower than 12.30 VDC, reset them to 14.00 VDC.

To reset the switches, use a small slotted screwdriver to turn each switch to the desired number. The ten's digit is always 1 and can't be changed. The top switch controls the unit's digit. The middle switch controls the tenth's digit. The bottom switch controls the hundredth's digit. The factory default is **14.00 VDC**, which is the **recommended setting**. To select 14.00 VDC, turn the top switch to 4, the middle switch to 0, and the bottom switch to 0.

- d Open the small door cover on the top-right corner of the front of the charger.

Do not touch the uninsulated parts of the wires or the charger's binding posts. Doing so could result in sparks, burns, or electric shock.

- e Check that all binding posts nuts are tight and that all wiring is correct.
- f On the battery charger, check the AC fuses to see if either is blown.
- g If blown, replace with 4-amp 250-volt fast-acting fuses.
- h On the battery charger, check the DC circuit breaker to see if it is open (tripped).
When closed, about 0.09 inch (0.23 centimeters) of the breaker's button is seen.
When open, the button is popped out, showing about 0.25 inch (0.64 centimeters).
- i If open (tripped), push the breaker's button in to reset the DC circuit breaker.
- j Check to see if the battery charger is plugged in.
- k If the battery charger isn't plugged in, plug it in.
- l Check the battery-charging LED.

If the battery is charging properly, the yellow battery-charging LED is lit solid. If one or more of the output float voltage switches are set between numbers, the yellow battery-charging LED flashes.

- m If the yellow battery-charging LED is not lit, call STC for help in fixing this problem.
- n If the yellow battery-charging LED is lit solid, monitor the voltage for ten minutes.
If the voltage is gradually increasing, the battery is probably charging. After the battery has charged for five hours, the battery voltage should be very near the float voltage setting. If the voltage isn't gradually increasing, the battery is probably not charging. This may indicate that the battery is defective and should be replaced.

29 If the voltage is greater than 14 VDC:

- a Check the output float voltage switches on the center-left edge of the battery charger.
- b Be sure that each switch is set on a number and not between numbers.
- c If the switches are set to 14.00 VDC or less, cut all power to the SmartScanNG² system and call STC for help in fixing this problem.
- d If the switches are set higher than 14.00 VDC, reset them to 14.00 VDC and return to step **25**.

To reset the switches, use a small slotted screwdriver to turn each switch to the desired number. The ten's digit is always 1 and can't be changed. The top switch controls the unit's digit. The middle switch controls the tenth's digit. The bottom switch controls the hundredth's digit. The factory default is **14.00 VDC**, which is the **recommended setting**. To select 14.00 VDC, turn the top switch to 4, the middle switch to 0, and the bottom switch to 0.

30 On the display panel, look at the COP-A and COP-B LEDs.



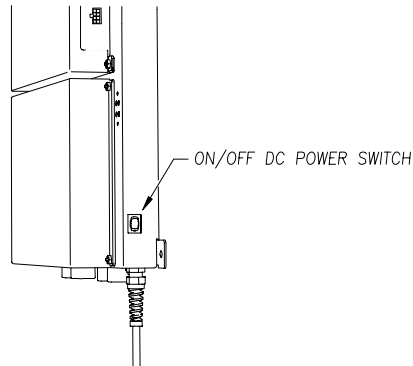
The COP LEDs indicate the condition of the CPUs. If both CPUs are running their programs correctly, their LEDs blink on and off. If a program isn't operating as expected, the LED for the affected CPU is lit solid or isn't lit at all.

- 31 If either or both of the **COP LEDs** is lit solid or isn't lit at all, call STC for help in fixing this problem.
- 32 On the display panel, look at the **SYS WARN** LED. If a system warning has been flagged, the SYS WARN LED will be lit, and the Check System Health message will be displayed on the bottom text line of the home screen. The Sys. Health Menu provides a status indicator for the various system health checks.
- 33 To see if the system is being activated by the gating transducers:
 - a Produce a Train Detail Report for the last train.
Section 6.0 - Producing Reports tells how to produce this report.
 - b On the Train Detail report, check under the System Alarms section of the report for the words "No Approach Track."

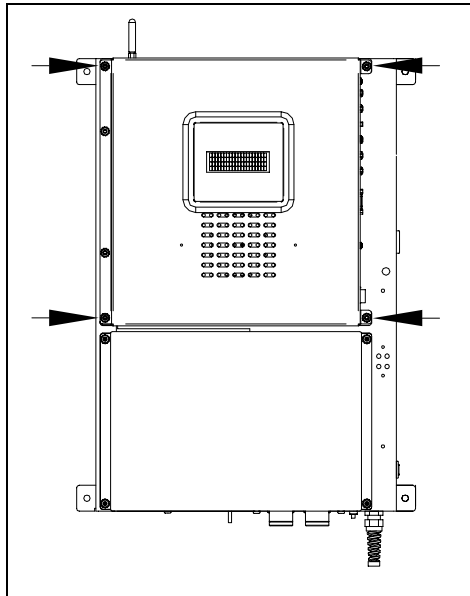
The No Approach Track alarm indicates that the track circuit (or the advance transducers) failed to signal the presence of a train and that the SmartScanNG² system started from the train passing over the gating transducers.
 - c If the words "No Approach Track" don't appear, go to step 37.
- 34 If your system uses advance transducers, go to step 36.

35 If your system uses a track circuit:

- a Toggle off the DC power switch on the right edge of the SmartScanNG² enclosure.

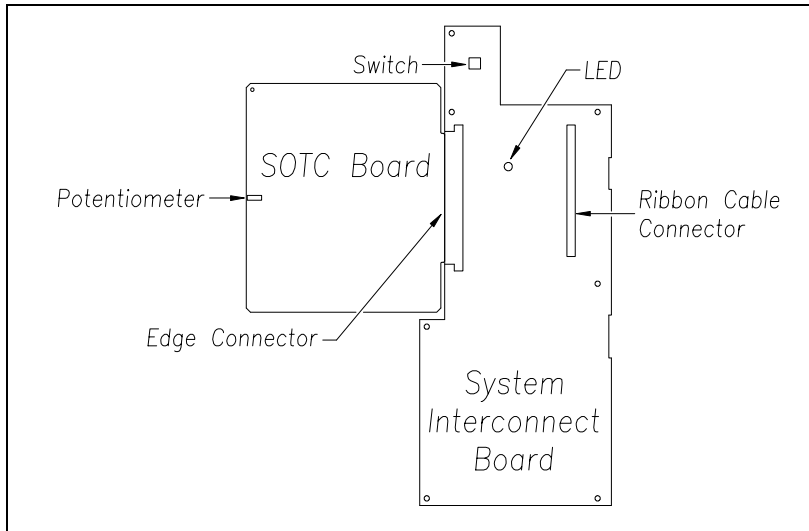


- b Unplug the Molex and ribbon cables from the Controller module.
- c Remove the four nuts that hold the Controller module to the rest of the SmartScanNG² enclosure.



- d** Detach the Controller module from the rest of the SmartScanNG² enclosure.

The SOTC board and the System-Interconnect board are now visible. On some System-Interconnect boards, the LED is to the right of the ribbon cable connector.



- e** Store the removed Controller module and nuts in a safe place until you replace them.
- f** Toggle on the DC power switch on the right edge of the SmartScanNG² enclosure.
- g** From the center of the gating transducer farthest from the track circuit, measure the shortest distance you want the track circuit to pick up the presence of a train.
The distance must be at least 15 feet (4.6 meters) and no more than 150 feet (45.7 meters).
- h** At the point just measured, place a hardwire shunt across both rails.
When lit, the LED on the System-Interconnect board indicates a received signal from the track circuit.
- i** Using a small slotted screwdriver, turn the potentiometer on the SOTC board until the LED on the System-Interconnect board goes out.
The potentiometer can be reached through a hole in the side of the SmartScanNG² enclosure.
- j** Using a small slotted screwdriver, turn the potentiometer on the SOTC board until the SOTC relay just picks up the signal from the track circuit.
The relay just picks up the signal when the LED on the System-Interconnect board first lights.
- k** Remove the hardwire shunt.
- l** Place the hardwire shunt across both rails at the point 5 feet (1.5 meters) beyond the measured point (that is, five feet farther from the gating transducer).
- m** If the LED on the System-Interconnect board is still lit, return to step **g**.

- n Remove the hardwire shunt.
- o Toggle off the DC power switch on the right edge of the SmartScanNG² enclosure.
- p Reattach the Controller module to the rest of the SmartScanNG² enclosure.
- q Plug the Molex and ribbon cables into the Controller module.
- r Toggle on the DC power switch on the right edge of the SmartScanNG² enclosure.
- s Go to step **37**.

36 If your system uses advance transducers:

You will next verify that each advance transducer is functional.

- a Using a metal wrench, stroke the top of one of the advance transducers.
The scanner shutters should open completely for 10 seconds.
- b On one of the bearing scanners, check to see if the shutter opens.
- c If the shutter didn't open, fix this problem before proceeding.
- d Using a metal wrench, stroke the top of the other advance transducer.
The scanner shutters should open completely for 10 seconds.
- e On one of the bearing scanners, check to see if the shutter opens.
- f If the shutter didn't open, fix this problem before proceeding.

37 Produce a Train Summary report.

Section 6.0 - Producing Reports tells how to produce this report.

The Train Summary report lists all trains currently stored in the Trains directory. A line of information is shown for each train entry. The report is divided into a header section and a detail section. The header section contains general information about the site. The detail section contains summary information on each train that passed the site.

38 On the Train Summary report, check the Axles column.

Axle count should be an even number. Odd-numbered axle counts are possible indications of gating transducer problems.

39 If there is an odd axle count and if train speed was always above 7 mph, go to step **41**.

If at any time during train passage the train speed was less than or equal to 7 mph (11.3 kph), gating transducer problems probably don't exist. If the train speed was always above seven mph, gating transducer problems probably do exist.

The Very Slow Train alarm indicates that, at some point during train passage, four consecutive axles crossed the gating transducers at a speed of 7 mph (11.3 kph) or less. This alarm appears on a Train Detail report.

If there are many slow trains (that is, many trains traveling less than 7 mph) at this site, it may be necessary to relocate the scanners and other track hardware to a better location. Deciding to do this should be made in consultation with STC. Relocating a site is beyond the scope of this document.

- 40** If there is an even axle count and the values under "Axles," "T01," and "TO2" are the same, go to step **45**.

If things are working correctly, all three values for a given train should be equal. You'll do the next step only if things aren't working correctly.

- 41** Determine which gating transducer is recording incorrect information.

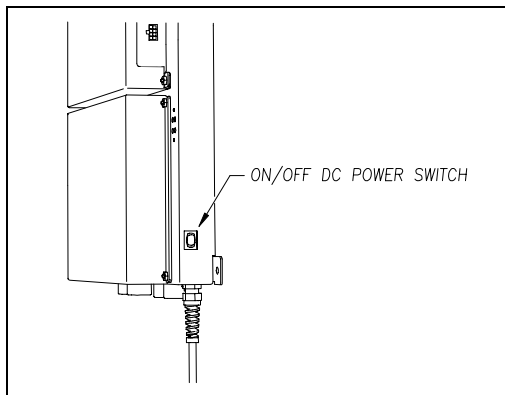
Determine which gating transducer is recording incorrect axle counts and whether it is not counting all axles or counting extra ones. You may not be able to do this by just looking at the values under the Axles, T01, and TO2 columns of the Train Summary report. Sometimes, a transducer problem causes the number in the Axles column to be incorrect. Therefore, the true axle count may have to be determined from an alternate source such as the next detector system that encounters the train with the transducer-count imbalance.

After you determine which gating transducer is miscounting, you'll need to change a jumper setting on the Interface board. If TO1 is the problem, you'll change the setting for J201. If TO2 is the problem, you'll change the setting for J202. If both TO1 and T02 have a problem, both jumpers will need to be changed.

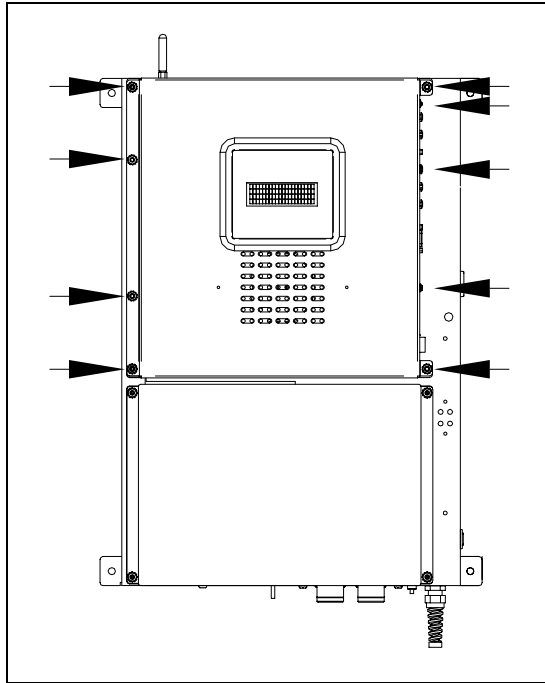
Changes to the jumpers should be made only after all external conditions that cause transducer miscounts have been corrected. Some of these external conditions are improperly installed transducers, loose transducer bolts, incorrect transducer heights, damaged transducers, damaged transducer cables, and loose wiring connections. You should have already checked and corrected these external conditions in steps **4** through **10** above. If you think the corrections you made in those steps fixes gating transducer miscounting, you can skip some of the steps below.

The process of adjusting the transducer loading is trial and error. Generally, if you have too many transducer counts, lower the loading resistance to make the transducer less sensitive. Likewise, too few counts suggest that the transducer is not sensitive enough, so you would select a loading value with more resistance.

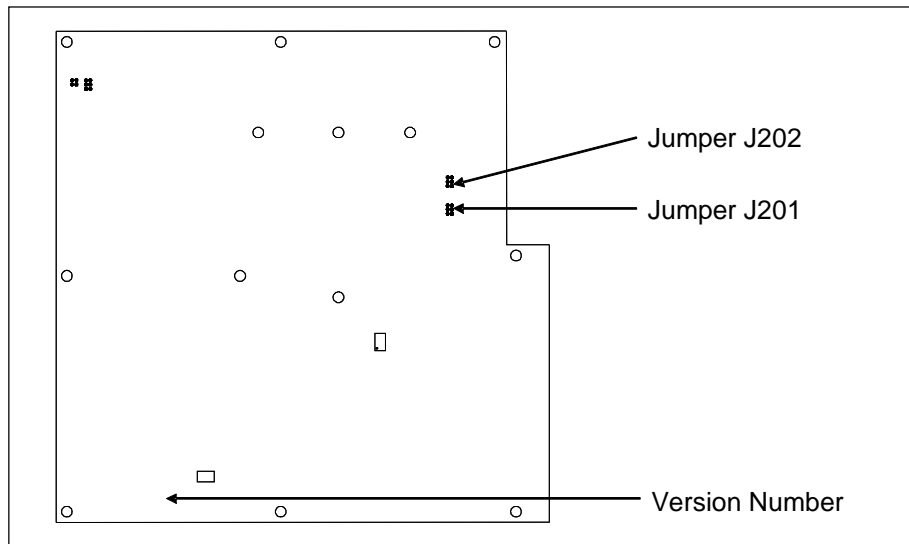
- 42** If you corrected all external conditions that negatively affect gating transducers and you think this fixes gating transducer miscounting, go to step **45**.
- 43** If the selected gating transducer appears to be missing axles (that is, the transducer that is showing a number of hits less than the true axle count):
- a** Toggle off the DC power switch on the right edge of the SmartScanNG² enclosure.



- b** Remove the six nuts and three screws holding the cover over the Interface board.



The Interface board is now visible.



- c** To prevent the base assembly from falling, replace two of the just removed nuts onto the top two mounting studs on the SmartScanNG² enclosure.
- d** Store the removed cover, three screws, and remaining four nuts in a safe place until you replace them.

The available loading sensitivities vary depending on which version of Interface board you have and whether resistors are attached to the jumpers or not. The version number is printed on the lower-left edge of the board.

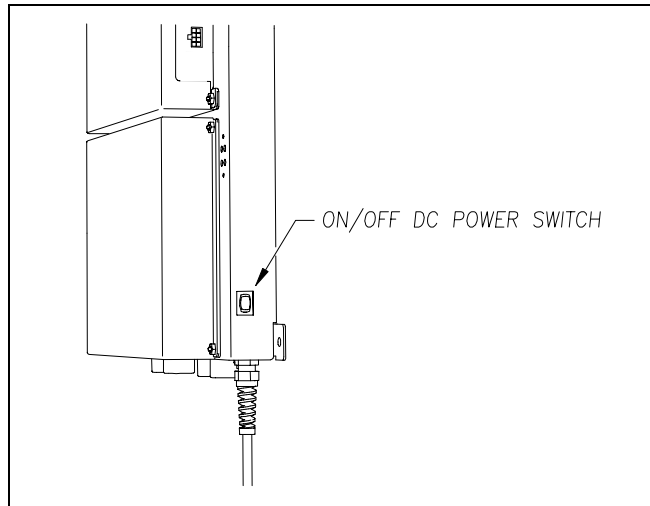
- e The table below lists the highest, middle, and lowest sensitivity for transducer loading. Highest is the most sensitive. The jumper's top position is the one closest to the external speaker.

J201 or J202 Jumper Position	Sensitivity Level
Top	Lowest Sensitivity
Center	Middle Sensitivity
Bottom	Highest Sensitivity

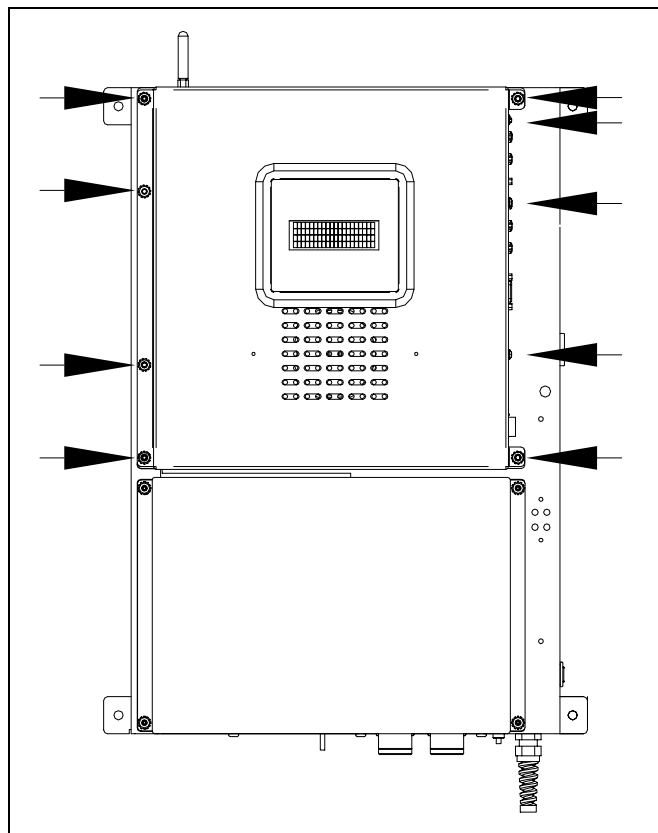
- f If TO1 is the selected gating transducer and the J201 jumper is currently on the lowest sensitivity position, move it to the middle sensitivity position.
- g If TO1 is the selected gating transducer and the J201 jumper is currently on the middle sensitivity position, move it to the highest sensitivity position.
- h If TO1 is the selected gating transducer and the J201 jumper is currently on the highest sensitivity position, call STC for help in fixing this problem.
- i If TO2 is the selected gating transducer and the J202 jumper is currently on the lowest sensitivity position, move it to the middle sensitivity position.
- j If TO2 is the selected gating transducer and the J202 jumper is currently on the middle sensitivity position, move it to the highest sensitivity position.
- k If TO2 is the selected gating transducer and the J202 jumper is currently on the highest sensitivity position, call STC for help in fixing this problem.
- l Remove the two nuts holding the base assembly to the SmartScanNG² enclosure.
- m Using the saved six nuts and three screws, reattach the cover over the Interface board.
- n Toggle on the DC power switch on the right edge of the SmartScanNG² enclosure.

44 If the selected gating transducer appears to be counting extra axes (that is, the transducer that is showing a number of hits more than the true axle count):

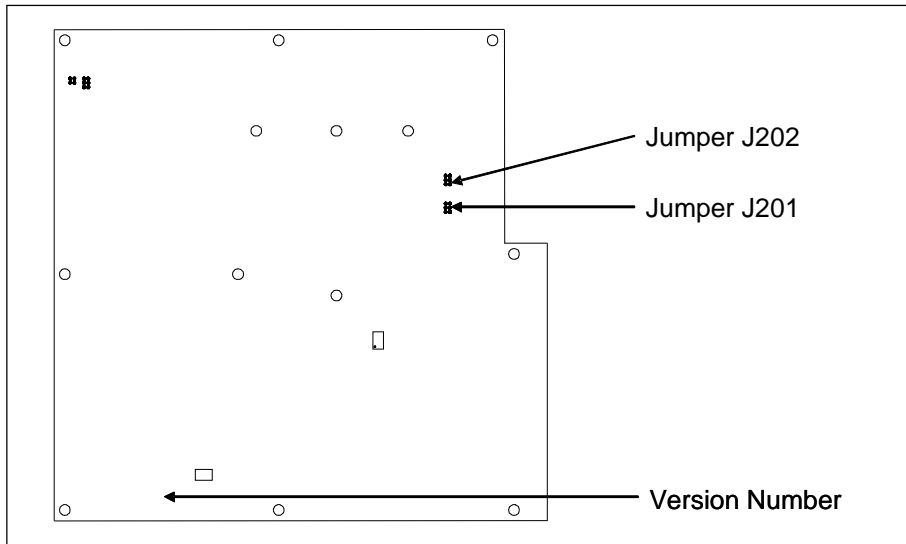
a Toggle off the DC power switch on the right edge of the SmartScanNG² enclosure.



b Remove the six nuts and three screws holding the cover over the Interface board.



The Interface board is now visible.



- c To prevent the base assembly from falling, replace two of the just removed nuts onto the top two mounting studs on the SmartScanNG² enclosure.
- d Store the removed cover, three screws, and remaining four nuts in a safe place until you replace them.

The available loading sensitivities vary depending on which version of Interface board you have and whether resistors are attached to the jumpers or not. The version number is printed on the lower-left edge of the board.

- e The table below lists the highest, middle, and lowest sensitivity for transducer loading. Highest is the most sensitive. The jumper's top position is the one closest to the external speaker.

J201 or J202 Jumper Position	Sensitivity Level
Top	Lowest Sensitivity
Center	Middle Sensitivity
Bottom	Highest Sensitivity

- f If TO1 is the selected gating transducer and the J201 jumper is currently on the highest sensitivity position, move it to the middle sensitivity position.
- g If TO1 is the selected gating transducer and the J201 jumper is currently on the middle sensitivity position, move it to the lowest sensitivity position.
- h If TO1 is the selected gating transducer and the J201 jumper is currently on the lowest sensitivity position, call STC for help in fixing this problem.
- i If TO2 is the selected gating transducer and the J202 jumper is currently on the highest sensitivity position, move it to the middle sensitivity position.
- j If TO2 is the selected gating transducer and the J202 jumper is currently on the middle sensitivity position, move it to the lowest sensitivity position.
- k If TO2 is the selected gating transducer and the J202 jumper is currently on the lowest sensitivity position, call STC for help in fixing this problem.

- l Remove the two nuts holding the base assembly to the SmartScanNG² enclosure.
 - m Using the saved six nuts and three screws, reattach the cover over the Interface board.
 - n Toggle on the DC power switch on the right edge of the SmartScanNG² enclosure.
- 45** To use the serial interface to open the scanner shutters:
- a Using the serial interface, display the Main Menu.
Section 4.0 - Serial Interface tells how to display the Main Menu
 - b Select the System Functions Menu

```
System Functions Menu
-----
[A] - Radio Test
[B] - Vocabulary Test
[C] - Radio Inhibit
[D] - Start Manual Train
[E] - 1KHz Test Tone
[F] - Auto-Calibration
[G] - Remote System RESET
[H] - Delete All Stored Train Data
[I] - Clear Event Log
      .
      .
      .
```

- c To open the shutters, select the Auto-Calibration option.
The protective shutters in all scanners should open and stay open for three minutes. This might not be enough time to check and clean the shutters and optics. If that isn't enough time, select this option again.

- 46 In each scanner, check if its shutter opened.
- 47 If any shutter didn't open, fix this problem before proceeding.
- 48 In each scanner, check for dirty optics.
- 49 If dirty, clean the scanner optics with the supplied lens cleaning kit.

Do not use solvents, ammonia-based cleaning solutions, or isopropyl alcohol on the optics. Use clean water or a mild solution of dishwashing liquid. After the liquid on the optics dries, lightly wipe the optics with a clean, dry chamois patch.

- 50 If the date and time displayed on the top of the System Functions menu are incorrect, fix them before proceeding.

Section 4.0 - Serial Interface tells how to change the date and time.

- 51 To check the operation of the radio:

- a From the System Functions menu, select Radio Test.

During a radio test, the SmartScanNG² system outputs phrases through the speaker and through the radio. Alternatively, you can output a 1kHz test tone instead of phrases. To do this, you would select the 1KHz Test Tone option.

- b While listening to the message or tone, look at the display panel.

The PTT LED should be lit.

If this LED isn't lit, the system's ability to send a message or tone to the radio might be inhibited. This can happen when one uses the Radio Inhibit option on the System Functions menu. If the radio is inhibited, the results of this check are invalid.

- c If the PTT LED isn't lit and the radio isn't inhibited, call STC for help in fixing this problem.

52 To check the integrity of the speech data:

- a Be sure that the speaker has its volume set to an audible level.
- b Using the serial interface, display the Main Menu.

Section 4.0 - Serial Interface tells how to display the Main Menu.

```
      .
      .
      .
[J] - Event log
[K] - System Functions Menu
[L] - Replay train
[M] - Security Menu
[X] - Exit
```

- c Select the System Functions menu.

```
System Functions Menu
-----
[A] - Radio Test
[B] - Vocabulary Test
[C] - Radio Inhibit
[D] - Start Manual Train
      .
      .
      .
```

- d From the System Functions menu, select Vocabulary Test
This message appears.

```
Starting Vocabulary Test
```

If the system isn't currently making any other voice announcements, it begins the Vocabulary Test announcement. The SmartScanNG² system outputs phrases through the speaker but not through the radio. After the announcement finishes, the System Functions menu reappears.

If the system is currently making a voice announcement, the firmware displays the "System Is Currently Making Voice Announcements! Try Again Later" message, and the System Functions menu reappears.

- e If you hear nothing or speech that is too garbled to understand, call STC for help in fixing this problem.

53 To generate a test train to check the number of axles:

- a** Quickly stroke the top of each gating transducer with a metal wrench, alternating between TO1 and TO2.
- b** Repeat step **a** nine more times, for a total of **ten** simulated axles.
- c** Wait for the system to time out and the shutters to close.
- d** Produce a Train Detail report for the last train.

Section 6.0 - Producing Reports tells how to produce this report.

- e** On the report, check that the number of axles agrees with the number of times that you stroked the gating transducers.
- f** On the report, if the number of axles doesn't agree with the number of times that you stroked the gating transducers, call STC for help in fixing this problem.

54 To generate a test train to check hot bearings:

STC recommends that you use the calibrated heat source (2100-810NG) only when the outside (ambient) temperature is above 0°F (-18°C) and below 90°F (32°C). If you must use it at other times, do so only when the needle is centered on the front of the temperature meter. If the needle isn't stabilized within ± 2 degrees of set point, the heat source isn't operating properly.

- a** Ready the calibrated heat source.

The heat source has reached operating temperature and stabilized when the temperature meter needle remains centered.

- b** With the power cord to the front of the scanner, place the calibrated heat source on the bearing scanner that is on the rail with the gating transducers.
- c** Quickly stroke the top of each gating transducer with a metal wrench, alternating between TO1 and TO2 for a total of **six** simulated axles.

You should hear the real-time defect message. No matter how many defects are found, the real-time defect message is only announced once.

- d** Wait for the system to time out, which normally takes about 10 seconds.

You should hear an end-of-train message with three Hotbox alarms. Per train, only the first three Hotbox alarms are ever announced.

- e** Listen to be sure that the Hotbox alarms are announced and that they are announced for the correct side.

If you do not hear anything, no alarm-level heat was recorded. No measurable heat from a bearing scanner may be due to loose connections, a scanner not being connected to the bottom of the SmartScanNG² enclosure, a defective shutter motor in the scanner, or a damaged scanner.

- f** If you do not hear any Hotbox alarms being announced, fix this problem before proceeding.

- g** If the Hotbox alarms are announced for the wrong side, switch the bearing scanner connections on the bottom of the SmartScanNG² enclosure.

- h** Repeat the test, this time placing the calibrated heat source on the bearing scanner on the opposite rail
 - i** Verify the results as before.
If the results are correct, your system should function properly when scanning the bearings of real trains.
 - j** Remove the calibrated heat source.
 - k** Store the calibrated heat source and its cable in the wayside enclosure.
- 55** On the Train Summary report, check the column marked "Average."
For each train, the values in the two columns under this heading should be within four degrees of each other.
- 56** If the columns aren't within four degrees and if the scanner optics are clean, recalibrate and realign the scanner.
Appendix F & G - Calibration of Type2/Type3 Scanners tells how to calibrate the scanners.
- 57** On the Train Summary report, check the last column of the report.
The last column shows the battery voltage at the time each train passed the site. It should show values between 13.0 and 14.5 volts. Values outside this range may be caused by:
- No AC power for an extended period
 - Improperly adjusted float voltage
 - Defective battery
 - Blown fuses
 - Defective battery charger
- 58** If the most recent value isn't between 13.0 and 14.5 volts, investigate and fix any problems before proceeding.
- 59** If this is a double-track site, repeat steps **18** through **58** for the other track (that is, for the other SmartScanNG² system).

9.0 Customer Service

At STC, the customer is number one. STC is committed to products that work and customers that are satisfied. Nothing less is acceptable. This section tells how to get answers for questions, fixes for problems, and parts for spares.

9.1 Reaching STC

You can reach STC by mail, telephone, fax, and email. By mail, you can reach STC at:

Southern Technologies Corporation
6145 Preservation Drive
Chattanooga, Tennessee 37416-3638
USA

Mail and shipments are replied to as soon as possible, normally within one working day. Equipment repair usually takes longer.

By telephone, you can reach STC at 423-892-3029, Monday through Friday, from 8:00 a.m. until 5:00 p.m. Eastern time. After business hours, a machine answers the calls. These calls are returned promptly the next business day. By fax, you can reach STC at 423-499-0045. The fax machine can receive faxes at all times. Faxes are replied to as soon as possible, normally within one working day. By email, you can reach STC at email@southern-tech.com. Email is replied to as soon as possible, normally within one working day.

9.2 Returning Equipment for Repair

Return any defective or malfunctioning equipment to STC for repair or replacement. You don't need a return authorization number. You don't even need to make a telephone call first. Just ship it directly to the **Repair Department** at the address above.

With the returned equipment, include:

- Complete address of where the equipment is to be returned.
- Name and telephone number of the person who should be contacted to answer questions about the equipment.
- A written explanation of the equipment defect or malfunction.
- Any reports or other data that would be helpful in diagnosing the problem.
- If out of warranty, credit card number (to be charged) with its expiration date.

9.3 Reporting Problems or Suggestions

If you have any problems, suggestions, or questions related to STC equipment, telephone the **Engineering Department** at the telephone number above. When calling, state the equipment you're calling about. Your call will then be directed to the right person.

9.4 Ordering Spare Parts

If you need any spare parts to support STC equipment, telephone or fax the **Sales Department** at the telephone numbers above.

When calling, state that you're calling to order parts. Your call will then be directed to the right person. When placing the order, reference the STC part numbers listed in this guide. However, if you don't have the part numbers, the sales staff can obtain them for you and provide you with current pricing and availability.

When faxing, include:

- Purchase Order Number for the order or credit card number (to be charged) with its expiration date.
- Complete address where the parts are to be shipped.
- Complete address where the invoice is to be mailed.
- Name and telephone number of the person who should be contacted to answer questions about the order.
- Your fax number, if available.
- For each item ordered, part number, complete description, and quantity needed.

9.5 Checking on Shipments and Orders

If you need to check on the status of any shipment or order, telephone or fax the **Sales Department** at the telephone numbers above.

When calling, state that you're checking the status of a shipment or order. Your call will then be directed to the right person. Have your Purchase Order Number ready when you call. However, if you don't have the order number, the sales staff can locate your order number and provide you with the status of the shipment or order.

When faxing, include:

- Purchase Order Number for the shipment or order being checked.
- Name and telephone number of the person who should be contacted after the order status is checked.
- Your fax number, if available.

Appendix A

System Alarms

This appendix describes the conditions and events that the SmartScanNG² system flags as System Alarms. These alarms provide data about passing trains and system status. These alarms are listed under the System Alarms section of the Train Detail and Exception Detail reports. **Section 6.0 - Producing Reports** tells how to produce these reports.

A.1 Cold Rail Alarm

The Cold Rail alarm indicates that the temperatures of all bearings (of the train) on the designated rail were below a given temperature. When no bearing on a given rail generates a delta temperature reading greater than or equal to the temperature set by the **Cold Rail Temperature option** on the Alarm Settings menu, the system generates a Cold Rail alarm. **Section 4.0 - Serial Interface** tells how to view or change the Cold Rail Temperature option.

Alarm Settings	

[A] - Absolute	150
[B] - Differential	255
[C] - Hot Wheel	500
[D] - Carside Slope	1.31
[E] - Carside Minimum	90
[F] - Cold Rails	3
[G] - Cold Rail Temp	10
[H] - Cold Res Counter	3
[I] - Res Test: Minimum Rail Avg	25
[J] - Res Test: Minimum Wheel Avg ...	28
[K] - Warm Bearing Trigger	50
[L] - Warm Wheel Trigger	100
[X] - Exit	

There is a different Cold Rail alarm for each rail. That is, there is a Cold North Rail alarm and a Cold South Rail alarm (or, depending on track direction, a Cold East Rail alarm and a Cold West Rail alarm).

The maximum number (per rai-side) of consecutive trains, having Cold Rail alarms, allowed before generating a Successive Cold Rails Exceeded alarm is set by the **Cold Rails option** on the Alarm Settings menu. If the number of consecutive trains bearing identical Cold Rail alarms equals or exceeds the cold-rail-alarm limit, the System Alarms section of the Train Detail and Exception Detail reports displays the message "Successive Cold Rails Exceeded." Successive Cold Rails Exceeded alarms are covered in the next appendix. **Section 4.0 - Serial Interface** tells how to view or change the Cold Rails option.

```

      •
      •
      •
[D] - Carside Slope ..... 1.31
[E] - Carside Minimum ..... 90
[F] - Cold Rails ..... 3
[G] - Cold Rail Temp ..... 10
[H] - Cold Res Counter ..... 3
[I] - Res Test: Minimum Rail Avg .... 25
[J] - Res Test: Minimum Wheel Avg ... 28
[K] - Warm Bearing Trigger ..... 50
[L] - Warm Wheel Trigger ..... 100
[X] - Exit

```

A.2 Cold Resistor Alarm

A resistor is mounted to the inside of the bearing scanner's shutter. A voltage is applied to this resistor while the shutter is open, causing it to heat up. After a train has left a site and the shutters have closed, the temperature of the resistor is read by the scanner pyrometer. In this way, a check of the system's ability to read heat correctly is made. The Cold Resistor alarm indicates that the minimum value expected for the temperature of the resistor wasn't met. This minimum value is determined by the firmware and is dependent upon the time it takes a train to pass a site.

If the **minimum value** wasn't met, a second check compares the recorded resistor temperature against the limit that was established using the Absolute option on the Alarm Settings menu. (This alarm limit is an offset, in degrees Fahrenheit, above the ambient temperature.) If the recorded resistor temperature meets or exceeds the absolute-alarm limit, the firmware cancels any previously flagged Cold Resistor alarms. **Section 4.0 - Serial Interface** tells how to view or change the Absolute option.

```

Alarm Settings
-----
[A] - Absolute ..... 150
[B] - Differential ..... 255
[C] - Hot Wheel ..... 500
      •
      •
      •

```

There is a different Cold Resistor alarm for each rail. That is, there is a Cold North Resistor alarm and a Cold South Resistor alarm (or, depending on track direction, a Cold East Resistor alarm and a Cold West Resistor alarm).

The **maximum number** (per railside) of consecutive trains, having Cold Resistor alarms, allowed before generating a Successive Cold Resistors Exceeded alarm is set by the **Cold Resistor Counter option** on the Alarm Settings menu. Successive Cold Resistors Exceeded alarms are covered in the next appendix. **Section 4.0 - Serial Interface** tells how to view or change the Cold Resistor Counter option.

	:
	:
	:
[D]	- Carside Slope 1.60
[E]	- Carside Minimum 300
[F]	- Cold Rails 2
[G]	- Cold Rail Temp 10
[H]	- Cold Res Counter 3
	:
	:

A.3 Cold Wheel Scanner Alarm

The Cold Wheel Scanner alarm represents the wheel scanner's equivalent of the bearing scanner's Cold Rail alarm. When no wheel on a given rail generates a delta temperature reading greater than or equal to a preset minimum, the system generates a Cold Wheel Scanner alarm. The preset minimum temperature is determined by the firmware and is currently 9°F above ambient (5°C above ambient). The customer can't change this value. Just like Cold Rail alarms, separate Cold Wheel Scanner alarms exist for each railside.

The maximum number (per railside) of consecutive trains, having Cold Wheel Scanner alarms, allowed before generating a Successive Cold Wheels Exceeded alarm is set by the **Cold Rails option** on the Alarm Settings menu. Successive Cold Wheels Exceeded alarms are covered in the next appendix. **Section 4.0 - Serial Interface** tells how to view or change the Cold Rails option.

	:
	:
	:
[D]	- Carside Slope 1.31
[E]	- Carside Minimum 90
[F]	- Cold Rails 3
[G]	- Cold Rail Temp 10
[H]	- Cold Res Counter 3
	:
	:

A.4 Cold Wheel Scanner Resistor Alarm

The Cold Wheel Scanner Resistor alarm represents the wheel scanner's equivalent of the bearing scanner's Cold Resistor alarm. Evaluation of Cold Wheel Scanner Resistor alarm occurs in two stages. The first stage mimics the same logic used in the evaluation of Cold Resistor alarms. After finishing this check and possibly flagging a Cold Wheel Scanner Resistor alarm, the firmware compares the recorded resistor temperature against a value of one-third of the hot wheel alarm limit. If the recorded resistor temperature meets or exceeds this value, the firmware cancels any previously flagged Cold Wheel Scanner Resistor alarm. In this way, the system confirms the scanner's ability to read alarm level heat. Just like Cold Resistor alarms, separate Cold Wheel Scanner Resistor alarms exist for each railside.

The maximum number (per railside) of consecutive trains, having Cold Wheel Scanner Resistor alarms, allowed before generating a Successive Cold Wheel Resistors Exceeded alarm is set by the Cold Rails option on the Alarm Settings menu. Successive Cold Wheel Resistors Exceeded alarms are covered in the next appendix. **Section 4.0 - Serial Interface** tells how to view or change the Cold Rails option.

	•
	•
	•
[D] - Carside Slope	1.31
[E] - Carside Minimum	90
[F] - Cold Rails	3
[G] - Cold Rail Temp	10
[H] - Cold Res Counter	3
	•
	•
	•

A.5 Highrange Transducer Miscounts Alarm

The Highrange Transducer Miscounts alarm indicates that the transducer counts for TO1 and TO2 are off by seven or more. This calculation is made after each axle crosses both gating transducers. When this alarm occurs, the system won't announce axle count, exit speed, length of train, or total number of cars (even if these messages are enabled).

The Highrange Transducer Miscounts alarm can be either a System Alarm or an Integrity Failure, depending on the presence of a Very Slow Train alarm. If a highrange transducer miscount occurs on a train that also contains a Very Slow Train alarm, the firmware treats the miscount condition as a System Alarm. This logic assumes that the train's slow rate of travel likely caused the transducer miscount condition. If a highrange transducer miscount occurs on a train traveling faster than 7 mph (11.3 kph), the firmware treats the miscount condition as an Integrity Failure.

A.6 Integrity Failure Alarm

The Integrity Failure alarm indicates that the SmartScanNG² system determined that a condition exists that could prevent proper scanning of a train. In other words, this alarm indicates the existence of one or more conditions in which the integrity of the system, and its ability accurately to record train data, may be compromised. These unusual conditions, called Integrity Failures, may require train stoppage, later maintenance, or both. They are covered in the next appendix.

A.7 Low Battery Alarm

The Low Battery alarm indicates a float voltage of at least 11.8 volts, but less than 12.6 volts, on the standby battery.

A.8 Midrange Transducer Miscounts Alarm

The Midrange Transducer Miscounts alarm indicates that the transducer counts for TO1 and TO2 are off by five or six. This calculation is made after each axle crosses both gating transducers.

A.9 No Approach Track Alarm

The No Approach Track alarm indicates that the track circuit (or the advance transducers) failed to signal the presence of a train and that the SmartScanNG² system started from the train passing over the gating transducers.

NOTE: This alarm is suppressed if the Presence Hardware is set to “No” in Equipment Setup Menu.

A.10 Pyrometer Noise Filtered Rail Alarm

The Pyrometer Noise Filtered Rail alarm indicates that a pyrometer in a bearing scanner might be becoming unreliable. This alarm isn't considered an Integrity Failure and therefore won't result in “Integrity Failure” being part of the post-train announcement.

There is a different Pyrometer Noise Filtered Rail alarm for each rail. That is, there is a Pyrometer Noise Filtered North Rail alarm and a Pyrometer Noise Filtered South Rail alarm (or, depending on track direction, a Pyrometer Noise Filtered East Rail alarm and a Pyrometer Noise Filtered West Rail alarm).

A.11 Pyrometer Noise Filtered Wheel Alarm

The Pyrometer Noise Filtered Wheel alarm indicates that a pyrometer in a wheel scanner might be becoming unreliable. This alarm isn't considered an Integrity Failure and therefore won't result in "Integrity Failure" being part of the post-train announcement.

There is a different Pyrometer Noise Filtered Wheel alarm for each rail. That is, there is a Pyrometer Noise Filtered North Wheel alarm and a Pyrometer Noise Filtered South Wheel alarm (or, depending on track direction, a Pyrometer Noise Filtered East Wheel alarm and a Pyrometer Noise Filtered West Wheel alarm).

A.12 Reverse Direction Detected

Trains that are being scanned correctly will have axles whose on times are less than their off times. For each axle of a passing train (except for the first axle), the system checks for an on-time that is greater than the off-time. If the axle's on time is greater than its off time, the system reverses the direction locked-in by the first gating pulse, reverses the opening and closing gate assignment for TO1 and TO2, and generates a false transducer pulse. The system considers the gate active for the next axle at the time it determines the current axle's opening gate pulse was missed.

The Reverse Direction Detected alarm indicates that the system entered a state where it is scanning for bearing temperatures when the axles are outside the scanning gate. In this state, the transducer that should be opening the scanning gate is considered by the system to be the transducer that is closing the gate. Likewise, the transducer that should be closing the scanning gate is considered the transducer that is opening the gate.

A.13 Short Train Alarm

The Short Train alarm indicates that a train had fewer than 50 axles.

A.14 Stuck Dragger Recovered Alarm

The Stuck Dragger Recovered alarm indicates that a stuck dragger was detected during train passage and, at some point later, the dragging-equipment detector returned to its neutral position. After returning to its neutral position, the firmware must scan at least eight consecutive Dragger free axles before flagging this condition again.

A.15 Test Train Alarm

The Test Train alarm indicates that a given train was generated by the SmartScanNG² system. These trains are used for testing purposes and do not represent actual trains passing the site.

A.16 Very Slow Train Alarm

The Very Slow Train alarm indicates that, at some point during train passage, four consecutive axles crossed the gating transducers at a speed of 7 mph (11.3 kph) or less. When this alarm occurs, the system won't announce axle count, exit speed, length of train, and total number of cars (even if these messages are enabled).

Appendix B

Integrity Failures

This appendix describes the conditions and events that the SmartScanNG² system flags as Integrity Failures. These alarms indicate conditions in which the integrity of the system, and its ability to record train data accurately, may be compromised. These alarms are listed under the System Alarms section of the Train Detail and Exception Detail reports. **Section 6.0 - Producing Reports** tells how to produce these reports.

B.1 Dead Battery Alarm

The Dead Battery alarm indicates a float voltage of less than 11.8 volts on the standby battery.

B.2 Dead Resistor Alarm

The bearing scanner's Dead Resistor alarm indicates the presence of two separate conditions. First, the train must contain a Cold Rail alarm on a given rail. Second, the recorded temperature for the bearing scanner's resistor on that rail must fall below the value set by the Cold Rail Temperature option on the Alarm Settings menu. **Section 4.0 - Serial Interface** tells how to view or change the Cold Rail Temperature option.

Alarm Settings	

[A] - Absolute	150
[B] - Differential	255
[C] - Hot Wheel	500
[D] - Carside Slope	1.31
[E] - Carside Minimum	90
[F] - Cold Rails	3
[G] - Cold Rail Temp	10
[H] - Cold Res Counter	3
[I] - Res Test: Minimum Rail Avg	25
[J] - Res Test: Minimum Wheel Avg ...	28
[K] - Warm Bearing Trigger	50
[L] - Warm Wheel Trigger	100
[X] - Exit	

There is a different Dead Resistor alarm for each rail. That is, there is a Dead North Resistor alarm and a Dead South Resistor alarm (or, depending on track direction, a Dead East Resistor alarm and a Dead West Resistor alarm).

B.3 Dead Wheel Scanner Resistor Alarm

The wheel scanner's Dead Wheel Scanner Resistor alarm indicates the presence of two separate conditions. First, the train must contain a Cold Wheel Scanner alarm on a given rail. Second, the recorded temperature for the wheel scanner's resistor on that rail must fall below the value set by the Cold Rail Temperature option on the Alarm Settings menu. **Section 4.0 - Serial Interface** tells how to view or change the Cold Rail Temperature option.

Alarm Settings	
[A] - Absolute	150
[B] - Differential	255
[C] - Hot Wheel	500
[D] - Carside Slope	1.31
[E] - Carside Minimum	90
[F] - Cold Rails	3
[G] - Cold Rail Temp	10
[H] - Cold Res Counter	3
[I] - Res Test: Minimum Rail Avg	25
[J] - Res Test: Minimum Wheel Avg	28
[K] - Warm Bearing Trigger	50
[L] - Warm Wheel Trigger	100
[X] - Exit	

There is a different Dead Wheel Scanner Resistor alarm for each rail. That is, there is a Dead North Wheel Scanner Resistor alarm and a Dead South Wheel Scanner Resistor alarm (or, depending on track direction, a Dead East Wheel Scanner Resistor alarm and a Dead West Wheel Scanner Resistor alarm).

B.4 Highrange Transducer Miscounts Alarm

The Highrange Transducer Miscounts alarm indicates that the transducer counts for TO1 and TO2 are off by seven or more. This calculation is made after each axle crosses both gating transducers. When this alarm occurs, the system won't announce axle count, exit speed, length of train, or total number of cars (even if these messages are enabled).

The Highrange Transducer Miscounts alarm can be either a System Alarm or an Integrity Failure, depending on the presence of a Very Slow Train alarm. If a highrange transducer miscount occurs on a train that also contains a Very Slow Train alarm, the firmware treats the miscount condition as a System Alarm. This logic assumes that the train's slow rate of travel likely caused the transducer miscount condition. If a highrange transducer miscount occurs on a train traveling faster than 7 mph (11.3 kph), the firmware treats the miscount condition as an Integrity Failure.

B.5 Stuck Dragger During Train Passage Alarm

The Stuck Dragger During Train Passage alarm indicates that the preset maximum number of consecutive axles have had Dragging-Equipment alarms during train passage. The maximum number is determined by the firmware and is currently five.

B.6 Stuck Dragger Pretrain Alarm

The Stuck Dragger Pretrain alarm indicates that the dragging-equipment detector was stuck before the scanners started scanning. That is, between the time of first receiving a pulse from the track circuit (or the advance transducers) and the time of first receiving a pulse from either gating transducer, the SmartScanNG² system detected an open circuit from the dragging-equipment detector.

B.7 Stuck High-Load Detector Pretrain Alarm

The Stuck High-Load Detector Pretrain alarm indicates that, before the scanners started scanning, the high-load detector was stuck. That is, between the time of first receiving a pulse from the track circuit (or the advance transducers) and the time of first receiving a pulse from either gating transducer, the SmartScanNG² system detected an open circuit from the high-load detector.

B.8 Stuck Wide-Load Detector Pretrain Alarm

The Stuck Wide-Load Detector Pretrain alarm indicates that, before the scanners started scanning, the wide-load detector was stuck. That is, between the time of first receiving a pulse from the track circuit (or the advance transducers) and the time of first receiving a pulse from either gating transducer, the SmartScanNG² system detected an open circuit from the wide-load detector.

There is a different Stuck Wide-Load Detector Pretrain alarm for each rail. That is, there is a Stuck Wide-Load Detector Pretrain North Side alarm and a Stuck Wide-Load Detector Pretrain South Side alarm (or, depending on track direction, a Stuck Wide-Load Detector Pretrain East Side alarm and a Stuck Wide-Load Detector Pretrain West Side alarm).

B.9 Successive Cold Rails Exceeded Alarm

The Successive Cold Rails Exceeded alarm indicates that at least a preset maximum number of consecutive trains, all having Cold Rail alarms on the same raiiside, have passed a site. The maximum number (per raiiside) of consecutive trains having Cold Rail alarms allowed before generating this alarm is set by the Cold Rails option on the Alarm Settings menu.

Section 4.0 - Serial Interface tells how to view or change the Cold Rails option.

	•
	•
	•
[D] - Carside Slope	1.31
[E] - Carside Minimum	90
[F] - Cold Rails	3
[G] - Cold Rail Temp	10
[H] - Cold Res Counter	3
	•
	•
	•

Under normal circumstances, Cold Rail conditions represent System Alarms, not Integrity Failures. However, if the number of consecutive trains bearing the same Cold Rail alarm equals or exceeds the cold-rail-alarm limit, this condition becomes an Integrity Failure. If the number of consecutive trains bearing identical Cold Rail alarms equals or exceeds the cold-rail-alarm limit, the System Alarms section of the Train Detail and Exception Detail reports displays the message "Successive Cold Rails Exceeded."

B.10 Successive Cold Resistors Exceeded Alarm

The Successive Cold Resistors Exceeded alarm indicates that at least a preset maximum number of consecutive trains, all having Cold Resistor alarms on the same raiiside, have passed a site. The maximum number (per raiiside) of consecutive trains having Cold Resistor alarms allowed before generating an Integrity Failure alarm is set by the Cold Rails option on the Alarm Settings menu. **Section 4.0 - Serial Interface** tells how to view or change the Cold Rails option.

	•
	•
	•
[D] - Carside Slope	1.31
[E] - Carside Minimum	90
[F] - Cold Rails	3
[G] - Cold Rail Temp	10
[H] - Cold Res Counter	3
	•
	•
	•

Under normal circumstances, Cold Resistor conditions represent System Alarms, not Integrity Failures. However, if the number of consecutive trains bearing the same Cold Resistor alarm equals or exceeds the cold-rail-alarm limit, this condition becomes an Integrity Failure. If the number of consecutive trains bearing identical Cold Resistor alarms equals or exceeds the cold-rail-alarm limit, the System Alarms section of the Train Detail and Exception Detail reports displays the message "Successive Cold Resistors Exceeded."

B.11 Successive Cold Wheels Exceeded Alarm

The Successive Cold Wheels Exceeded alarm indicates that at least a preset maximum number of consecutive trains, all having Cold Wheel Scanner alarms on the same rai-side, have passed a site. The user determines the number of consecutive trains used in the comparison through the Cold Rails setup parameter. **Section 4.0 - Serial Interface** tells how to view or change the Cold Rails option.

	:
	:
	:
[D] - Carside Slope	1.31
[E] - Carside Minimum	90
[F] - Cold Rails	3
[G] - Cold Rail Temp	10
[H] - Cold Res Counter	3
	:
	:
	:

Under normal circumstances, Cold Wheel conditions represent System Alarms, not Integrity Failures. However, if the number of consecutive trains bearing the same Cold Wheel Scanner alarm equals or exceeds the cold-rail-alarm limit, this condition becomes an Integrity Failure. If the number of consecutive trains bearing identical Cold Wheel Scanner alarms equals or exceeds the cold-rail-alarm limit, the System Alarms section of the Train Detail and Exception Detail reports displays the message "Successive Cold Wheels Exceeded."

B.12 Successive Cold Wheel Resistors Exceeded Alarm

The Successive Cold Wheel Resistors Exceeded alarm occurs when a specified number of consecutive trains, each containing a Cold Wheel Scanner Resistor alarm on the same railside, pass the site. The user determines the number of consecutive trains used in the comparison through the Cold Rails setup parameter. **Section 4.0 - Serial Interface** tells how to view or change the Cold Rails option.

	•
	•
	•
[D] - Carside Slope	1.31
[E] - Carside Minimum	90
[F] - Cold Rails	3
[G] - Cold Rail Temp	10
[H] - Cold Res Counter	3
	•
	•
	•

Under normal circumstances, Cold Wheel Resistor conditions represent System Alarms, not Integrity Failures. However, if the number of consecutive trains bearing the same Cold Wheel Scanner Resistor alarm equals or exceeds the cold-rail-alarm limit, this condition becomes an Integrity Failure. If the number of consecutive trains bearing identical Cold Wheel Scanner Resistor alarms equals or exceeds the cold-rail-alarm limit, the System Alarms section of the Train Detail and Exception Detail reports displays the message "Successive Cold Wheel Resistors Exceeded."

B.13 Train Present on Restart Alarm

The Train Present on Restart alarm indicates that a train was present at the site when the system was powering up.

Appendix C

System Functions

This appendix lists the system functions provided by the SmartScanNG² system.

To access the system functions:

- 1 Using the serial interface, display the Main Menu.

Section 4.0 - Serial Interface tells how to display the Main Menu. The Main Menu looks like this.

```
SmartSCAN NG2
02/11/2021 13:08:58 EST
Main Menu - Comm
-----
[A] - Train Summary
[B] - Train Detail
[C] - Exception Summary
[D] - Exception Detail
[E] - System Status Report
[F] - Last Train
[G] - Train DSRs
[H] - AEI Diagnostic
[I] - Setup
[J] - Event log
[K] - System Functions Menu
[L] - Replay train
[M] - Security Menu
[X] - Exit
```

2 Select System Functions menu.

The System Functions menu appears.

```
System Functions Menu
-----
[A] - Radio Test
[B] - Vocabulary Test
[C] - Radio Inhibit
[D] - Start Manual Train
[E] - 1KHz Test Tone
[F] - Auto-Calibration
[G] - Reboot System
[H] - Delete All Stored Train Data
[I] - Clear Event Log
[K] - Update Menu
[L] - Maintenance Menu
[M] - Volume up (3)
[N] - Volume down (3)
[O] - Web security settings
[X] - Exit
```

C.1 Radio Test

Selection of the Radio Test option broadcasts a short message through the speaker and through the radio. Using this option lets you verify that the speaker and radio are working properly.

At single-track sites, the text of the message is "Testing, Alaska Rail, milepost, (*milepost number*), testing, one, two, three, four, five, four, three, two, one, testing." At double-track sites, the text of the message is "Testing, Alaska Rail, milepost, (*milepost number*), track (*track designation*), testing, one, two, three, four, five, four, three, two, one, testing."

C.2 Vocabulary Test

Selection of the Vocabulary Test option enunciates all stored speech phrases. This announcement is broadcast through the speaker but not through the radio. Therefore, it isn't affected by the Radio Inhibit option being enabled.

The text of the message is "zero, one, two, three, four, five, six, seven, eight, niner, not-working, **beep**, Alaska Rail, milepost, main-3, system-working, no-defects, main-1, main-2, rebroadcast, hotwheel, defect, axle, dragging-equipment-near, north, south, rail, east, west, track, car-I-D, no, hotbox, high-wide, near, you-have-a-defect, testing, train too slow, total axles, speed, temperature, length, minus, point, middle, high-load, wide-load, power-off, excess-alarms, repeat, total-cars, detector-out, A, B, C, D, E, F, G, H, I, J, K, L, M, N, O, P, Q, R, S, T, U, V, W, X, Y, Z, first, second, third, fourth, left, right, side, load, scanner resistor test, beginning in, minutes."

C.3 Radio Inhibit

Selection of the Radio Inhibit option prevents radio activation for three minutes. During this time, any announcements generated by the system are broadcast through the speaker, but not through the radio. This feature may be overridden by recalling this submenu and then typing **N**.

C.4 Start Manual Train

Selection of the Manual Train Mode option opens all the shutters and simulates transducer pulses for about one minute. During this time, a person can check various aspects of the installed components. In this mode, the system runs the ramp function without generating heats. The train is marked as a test train. There won't be any voltage applied to the scanner inputs.

The test is timed, and you cannot stop this test by pressing **[Esc]**.

The data generated for this test train is stored in the Test Train directory, which contains data on the last test train only. The Last Test Train report gets its data from this directory.

C.5 1KHz Test Tone

Selection of the 1KHz Test Tone option generates a continuous tone for about 10 seconds through the speaker and the radio. Using this option lets you verify that the speaker and radio are working properly.

C.6 Auto-Calibration

Selection of the Auto-Calibration option places the system in autocalibration mode.

The SmartScanNG² system self-calibrates its pyrometer interface circuitry. You need only put a preheated calibrated heat source on a scanner and place the system in autocalibration mode. The system then scans all pyrometer inputs until the signal from the calibrated heat source is located. The necessary adjustments to the related interface circuitry are automatically made while the system monitors its own progress by analyzing changes in the heat signals. Once the procedure has been completed, autocalibration mode is disengaged, and the calibration results are displayed on your computer. For more details, see ***Appendix F & G - Calibration of Type2/Type3 Scanners***.

C.7 Remote System Reset

Selection of the Remote System Reset option forces a system reset through a remote connection. It can also be used locally.

C.8 Delete All Stored Train Data

Selection of the Delete All Stored Train Data option erases all stored train data. This encompasses all data on the trains in the Trains directory, Exceptions directory, and Test Train directory. After deleting all the train data, there isn't any way of regenerating it. The data is gone forever.

C.9 Clear Event Log

Selection of the Clear Event Log option erases all events stored in the Event Log and displayed on the Event Log report. After deleting the log, there isn't any way of regenerating it. The data is gone forever.

C.10 Update Menu

```
      .
      .
[H] - Delete All Stored Train Data
[I] - Clear Event Log
[K] - Update Menu
[L] - Maintenance Menu
      .
      .
```

- a** Select **Update Menu** from the System Functions menu.

This prompt appears.

```
Update Menu
-----
[A] - Select Update File
[X] - Exit
```

- b** Choose the **Select Update File** from the Update menu.

This prompt appears.

```
Select update file:
[A] - ARR_00-69.ng
[B] - ARR_00-70.ng
```

- d** Select appropriate file from menu options.

C.11 View maintenance statistics

From the System Functions Menu select Maintenance Menu.

A prompt like this appears.

```
Maintenance Menu
-----
[A] - View maintenance statistics
[B] - Reset System Health
[C] - Maintenance email list
[X] - Exit
```

Select the **View maintenance statistics** option to display diagnostic information for various system parameters.

Example:

```
Maintenance information gathered over 10 days
Positive numbers indicate an increase, negative indicates a decrease.
-----
Metric (per day)           percent change    Weighted value    Limit    Problem
-----
Number of Trains           -11              (-11.000000)     0        No
Low Miscount               0                ( 0.000000)     50       No
High Miscount              0                ( 0.000000)     50       No
Average Temperature 0     0                ( 0.000000)     50       No
Average Temperature 1    -11              (-11.000000)     50       No
Average Temperature 2    -44              (-44.000000)     50       No
Average Temperature 3    -44              (-44.000000)     50       No
Cold Rail 0               22               ( 22.000000)     50       No
Cold Rail 1               22               ( 22.000000)     50       No
Cold Rail 2               0                ( 0.000000)     50       No
Cold Rail 3               0                ( 0.000000)     50       No
Average miscount          0                ( 0.000000)     0        No
Average voltage percentage 0                ( 0.000000)     0        No
```

C.12 Reset System Health

Selection of the Reset System Health option resets system warnings and zeros all health check counts.

C.13 Maintenance email list

Selection of the Maintenance email list allows you to choose or add email addresses to be recipients of maintenance reporting.

C.14 Volume up/Volume down

Selection of the Volume up/Volume down options allows for adjustment of the speaker volume.

```
      :  
      :  
      :  
[O] - Volume up (3)  
[P] - Volume down (3)  
[Q] - Web security settings  
[X] - Exit
```

There are 10 selectable volume levels (0-9). Level-0 is minimum volume and Level-9 is the maximum volume. The current volume setting is indicated in parenthesis.

C.15 Web security settings

Select **Web security settings** from the System Functions menu.

A prompt like this appears.

```
Web Security Settings  
-----  
[A] - Train Summary ..... Anyone  
[B] - Train Detail ..... Anyone  
[C] - View Setup ..... Anyone  
[D] - Change Setup ..... Anyone  
[E] - System Update ..... Anyone  
[X] - Exit
```

Security settings for each function include **Anyone**, **User**, **Admin**, and **Restricted**. Selecting the menu option repeatedly will step through all possible security settings.

Appendix D

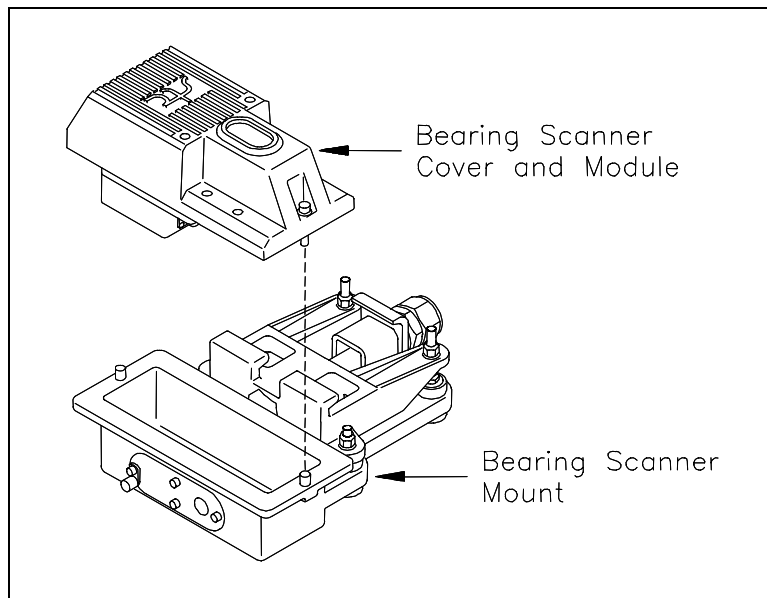
Replacement of Type2 Scanners

There are type2 bearing scanners and type2 wheel scanners. Both contain two major parts. The top part is the cover-and-module assembly. The module and its protective cover are tightly integrated and rarely should be taken apart. Except for the addition of a plastic attenuation plug on the wheel scanner cover, both types of cover-and-module assemblies are identical and can be used interchangeably. The bottom part is the mount. Bearing scanner mounts and wheel scanner mounts are different in design. They can't be interchanged.

This appendix tells how to replace scanner cover-and-module assemblies. The replacement of scanner mounts isn't covered in this guide.

D.1 Bearing Scanners

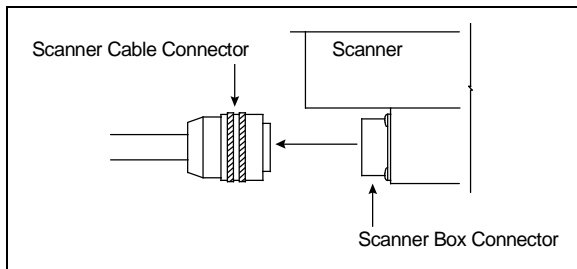
The figure below shows the major parts of a type2 bearing scanner.



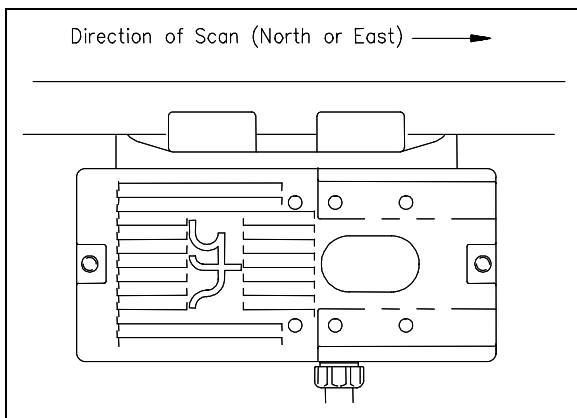
To replace a type2 bearing scanner cover-and-module assembly:

- 1 Be sure that you have on hand a new scanner cover-and-module assembly.
- 2 Be sure that you have on hand a T-handle 1/4-inch hex-wrench.

- 3 **Turn off** all power to the SmartScanNG² enclosure.
- 4 Using a T-handle 1/4-inch hex-wrench, loosen both socket-head-cap screws on the cover of the bearing scanner.
- 5 Separate the scanner cover-and-module assembly from its mount.
- 6 Disconnect the scanner cable connector from the scanner box connector.



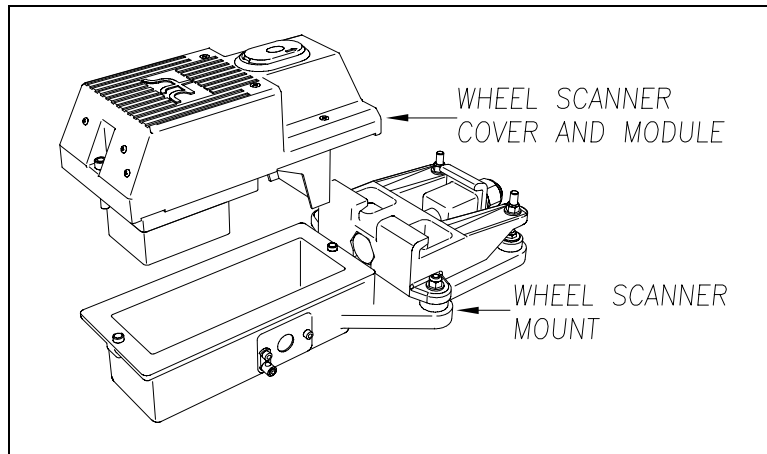
- 7 Store the removed scanner cover-and-module assembly in a safe place until you return it to STC for repair.
- 8 Attach the scanner cable connector to the scanner box connector (on the new scanner cover-and-module assembly).
- 9 With the hole (on top of the scanner cover) facing north or east, replace the scanner cover-and-module assembly onto its mount.



- 10 Using a T-handle 1/4-inch hex-wrench, tighten the two screws (on the scanner cover) until they are completely tight.
- 11 **Turn on** power to the SmartScanNG² enclosure.

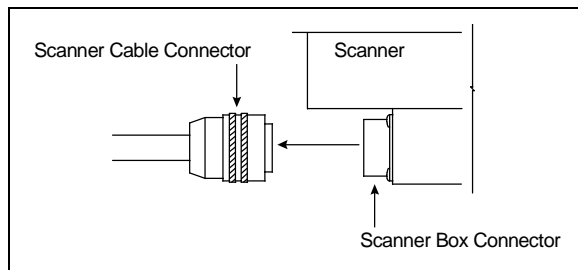
D.2 Wheel Scanners

The figure below shows the major parts of a type2 wheel scanner.



To replace a type2 wheel scanner cover-and-module assembly:

- 1 Be sure that you have on hand a new scanner cover-and-module assembly.
- 2 Be sure that you have on hand a T-handle 1/4-inch hex-wrench.
- 3 Turn off all power to the SmartScanNG² enclosure.
- 4 Using a T-handle 1/4-inch hex-wrench, loosen the two socket-head-cap screws on the cover of the bearing scanner.
- 5 Separate the scanner cover-and-module assembly from its mount.
- 6 Disconnect the scanner cable connector from the scanner box connector.



- 7 Store the removed scanner cover-and-module assembly in a safe place until you return it to STC for repair.
- 8 Attach the scanner cable connector to the scanner box connector (on the new scanner cover-and-module assembly).
- 9 With the hole (on top of the scanner cover) facing the center of the track, replace the scanner cover-and-module assembly onto its mount.
- 10 Using a T-handle 1/4-inch hex-wrench, tighten the two screws (on the scanner cover) until they are completely tight.
- 11 Turn on power to the SmartScanNG² enclosure.

Appendix E

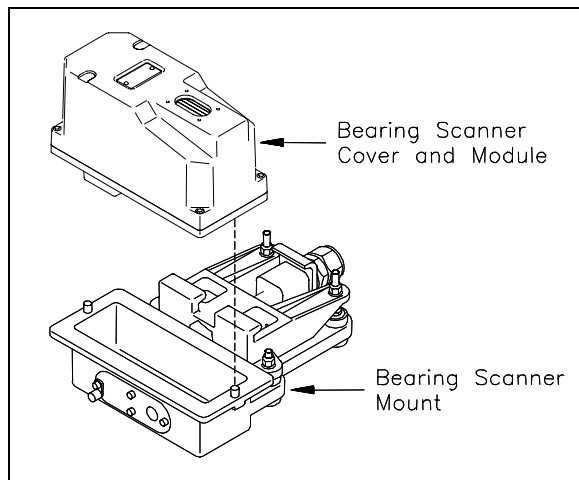
Replacement of Type3 Scanners

There are bearing scanners and wheel scanners. Both contain two major parts. The top part is the cover-and-module assembly. The module and its protective cover are tightly integrated and rarely should be taken apart. Except for the change of **filter frames** in the wheel scanner module, both types of cover-and-module assemblies are identical and can be used interchangeably. The bottom part is the mount. Bearing scanner mounts and wheel scanner mounts are different in design. They can't be interchanged.

This appendix tells how to replace scanner cover-and-module assemblies. The replacement of scanner mounts isn't covered in this guide.

E.1 Bearing Scanners

The figure below shows the major parts of a bearing scanner.



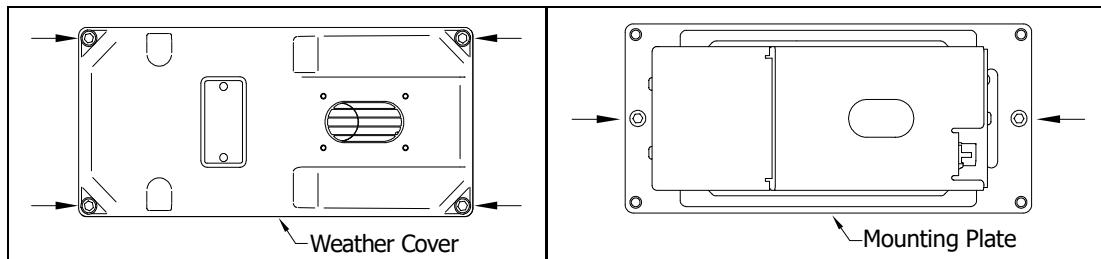
To replace a bearing scanner cover-and-module assembly:

- 1 Be sure that you have on hand a new scanner cover-and-module assembly.
- 2 Be sure that you have on hand a T-handle 1/4-inch hex-wrench.
- 3 Turn off all power to the scanners.

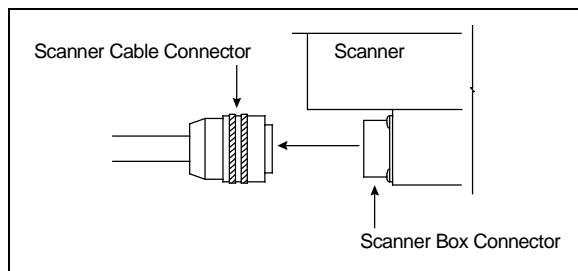
This requires turning off the DC power switch on the SmartScanNG² enclosure and unplugging the AC power cord on the bottom of the SmartScanNG² enclosure.

- Using a T-handle 1/4-inch hex wrench, loosen the six socket-head-cap screws on the cover of the bearing scanner.

Four screws attach the weather cover to the mounting plate, and two screws attach the mounting plate to the mount.

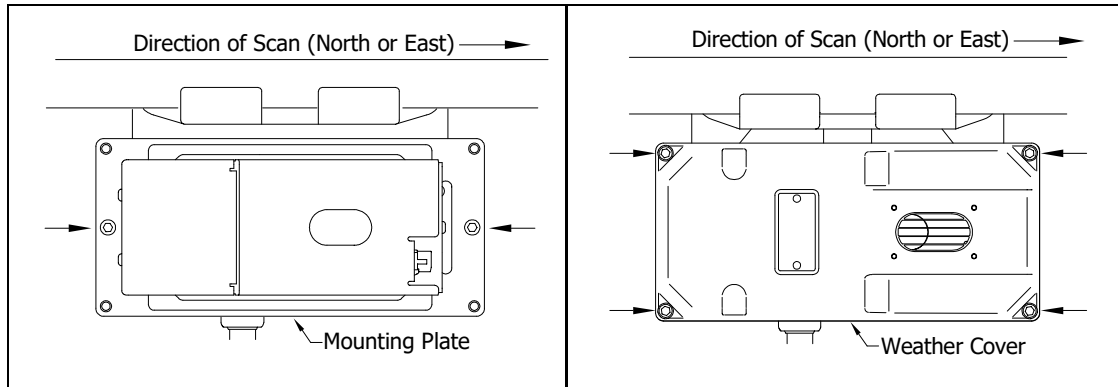


- Separate the bearing scanner cover-and-module assembly from its mount.
- Disconnect the heater wiring plug.
- Disconnect the scanner cable connector from the scanner box connector.



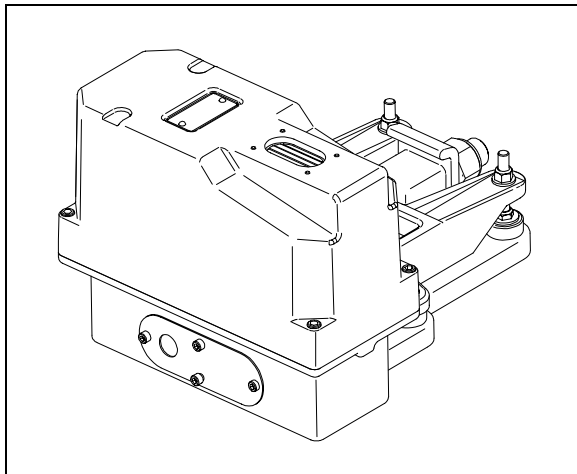
- Store the removed scanner cover-and-module assembly in a safe place until you return it to STC for repair.
- Attach the scanner cable connector to the scanner box connector of the new scanner cover-and-module assembly.
- With the hole on top of the bearing scanner cover facing north or east, set the mounting plate back onto its scanner mount.
- Using the T-handle 1/4-inch hex-wrench, uniformly tighten the two socket-head-cap screws.
- Reconnect the heater wiring plug.
- With the hole on top of the bearing scanner cover facing north or east, set the weather cover back onto its mounting plate.
- Using the T-handle 1/4-inch hex-wrench, uniformly tighten the four socket-head-cap screws.

The top view of the bearing scanner mounting plate and weather cover is shown below.



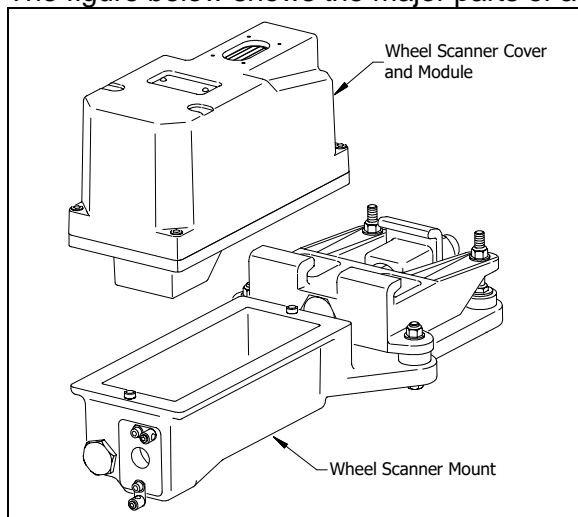
15 Turn on power to the scanners.

An assembled bearing scanner looks like this.



E.2 Wheel Scanners

The figure below shows the major parts of a wheel scanner.



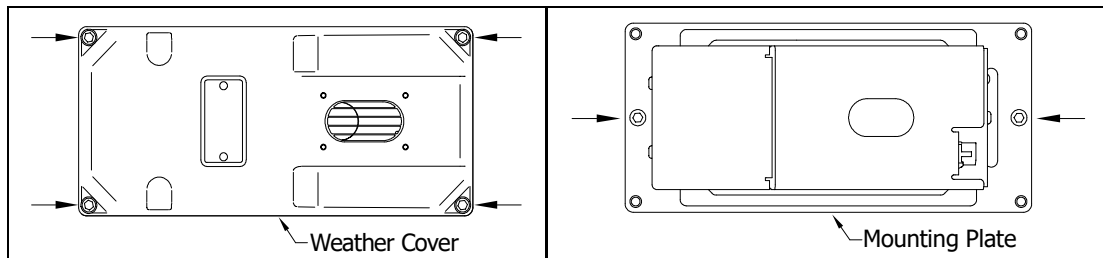
To replace a wheel scanner cover-and-module assembly:

- 1 Be sure that you have on hand a new scanner cover-and-module assembly.
- 2 Be sure that you have on hand a T-handle 1/4-inch hex-wrench.
- 3 Turn off all power to the scanners.

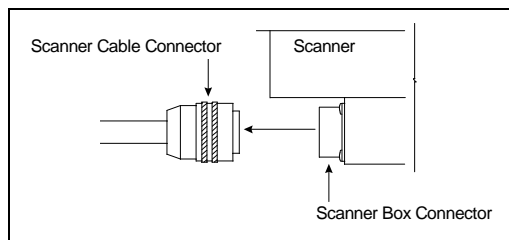
This requires turning off the DC power switch on the SmartScanNG² enclosure and unplugging the AC power cord on the bottom of the SmartScanNG² enclosure.

- 4 Using a T-handle 1/4-inch hex wrench, loosen the six socket-head-cap screws on the cover of the wheel scanner.

Four screws attach the weather cover to the mounting plate, and two screws attach the mounting plate to the mount.



- 5 Separate the wheel scanner cover-and-module assembly from its mount.
- 6 Disconnect the heater wiring plug.
- 7 Disconnect the scanner cable connector from the scanner box connector.



- 8 Store the removed scanner cover-and-module assembly in a safe place until you return it to STC for repair.
- 9 Attach the scanner cable connector to the scanner box connector of the new scanner cover-and-module assembly.
- 10 With the hole on top of the wheel scanner cover facing the center of the track, set the mounting plate back onto its scanner mount.
- 11 Using the T-handle 1/4-inch hex-wrench, uniformly tighten the two socket-head-cap screws.
- 12 Reconnect the heater wiring plug.
- 13 With the hole on top of the wheel scanner cover facing the center of the track, set the weather cover back onto its mounting plate.
- 14 Using the T-handle 1/4-inch hex-wrench, uniformly tighten the four socket-head-cap screws.
- 15 Turn on power to the scanners.

Appendix F

Calibration of Type2 Scanners

The SmartScanNG² system self-calibrates its pyrometer interface circuitry. You need only put a preheated calibrated heat source on a scanner and place the system in autocalibration mode. The system then scans all pyrometer inputs until the signal from the calibrated heat source is located. The necessary adjustments to the related interface circuitry are automatically made while the system monitors its own progress by analyzing changes in the heat signals. Once the procedure has been completed, autocalibration mode is disengaged, and the calibration results are displayed on your computer.

This appendix tells how to use the calibrated heat source to calibrate the scanners.

F.1 Bearing Scanners

STC recommends that you use the calibrated heat source (2100-810NG) only when the outside (ambient) temperature is above 0°F (-18°C) and below 90°F (32°C). If you must use it at other times, do so only when the needle is centered on the front of the temperature meter. If the needle isn't stabilized within ± 2 degrees of set point, the heat source isn't operating properly.

To calibrate a type2/type3 bearing scanner:

- 1 Be sure that you have on hand an STC calibrated heat source (2100-810NG) and a laptop computer.
- 2 On the control panel of the calibrated heat source, toggle the **Gating** switch off.
- 3 Plug the proper end of the supplied 50-foot (15.2-meter) power cord into the **six**-contact circular connector on the front of the calibrated heat source.
- 4 Plug the other end of the power cord into a grounded three-wire 110-120 VAC outlet in the wayside enclosure.

The function connector that is not being used has live AC present.

- 5 Cover the function connector that is not being used with the supplied dust cover.
- 6 On the control panel, turn the temperature knob to **180**.
- 7 Put the heat source in a shady area, out of direct sunlight.
- 8 Wait about 8 minutes for the heat source to reach operating temperature and stabilize.

The heat source has reached operating temperature and stabilized when the temperature meter needle remains centered.

Once the temperature stabilizes, calibration may begin. Once stabilized, the temperature will change less than plus-or-minus one degree Fahrenheit.

- 9 With the power cord to the front of the scanner, place the calibrated heat source on the scanner.
- 10 Be sure that a computer is plugged into COM1 (on the side of the Controller module), that it is turned on, that it has appropriate communications software installed, that the communications software is set to use full-duplex, that the baud rate is set to 115,200, and that a LOG file is opened.
- 11 Using the serial interface, display the Main Menu.

Section 4.0 - Serial Interface tells how to display the Main Menu. The Main Menu looks like this.

```

SmartSCAN NG2
01/18/2021 13:13:28 EST
Main Menu - Comm
-----
                .
                .
                .
[J] - Event log
[K] - System Functions Menu
[L] - Replay train
[M] - Security Menu
[X] - Exit

```

- 12 Select the System Functions menu.

The System Functions menu appears. The Auto-Calibration option is used to calibrate the system's pyrometer interface circuitry.

```

                .
                .
                .
[E] - 1KHz Test Tone
[F] - Auto-Calibration
[G] - Reboot System
[H] - Delete All Stored Train Data
[I] - Clear Event Log
[K] - Update Menu
[L] - Maintenance Menu
[M] - Volume up (3)
[N] - Volume down (3)
[O] - Web security settings
[X] - Exit

```

13 Select Auto-Calibration to initiate process.

The SmartScanNG² system will now calibrate itself. Follow along on your interface screen until you see "Auto-Calibration Disengaged." This message is an indication that the system is done with the calibration procedure. To abort the process, press **[Esc]** (on your computer) or remove the heat source (from the scanner).

14 When "Auto-Calibration Disengaged" is displayed on your computer, remove the calibrated heat source.

15 To return to the Main Menu, type **X**

16 To exit the serial interface and return the system to normal operation, type **X**

17 Store the calibrated heat source and its cable in the wayside enclosure.

NOTE:

Upon completion of autocalibration, the system acquires the scanner resistor temperature baseline values. The process begins with a 20 minute wait period in which the resistors are allowed to cool down. The system counts down during this period, sounding a tone each minute. After the 20-minute cooldown period, the system opens and closes the shutters for a period of 8 minutes.

Covering the apertures of all four scanners during the baseline acquisition routine should result in a more accurate baseline measurement because the reference for the scanner is stable when covered. See **Appendix K** for a detailed explanation and instructions.

F.2 Wheel Scanners

STC recommends that you use the calibrated heat source (2100-810NG) only when the outside (ambient) temperature is above 0°F (-18°C) and below 90°F (32°C). If you must use it at other times, do so only when the needle is centered on the front of the temperature meter. If the needle isn't stabilized within ± 2 degrees of set point, the heat source isn't operating properly.

To calibrate the type2 wheel scanners:

- 1 Be sure that you have on hand an STC calibrated heat source (2100-810NG) and a laptop computer.
- 2 On the control panel of the calibrated heat source, toggle the **Gating** switch off.
- 3 Plug the proper end of the supplied 50-foot (15.2-meter) power cord into the **six**-contact circular connector on the front of the calibrated heat source.
- 4 Plug the other end of the power cord into a grounded three-wire 110-120 VAC outlet in the wayside enclosure.

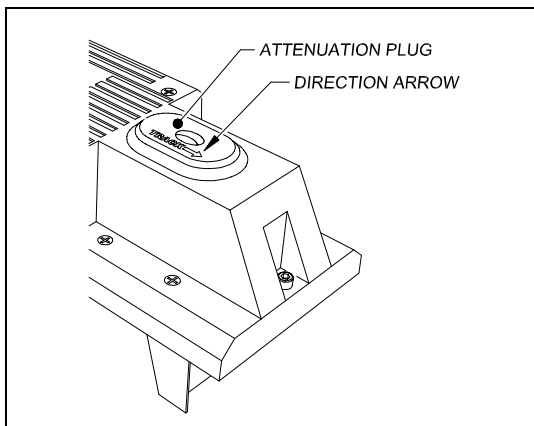
The function connector that is not being used has live AC present.

- 5 Cover the function connector that is not being used with the supplied dust cover.
- 6 On the control panel, turn the temperature knob to **180**.
- 7 Put the heat source in a shady area, out of direct sunlight.
- 8 Wait about 8 minutes for the heat source to reach operating temperature and stabilize.

The heat source has reached operating temperature and stabilized when the temperature meter needle remains centered.

Once the temperature stabilizes, calibration may begin. Once stabilized, the temperature will change less than plus-or-minus one degree Fahrenheit.

- 9 Remove the attenuation plug from the wheel scanner.



- 10 With the power cord to the front of the scanner, place the calibrated heat source on the scanner.

- 11 Be sure that a computer is plugged into COM1 (on the side of the Controller module), that it is turned on, that it has appropriate communications software installed, that the communications software is set to use full-duplex, that the baud rate is set to 115,200, and that a LOG file is opened.
- 12 Using the serial interface, display the Main Menu.

Section 4.0 - Serial Interface tells how to display the Main Menu. The Main Menu looks like this.

```
SmartSCAN NG2
01/18/2021 13:13:28 EST
Main Menu - Comm
-----
          .
          .
          .
[J] - Event log
[K] - System Functions Menu
[L] - Replay train
[M] - Security Menu
[X] - Exit
```

- 13 Select the System Functions menu.

The System Functions menu appears. The Auto-Calibration option is used to calibrate the system's pyrometer interface circuitry.

```
          .
          .
          .
[E] - 1KHz Test Tone
[F] - Auto-Calibration
[G] - Reboot System
[H] - Delete All Stored Train Data
[I] - Clear Event Log
[K] - Update Menu
[L] - Maintenance Menu
[M] - Volume up (3)
[N] - Volume down (3)
[O] - Web security settings
[X] - Exit
```

- 14 Select Auto-Calibration to initiate the process.

The SmartScanNG² system will now calibrate itself. Follow along on your interface screen until you see "Auto-Calibration Disengaged." This message is an indication that the system is done with the calibration procedure. To abort the process, press **[Esc]** (on your computer) or remove the heat source (from the scanner).

- 15 When "Auto-Calibration Disengaged" is displayed on your computer, remove the calibrated heat source.
- 16 To return to the Main Menu, type **X**
- 17 To exit the serial interface and return the system to normal operation, type **X**

18 Replace the attenuation plug.

The attenuation plug has a direction arrow molded into the top of the plug. This arrow should be pointing toward the rail.

19 Store the calibrated heat source and its cable in the wayside enclosure.

NOTE:

Upon completion of autocalibration, the system acquires the scanner resistor temperature baseline values. The process begins with a 20 minute wait period in which the resistors are allowed to cool down. The system counts down during this period, sounding a tone each minute. After the 20-minute cooldown period, the system opens and closes the shutters for a period of 8 minutes.

Covering the apertures of all four scanners during the baseline acquisition routine should result in a more accurate baseline measurement because the reference for the scanner is stable when covered. See **Appendix K** for a detailed explanation and instructions.

Appendix G

Calibration of Type3 Scanners

The SmartScanNG² system self-calibrates its pyrometer interface circuitry. You need only put a preheated calibrated heat source on a scanner and place the system in autocalibration mode. The system then scans all pyrometer inputs until the signal from the calibrated heat source is located. The necessary adjustments to the related interface circuitry are automatically made while the system monitors its own progress by analyzing changes in the heat signals. Once the procedure has been completed, autocalibration mode is disengaged and the calibration results are displayed on your computer.

This appendix tells how to use the calibrated heat source to calibrate the scanners.

G.1 Bearing Scanners

STC recommends that you use the calibrated heat source (2100-810NG) only when the outside (ambient) temperature is above -18°C (0°F) and below 32°C (90°F). If you must use it at other times, do so only when the needle is centered on the front of the temperature meter. If the needle isn't stabilized within ± 2 degrees of set point, the heat source isn't operating properly.

To calibrate a bearing scanner:

- 1 Be sure that you have on hand an STC calibrated heat source (2100-810NG) and a laptop computer.
- 2 On the control panel of the calibrated heat source, toggle the **Gating** switch off.
- 3 Plug the proper end of the supplied 50-foot (15-meter) power cord into the **six**-contact circular connector on the front of the calibrated heat source.

Sixty Hz is critical for proper operation. For a site that doesn't have a 120-volt 60-Hz power source, the heat source should be powered from a true sine wave inverter capable of 250 watts with an output of at least 110 volts at 60 Hz. The inverter should operate from an input voltage of 10.5 VDC to 15 VDC. A 120-volt USA socket should be provided to match the heat source power cord. The inverter should be grounded according to the manufacturer's recommendations.

WARNING

Once plugged in, both function connectors will have live AC present.

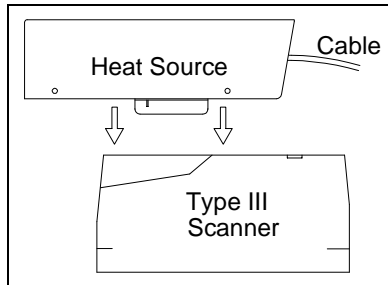
- 4 Using the supplied dust cap, cover the function connector that isn't being used.
- 5 Plug the other end of the power cord into the 120-volt USA socket.
- 6 On the control panel of the calibrated heat source, turn the temperature knob to **180°**.

- 7 Put the heat source in a shady area, out of direct sunlight and out of the wind.
- 8 Wait about 8 minutes for the heat source to reach operating temperature and stabilize.

The heat source has reached operating temperature and stabilized when the temperature meter needle remains centered.

Once the temperature stabilizes, calibration may begin. Once stabilized, the temperature will change less than plus-or-minus one-degree Fahrenheit.

- 9 With the power cord to the front of the scanner, place the calibrated heat source on the bearing scanner.



- 10 To prepare your computer:
 - a Plug your computer into COM1 **Error! Bookmark not defined.**using a crossover (null-modem) cable.
 - b Turn on your computer.
 - c Be sure that your computer has installed communications software, that it is set to use full-duplex, and that the baud rate is set to 115,200.
- 11 Using the serial interface, display the Main Menu.

The Main Menu looks like this.

```

SmartSCAN NG2
01/18/2021 13:13:28 EST
Main Menu - Comm
-----
                .
                .
                .
[J] - Event log
[K] - System Functions Menu
[L] - Replay train
[M] - Security Menu
[X] - Exit
  
```


12 Select **Auto-calibration** to calibrate the system's pyrometer interface circuitry.

The SmartScanNG² system will now calibrate itself. **Follow along on your computer screen until you see "Auto-Calibration Disengaged."** This message is an indication that the system is done with the calibration procedure. To abort the process, press **[Esc]** on your computer or remove the heat source from the bearing scanner.

```
      .  
      .  
      .  
[E] - 1KHz Test Tone  
[F] - Auto-Calibration  
[G] - Reboot System  
[H] - Delete All Stored Train Data  
[I] - Clear Event Log  
[K] - Update Menu  
[L] - Maintenance Menu  
[M] - Volume up (3)  
[N] - Volume down (3)  
[O] - Web security settings  
[X] - Exit
```

On your computer screen, an acceptable calibration looks like this. Your values will be different.

```

Auto Calibration Selected
Scanner Types
-----
Rail-1..... Type-II   Rail-2..... Type-III
Wheel-1..... Type-III  Wheel-2..... Type-II

Is this correct ?

Signal levels in millivolts with closed shutters
      Rail1           Rail2           Wheel1           Wheel2
Min/Max/Average  Min/Max/Average  Min/Max/Average  Min/Max/Average
0  80  20    0  60  20    0  60  20    20  80  40

Opening the shutters.
Scanning for heat source. Press the 'Esc' key to abort.
Located 187F heat source at Rail1. Auto-calibration beginning in 0 secs.

.....Auto-Calibration Engaged.....

Testing Digital-Pot U-306. Stand by.
Digital-pot checks OK.
Previous calibrated digital-pot. setting was 38.
Adjusting digital-pot.
Temp = 225F  Pot = 59  Sec = 1  Pot. decremented by 1 step.
Temp = 224F  Pot = 58  Sec = 1  Pot. decremented by 1 step.
Temp = 221F  Pot = 57  Sec = 2  Pot. decremented by 1 step.
Temp = 219F  Pot = 56  Sec = 3  Pot. decremented by 1 step.

      .
      .

Temp = 183F  Pot = 35  Sec = 15  Pot. decremented by 1 step.
Temp = 182F  Pot = 34  Sec = 18  Pot. decremented by 1 step.
Temp = 181F  Pot = 33  Sec = 29  Pot. decremented by 1 step.
Temp = 179F  Pot = 33  Sec = 93  Monitoring heat source temperature.
Rail1 digital-pot setting of 33 was stored in EEPROM.
East Rail Scanner Calibration complete.
The setpoint is 180F. The calibrated temp. is 179F.
Closing the shutters.
Resistor test pending.

.....Auto-Calibration Disengaged.....

```

Before the shutters are opened, if you get a signal level greater than 200 millivolts, it usually means that there is noise on the scanner inputs, which most times is caused by an electrical problem with the scanner. If you cannot isolate and fix the cause of this problem, call STC for help.

```

Auto Calibration Selected

Signal levels in millivolts with closed shutters
  Rail1          Rail2          Wheel1          Wheel2
Min/Max/Average Min/Max/Average Min/Max/Average Min/Max/Average
210 250 210      0 60 20      0 60 20      20 80 40
      .
      .
      .

```

Before the shutters are closed, if you don't get a calibrated temperature in the range 178°F to 182°F, it means that the scanner wasn't calibrated. If cleaning the optics doesn't solve your problem, replace the scanner cover-and-module assembly. If this doesn't solve your problem, call STC for help in fixing the problem.

- 13** When "Auto-Calibration Disengaged" is displayed on your computer, remove the calibrated heat source.
- 14** To return to the Main Menu, type **X**
- 15** To exit the serial interface and return the system to normal operation, type **X**
- 16** Store the calibrated heat source and its power cord in the wayside enclosure.

NOTE:

Upon completion of autocalibration, the system acquires the scanner resistor temperature baseline values. The process begins with a 20 minute wait period in which the resistors are allowed to cool down. The system counts down during this period, sounding a tone each minute. After the 20-minute cooldown period, the system opens and closes the shutters for a period of 8 minutes.

Covering the apertures of all four scanners during the baseline acquisition routine should result in a more accurate baseline measurement because the reference for the scanner is stable when covered. See **Appendix K** for a detailed explanation and instructions.

G.2 Wheel Scanners

STC recommends that you use the calibrated heat source (2100-810NG) only when the outside (ambient) temperature is above -18°C (0°F) and below 32°C (90°F). If you must use it at other times, do so only when the needle is centered on the front of the temperature meter. If the needle isn't stabilized within ± 2 degrees of set point, the heat source isn't operating properly.

To calibrate a wheel scanner:

- 1 Be sure that you have on hand an STC calibrated heat source (2100-810NG) and a laptop computer.
- 2 On the control panel of the calibrated heat source, toggle the **Gating** switch off.
- 3 Plug the proper end of the supplied 50-foot (15-meter) power cord into the **six**-contact circular connector on the front of the calibrated heat source.

Sixty Hz is critical for proper operation. For a site that doesn't have a 120-volt 60-Hz power source, the heat source should be powered from a true sine wave inverter capable of 250 watts with an output of at least 110 volts at 60 Hz. The inverter should operate from an input voltage of 10.5 VDC to 15 VDC. A 120-volt USA socket should be provided to match the heat source power cord. The inverter should be grounded according to the manufacturer's recommendations.

WARNING

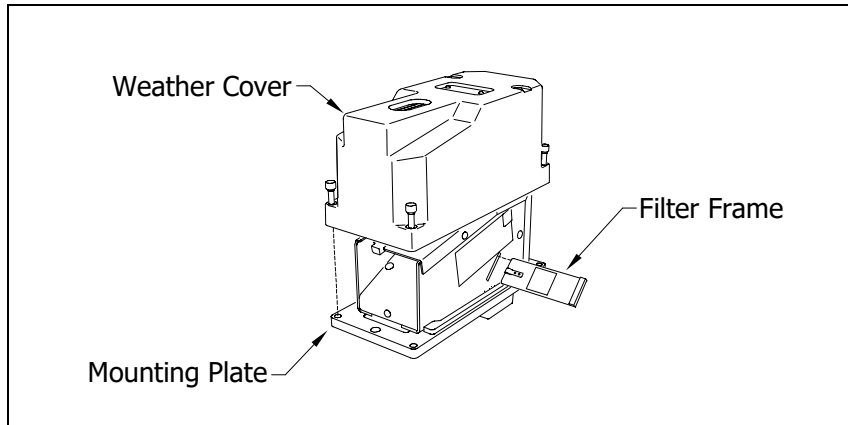
Once plugged in, both function connectors will have live AC present.

- 4 Using the supplied dust cap, cover the function connector that isn't being used.
- 5 Plug the other end of the power cord into the 120-volt USA socket.
- 6 On the control panel of the calibrated heat source, turn the temperature knob to **180** $^{\circ}$.
- 7 Put the heat source in a shady area, out of direct sunlight and out of the wind.
- 8 Wait about 8 minutes for the heat source to reach operating temperature and stabilize.

The heat source has reached operating temperature and stabilized when the temperature meter needle remains centered.

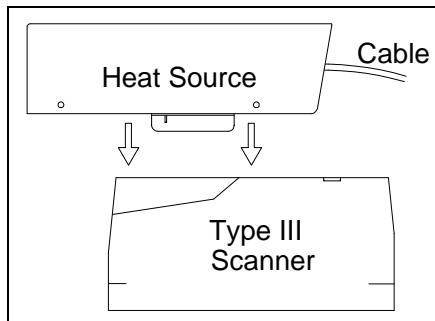
Once the temperature stabilizes, calibration may begin. Once stabilized, the temperature will change less than plus-or-minus one degree Fahrenheit.

- 9 Replace the red filter frame with the black one during calibration.



You'll need to remove the weather cover before you can replace the filter frame. Four socket head cap screws attach the weather cover to the mounting plate. Before continuing, be sure that the black filter frame is securely in place and that the four socket-head-cap screws on the weather cover are completely tight.

- 10 With the power cord to the front of the scanner, place the calibrated heat source on the wheel scanner.



- 11 To prepare your computer:

- a Plug your computer into COM1 **Error! Bookmark not defined.** using a crossover (null-modem) cable.
- b Turn on your computer.
- c Be sure that your computer has installed communications software, that it is set to use full-duplex, and that the baud rate is set to 115,200.

12 Using the serial interface, display the Main Menu.

The Main Menu looks like this.

```
SmartSCAN NG2
01/18/2021 13:13:28 EST
Main Menu - Comm
-----
                .
                .
                .
[J] - Event log
[K] - System Functions Menu
[L] - Replay train
[M] - Security Menu
[X] - Exit
```

13 Select the **Auto-Calibration option** to calibrate the system's pyrometer interface circuitry.

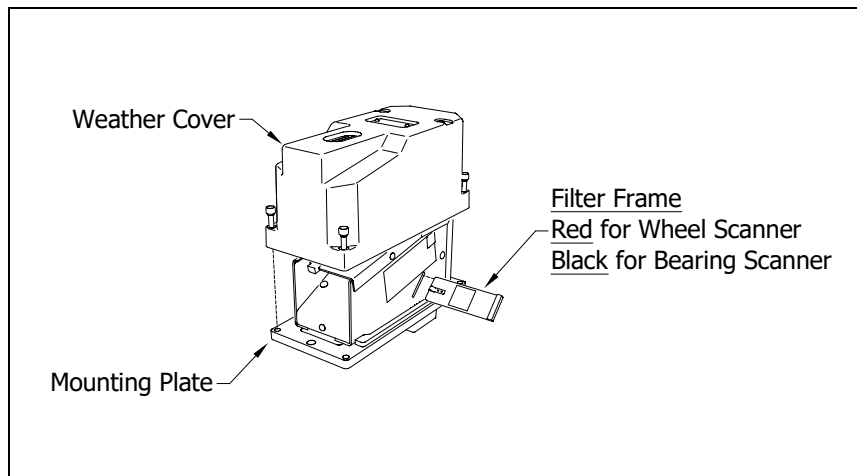
The SmartScanNG² system will now calibrate itself. **Follow along on your computer screen until you see "Auto-Calibration Disengaged."** This message is an indication that the system is done with the calibration procedure. To abort the process, press **[Esc]** on your computer or remove the heat source from the wheel scanner.

Before the shutters are opened, if you get a signal level greater than 200 millivolts, it usually means that there is noise on the scanner inputs, which most times is caused by an electrical problem with the scanner. If you cannot isolate and fix the cause of this problem, call STC for help.

```
                .
                .
                .
[E] - 1KHz Test Tone
[F] - Auto-Calibration
[G] - Reboot System
[H] - Delete All Stored Train Data
[I] - Clear Event Log
[K] - Update Menu
[L] - Maintenance Menu
[M] - Volume up (3)
[N] - Volume down (3)
[O] - Web security settings
[X] - Exit
```

Before the shutters are closed, if you don't get a calibrated temperature in the range 534°F to 546°F, it means that the scanner wasn't calibrated. If cleaning the optics doesn't solve your problem, replace the scanner cover-and-module assembly. If this doesn't solve your problem, call STC for help in fixing the problem.

- 14 When "Auto-Calibration Disengaged" is displayed on your computer, remove the calibrated heat source.
- 15 To return to the Main Menu, type **X**.
- 16 To exit the serial interface and return the system to normal operation, type **X**.
- 17 Replace the black filter frame with the red one immediately following the successful completion of the auto-calibration function.



**** Before continuing, be sure that the red filter frame is securely in place and that the four socket-head-cap screws on the weather cover are completely tight. ****

- 18 Store the calibrated heat source and its power cord in the wayside enclosure.

NOTE:

Upon completion of autocalibration, the system acquires the scanner resistor temperature baseline values. The process begins with a 20 minute wait period in which the resistors are allowed to cool down. The system counts down during this period, sounding a tone each minute. After the 20-minute cooldown period, the system opens and closes the shutters for a period of 8 minutes.

Covering the apertures of all four scanners during the baseline acquisition routine should result in a more accurate baseline measurement because the reference for the scanner is stable when covered. See **Appendix K** for a detailed explanation and instructions.

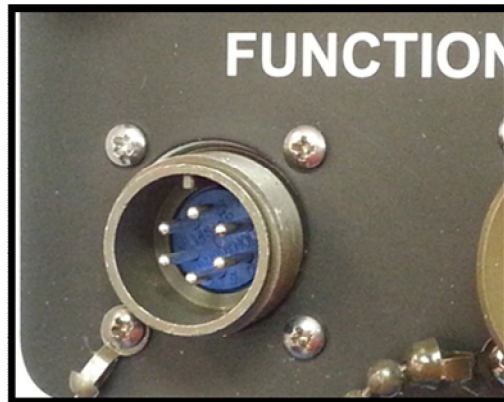
G.3 Heat Source: Power Cable Warning

Warning - Caution
PLEASE – ONLY USE THE POWER CORD THAT WAS SHIPPED WITH THIS HEAT SOURCE.
USE OF THE OLD CORD WITH PINS IN THE CONNECTOR WILL DAMAGE THIS HEAT SOURCE

A few years ago the power cord connector was found to be a shock hazard because the connector had pins that might be easy to touch if someone were not paying attention. If the power cord were plugged into AC that would be a startling experience! So the connectors on both the power cord and the heat source were changed. Because of that change, a new power cord was and is shipped with each new heat source.



Old style plug with pins.



New heat source with pins.

As you can see, even though the connectors will fit together, they won't work together. When the connectors are screwed together the two sets of pins touch and cause a reverse polarity situation which damages the heat source.

Appendix H

Lens Cleaning of Type3 Scanners

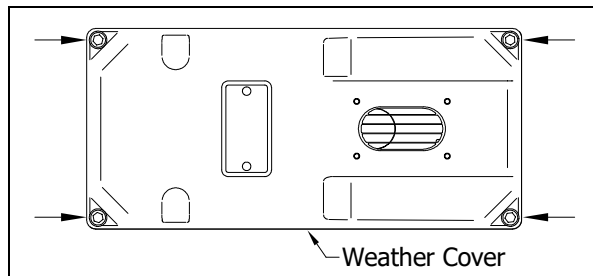
This appendix tells how to clean the optics in the scanners.

To clean the optics in the scanners:

- 1 Be sure that you have on hand a T-handle 1/4-inch hex-wrench.
- 2 Turn off all power to the scanners.

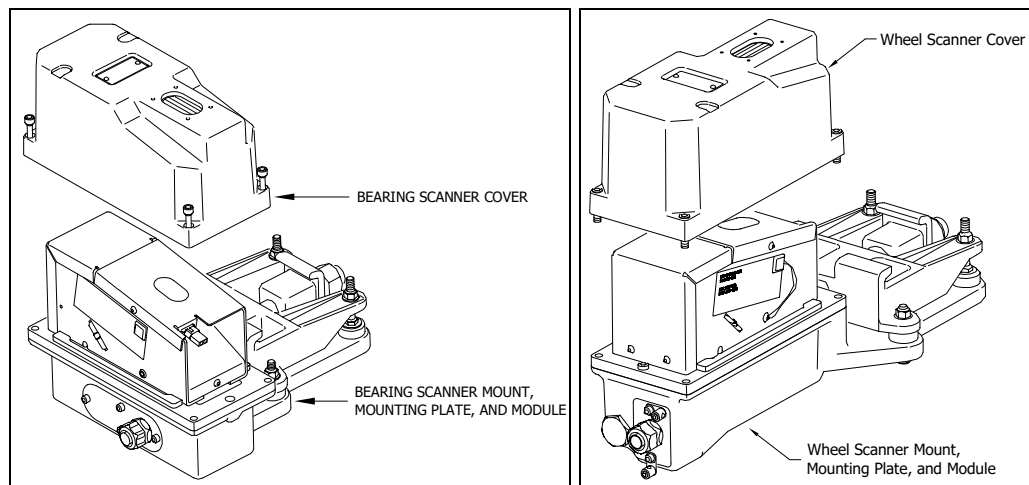
This requires turning off the DC power switch on the SmartScanNG² enclosure and unplugging the AC power cord on the bottom of the SmartScanNG² enclosure.

- 3 Using the T-handle 1/4-inch hex-wrench, loosen the four socket-head-cap screws that attach the weather cover to the mounting plate.



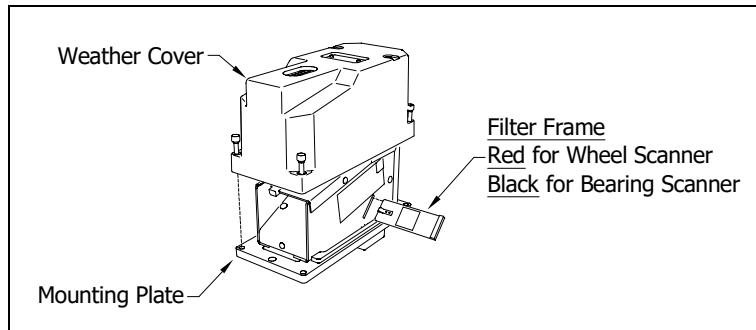
- 4 Remove the weather cover from its mounting plate.

Be careful not to damage the electrical connection for the cover heaters.



- 5 Disconnect the heater wiring plug.

On the side of the scanner module, you'll find a metal tab that protrudes about 1/4 inch outside the module.



- 6 Grasp the tab and pull the filter frame out of the scanner module.
- 7 Using the brush supplied with the tool kit, lightly dust any excess material from the filter frame glass.
Be careful not to abrade or scratch the surface of the lens.
- 8 Apply a small amount of Vallen V8L cleaning solution (included in the tool kit) directly to the glass filter to loosen any remaining contamination.
- 9 Gently polish the reflective glass surface of the filter to remove any remaining contamination.
Pay close attention to the area around the perimeter of the lens. It is important that the entire surface of the lens is clean.
- 10 Open the shutter by stroking one of the gating transducers with a piece of ferrous metal.
- 11 If the lens surface appears to have any dust on it, insert the brush from the tool kit through the baffle plates until it contacts the lens surface and apply a twisting motion to dislodge any accumulated dust.
- 12 Remove the brush and visually inspect the lens for cleanliness.
- 13 Reinstall the filter frame assembly properly - (The reflective surface will be facing the viewport opening of the scanner) Reconnect the heater wiring plug.
- 14 Re-connect the scanner cover heater.
- 15 If this is a **bearing scanner**:
With the hole on top of the bearing scanner cover facing north or east, set the weather cover back onto its mounting plate. Using the T-handle 1/4-inch hex-wrench, uniformly tighten the four socket-head-cap screws.
- 16 If this is a **wheel scanner**:
With the hole on top of the wheel scanner cover facing the center of the track, set the weather cover back onto its mounting plate. Using the T-handle 1/4-inch hex-wrench, uniformly tighten the four socket-head-cap screws.
- 17 Turn on power to the scanners.

Appendix I

Predictive Gate Scanning

This appendix describes predictive gate scanning of bearings.

I.1 Overview

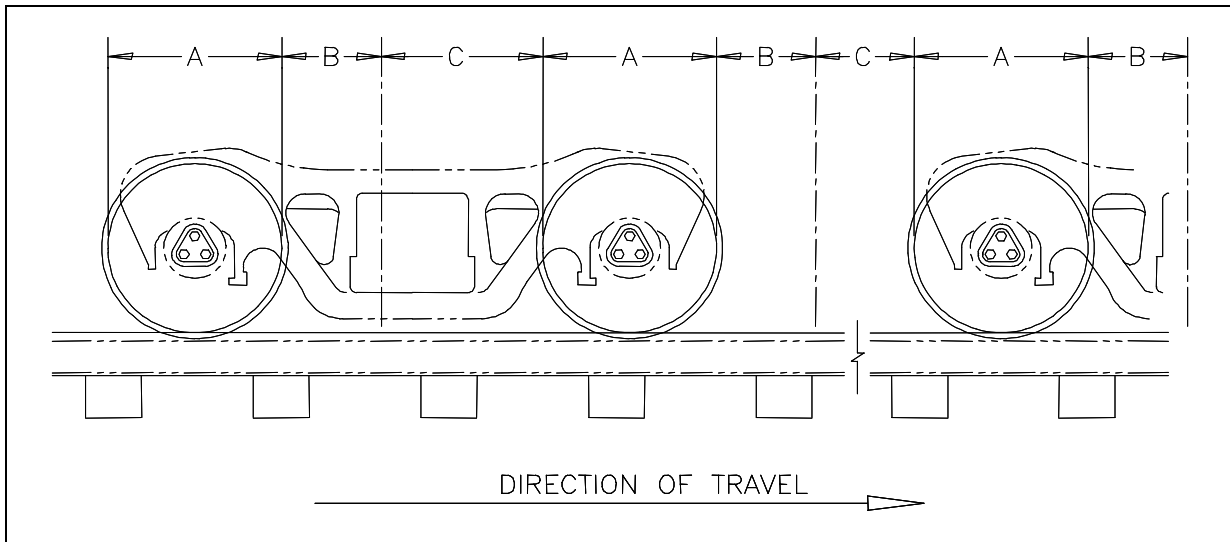
If a pyrometer is exposed to extreme infrared energy emission, the device itself can be driven into a saturated state. When this happens, it is blinded to subsequent changes in infrared energy emission. This blinded state can last up to 1-1/2 seconds.

Under certain circumstances, a pyrometer may be driven into saturation before the opening of the gate for a given axle. If the open-gate period was the only time during which pyrometer readings were sampled and processed, the system might miss an overheated bearing due to a device that was blinded before the opening of the gate. This can happen when a bearing is so overheated that it gives off infrared energy that can be seen by the pyrometer long before the bearing enters the pyrometer's field of view.

To compensate for this, the SmartScanNG² system includes special logic for processing heat seen by the pyrometers as they scan between the axle gates. The interval between axles has been divided into two parts.

The first part of this interval is the 16 inches (40.6 centimeters) that immediately precede the axle as it approaches the bearing scanners. This interval is treated as a "predictive gate" region in which the actual gate period (the time a bearing is physically in the pyrometer's field of view) is extended by 16 inches (40.6 centimeters). The remainder of the "between gate" interval forms the second part. Heat values read during this second interval are ignored.

The figure below depicts the three distinct scanning intervals (the in-gate period plus the two between-gate intervals).



The table below defines the intervals.

Interval	Description
A	The normal bearing scanning interval of about 24 inches (61 centimeters), depending on the transducer spacing.
B	A distance of about 16 inches (40.6 centimeters) before a given wheel.
C	The distance between wheels that doesn't fall within interval-B.

I.2 Scanning Process

Interval-A is the normal bearing scanning interval. Interval-B is an extension of interval-A. The greatest value read in either of these two intervals is recorded as the temperature for the axle. This value is checked for alarm levels in the same manner that scanned bearing temperatures are normally handled.

For interval-A: Heat values read during interval-A are processed normally.

For interval-B: Heat values read during interval-B that do not meet or exceed the Absolute alarm threshold are ignored. Values that meet or exceed the Absolute alarm threshold are handled as follows:

- If the interval-A heat value meets or exceeds the Absolute alarm threshold, it is processed normally and the interval-B heat reading is ignored.
- If the interval-A heat value does not meet or exceed the Absolute alarm threshold, but interval-B heat value does, a Pyrometer Saturation alarm is flagged and the interval-B heat value is stored and reported for the alarmed axle.

For interval-C: Heat values read during interval-C are ignored.

The Very Slow Train alarm indicates that, at some point during train passage, four consecutive axles crossed the gating transducers at a speed of 7 mph (11.3 kph) or less. The firmware doesn't check for Pyrometer Saturation alarms if the train has been flagged with a Very Slow Train alarm.

I.3 Reporting the Pyrometer Saturation Alarm

If a Pyrometer Saturation alarm is detected and assigned to an axle, a printed message will appear on Detail reports.

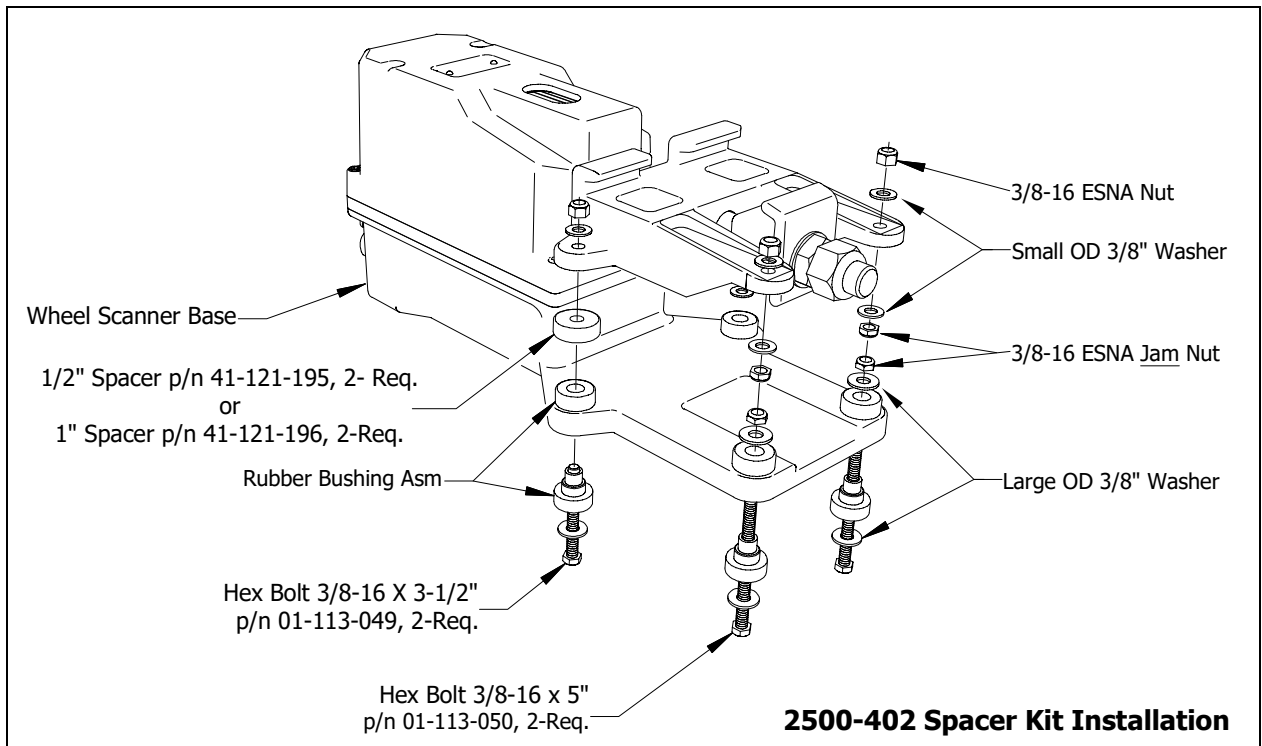
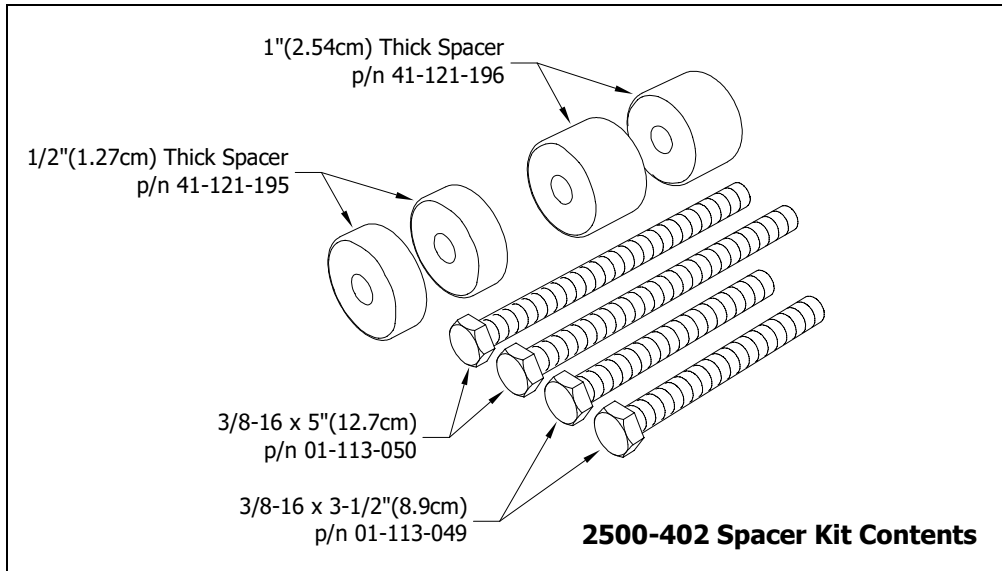
The figure below shows part of a Train Detail report with a Pyrometer Saturation alarm. The contents of your report will be different.

Southern Technologies Corporation										
Next Generation Detector System										
TRAIN DETAIL										
=====										
•										
•										
•										
Car	Axle	Rail		Wheel		ON	OFF	PW1	PW2	Alarms
		East	West	East	West					
1	1	58	30	98	102	35	0	16	17	
	2	58	30	98	102	35	82	13	13	
	3	219	30	98	102	35	85	13	13	East Rail Pyro Saturation Alarm
	4	58	30	98	102	35	839	13	13	
	5	58	30	98	102	35	85	13	13	
	6	58	30	98	102	35	85	13	13	
2	7	58	30	98	102	35	238	13	13	
	8	58	30	98	102	34	85	13	13	
•										
•										
•										

Appendix J

2500-402 Spacer Kit Installation

The 2500-402 Spacer Kit provides hardware necessary to lower the Type III Hotwheel Scanner assembly by either 1/2" or 1" for those applications that require additional rail clearance.



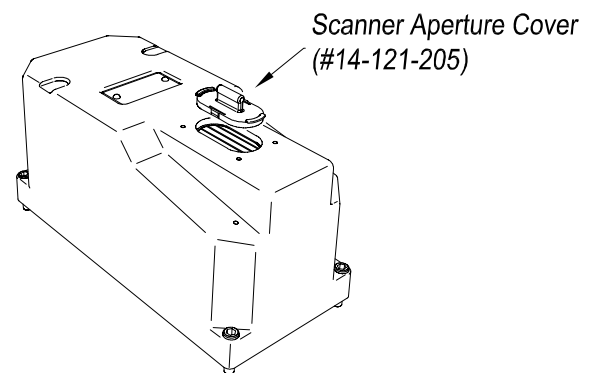
Appendix K

Scanner Resistor Baseline Acquisition

Upon completion of autocalibration, the system will acquire the scanner resistor temperature baseline values. The process begins with a 20-minute wait period in which the resistors are allowed to cool down. The system counts down during this period, sounding a tone each minute. After the 20-minute cooldown period, the system opens and closes the shutters for a period of 8 minutes.

NOTE: For wheel scanners, it is imperative that the red filter frame is replaced immediately after autocalibration has disengaged and before resistor baseline acquisition begins.

The reason for establishing the baseline tables at the end of the Auto-Cal cycle is the assumption that the system is then at its peak operating efficiency. The system is freshly calibrated and the lenses are clean. With the baselines established, the system can then recognize and compensate for slight degradations of the lens caused by moisture or dirt accumulation on the lens surface.



K.1 Cover the Scanners

Covering the openings of all four scanners during the baseline establishment routine should result in a more accurate baseline measurement because the reference for the scanner is stable when covered. If you initiate a baseline measurement on a partly sunny day or partly cloudy night, the odds are that for one part of the test you will see clear sky, and for another part of the test you may well be looking at a cloud. Clouds are warmer than clear sky. When clear sky is the reference for the scanner, the recorded heat values tend to be higher than when the scanner references off of a cloud. STC has observed as much as 40 degrees difference. This condition can result in an unusable baseline. If you block the scanner's view of the sky completely, you wind up with a very stable reference and a resulting stable baseline.

Depicted above, the Scanner Aperture Cover (#14-121-205) is designed specifically to use for the baseline resistor test. If these covers are unavailable, a piece of corrugated cardboard or a small piece of 1/4 inch plywood about 6 inches square placed over the scanner openings does a pretty good job of providing a stable reference and it will simply blow away if a train slips up on you. A 6 inch 2x4 block laid on the opening will work on windy days, and will probably vibrate off if a train catches you. This is a helpful hint for improving the performance of the baseline acquisition process, not a requirement.

WARNING: Extreme caution must be taken to avoid a situation where field personnel are trying to quickly clear 4 scanners in front of a train.

K.2 Bungalow Speaker Announcements

During the resistor-cooling period, the system announces through the speaker the following. These announcements aren't broadcast over the radio.

- A beep sounds once per minute until two minutes before the resistor test.
- At two minutes until the test, "Scanner resistor test beginning in 2 minutes" is voiced.
- At one minute until the test, "Scanner resistor test beginning in 1 minute" is voiced.

After the resistor cooling period:

- As the test begins, "Testing" is voiced. During this time, the word PENDING appears in the status column of the Resistor Data section.
- If the test was successful, "System working" is voiced. The word VALID appears in the status column of the Resistor Data section, signifying that the baseline test applies to each passing train.
- If the test wasn't successful, "Scanner resistor test beginning in two-zero minutes" is voiced, meaning that the system will try once more after 20 minutes to acquire an accurate resistor heat profile. During this time, the word PENDING appears in the status column of the Resistor Data section of the System Status Report. If the test fails a second time, the word INVALID appears in the same column. The system applies the interim integrity test to each passing train while either PENDING or INVALID appears.

K.3 Processing Resistor Baseline Results

Here are two rules the system uses:

- If any of the temperatures in the baseline table are less than or equal to 40°F, we consider the baseline to be invalid.
- The next sequential temperature has to increase or be no less than 6°F cooler than the last temperature. That is, if a temperature is 100°F, for example, the next temperature has to be greater than 100, equal to 100, but not less than 94.

If the system gets an invalid baseline, it will automatically try a second time. If it gets interrupted it will also try a second time. The 300° F temperatures that show up in the baselines occasionally are more a reflection of the duty cycle controller for the shutter resistor. Some controllers cause the shutter resistors to heat up more quickly and sometimes overshoot the desired set point, whereas a controller that is operating at its optimum efficiency will ramp up to a value slightly below 300° F. Temperatures above 300° F do not result in an invalid baseline.

Look at the Resistor Data section of the System Status Report. INVALID indicates that the system has tried twice and could not acquire valid resistor data. If any of the baseline results for a scanner show INVALID, the only way to capture a new baseline is to run the Auto Cal process again. If the word PENDING appears in the status column, the system is waiting for the resistors to cool before acquiring resistor data or for the battery to charge to 13 volts. INVALID indicates that the system has tried twice and could not acquire valid resistor data. In

either case, the system will apply the interim integrity test to passing trains, which doesn't require resistor baseline data.

Examples: Resistor Baseline Results

Resistor Data																		
VOLTS	AMB	DATE	TIME	STATUS	30	40	50	60	70	80	90	100	110	120	130			
140	160	180	200	220	240	260	280	300	320	340	360	380	400	420	440	460	480	
RAIL 1																		
15.3	-008	01/11/12	12:53	INVALID	300	300	300	300	300	300	300	300	300	300	300	300	300	
					300	300	300	300	300	300	300	300	300	300	300	300	300	
RAIL 2																		
15.3	-008	01/11/12	12:53	INVALID	300	300	300	300	300	300	300	300	300	300	300	300	300	
					300	300	300	300	300	300	300	300	300	300	300	300	300	
WHEEL 1																		
15.3	-009	01/11/12	12:26	VALID	155	152	155	152	150	150	149	149	148	147	147			
					148	149	150	149	150	151	150	151	151	151	151	150	151	152
WHEEL 2																		
15.3	-009	01/11/12	12:26	VALID	160	156	157	162	157	157	155	155	156	155	156			
					154	156	157	158	157	158	157	158	158	160	160	158	158	158

Resistor Data																		
VOLTS	AMB	DATE	TIME	STATUS	30	40	50	60	70	80	90	100	110	120	130			
140	160	180	200	220	240	260	280	300	320	340	360	380	400	420	440	460	480	
RAIL 1																		
13.4	057	09/30/11	11:59	INVALID	285	285	289	294	289	288	289	288	287	287	288			
					287	289	290	290	272	270	277	294	297	297	297	298	300	300
RAIL 2																		
13.4	055	09/30/11	10:50	VALID	272	271	274	280	277	275	270	264	262	264	271			
					277	278	282	284	285	287	283	280	272	271	270	269	268	269
WHEEL 1																		
13.4	055	09/30/11	10:50	VALID	145	148	154	155	156	157	156	156	157	160	158			
					160	160	162	161	164	162	164	168	163	158	163	160	167	168
WHEEL 2																		
13.4	055	09/30/11	10:50	VALID	128	132	137	137	138	137	141	138	138	141	140			
					141	142	142	144	144	145	148	147	147	148	147	148	149	150

Resistor Data																		
VOLTS	AMB	DATE	TIME	STATUS	30	40	50	60	70	80	90	100	110	120	130			
140	160	180	200	220	240	260	280	300	320	340	360	380	400	420	440	460	480	
RAIL 1																		
13.5	061	05/25/11	15:25	VALID	242	251	258	263	264	265	267	268	268	270	271			
					272	275	277	278	280	281	283	284	284	284	285	287	287	288
RAIL 2																		
13.5	061	05/25/11	15:25	VALID	262	268	274	282	282	282	282	283	284	285	285			
					288	289	291	294	296	297	297	298	300	300	300	300	300	300
WHEEL 1																		
13.7	063	06/27/11	14:09	INVALID	112	116	117	117	116	116	114	114	112	112	111			
					110	112	111	112	114	110	104	100	96	94	85	87	76	69
WHEEL 2																		
13.7	063	06/27/11	14:09	INVALID	135	2	2	2	2	2	148	2	2	2	2			
					2	2	2	2	2	2	2	2	2	2	2	2	2	2

Appendix L

2500-536 Red Filter Frame - New Design

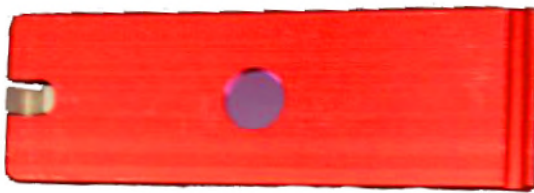
The STC hot wheel scanner application utilizes the specialized red filter frame. The “old style” red filter frames (manufactured prior to 2012) can be identified by their round openings. A design flaw in this version can result in the reporting of overinflated heat values.

The new revision of the red filter frame (manufactured in 2012 and after) has a slotted aperture. This new design has proven to provide much greater accuracy, thus reducing the possibility of errant temperature readings.

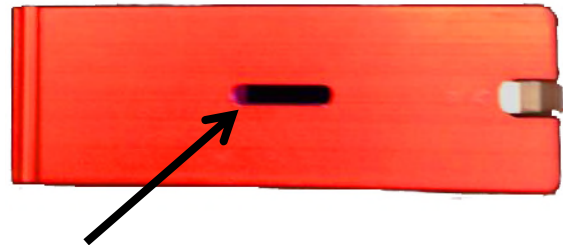
Replacement of any “old-style” red filter frames should be considered a high priority. Upgrade as soon as possible to reduce the possibility of generating a false hot wheel alarm which could result in unnecessary train stops and crew inspections.

Identification:

Old Red Filter Frame – **DO NOT USE!**



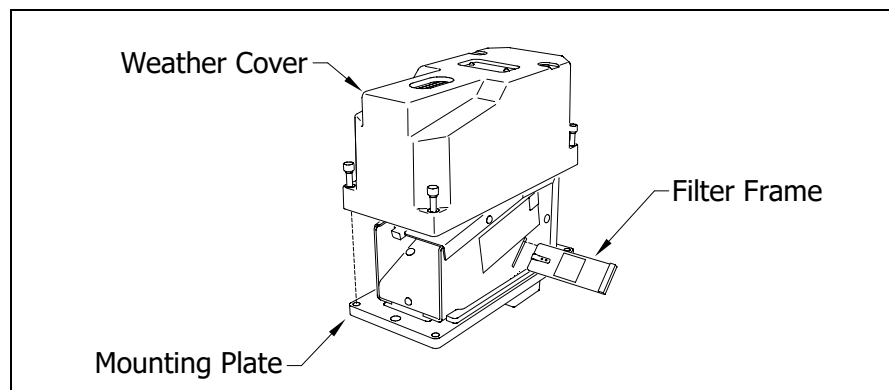
New Red Filter Frame



Slotted Aperture

Installation:

- Recalibrate the wheel scanner (see **Appendix G** for procedural instructions).
- Replace the old red filter frame with the new red filter frame.
- Return old red filter frames to STC for salvage.



Appendix M Communications Ports

NOTE: The factory default setting for serial ports COM1-COM6 is 19,200 baud. The default setting for the RS485 port is 9,600 baud.

COM1 – To use the serial interface, connect a local computer (DTE) using a null-modem cable and set the communications software to use full-duplex.
This is the standard local access port.

COM2, COM4, & COM6 - Currently unused.

COM3 – Used to communicate with the Velocity Modem board's instruction set and database. COM3 is connected to Port 2 on the Velocity Modem board.

COM5 – At systems with AEI, attach a null-modem cable from the AEI (DTE) Interface Module to COM5 (DTE) of the Controller module.

RS485 – Used to communicate with auxiliary equipment such as wind monitor.

ETHERNET – To establish an Ethernet connection, you need a network interface card (NIC) in your computer and a Category 5 (CAT5) 8-wire network cable for basic 10/100 functionality.

DCE (Data Circuit-Terminating Equipment) Modem				Connecting Cable	DTE (Data Terminal Equipment) Computer			Connecting Cable	DTE (Data Terminal Equipment) Computer		
Pins on the Modem		Name and Abbreviation		Inside the Straight-Through Connecting Cable	Abbr.	Pins on the Computer		*Inside the Null-Modem Connecting Cable	Abbr	Pins on the Computer	
Female DB25	DB9					Male DB25	DB9			Male DB25	DB9
1	-	Frame Ground (Chassis)	FG	————	FG	1	-	————	FG	1	-
2	3	Transmitted Data (TD)	TxD	←————	TxD	2	3	↔	TxD	2	3
3	2	Received Data (RD)	RxD	————→	RxD	3	2	↔	RxD	3	2
4	7	Request to Send	RTS	←————	RTS	4	7	↔	RTS	4	7
5	8	Clear to Send	CTS	————→	CTS	5	8	↔	CTS	5	8
6	6	Data Set Ready	DSR	————→	DSR	6	6	↔	DSR	6	6
7	5	Signal Ground	SG	————	SG	7	5	····	SG	7	5
8	1	Data Carrier Detect	DCD or CD	————→	DCD or CD	8	1	····	DCD or CD	8	1
20	4	Data Terminal Ready	DTR	←————	DTR	20	4	↔	DTR	20	4
22	9	Ring Indicator	RI	————	RI	22	9	————	RI	22	9

Appendix N

15A Breaker Upgrade in SmartScanNG Chassis (Pre-2012)

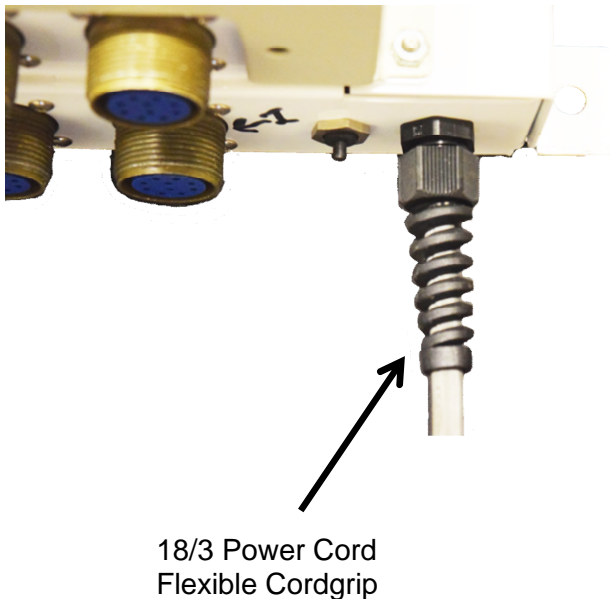
This appendix applies only to those SmartScanNG systems (manufactured prior to 2012) that are to be upgraded with a SmartScanNG² Controller Module.

Current model Type-3 scanners have higher wattage heaters than those previously used. The pre-2012 controller chassis was originally equipped with a 10A breaker which may trip while connected to four Type-3 scanners.

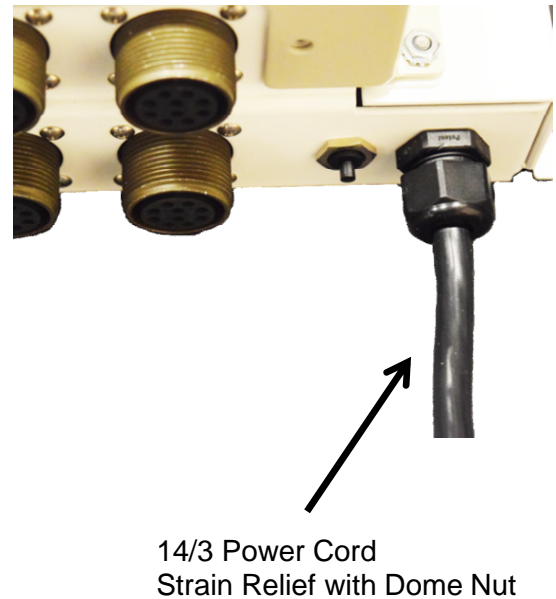
STC recommends returning any pre-2012 chassis for retrofit **if four Type-3 scanners** are to be used. This upgrade kit (2300-500E) includes a 14 AWG power cord, a 15A breaker, and associated wiring.

The pre-2012 controller chassis can be easily identified in the field by the AC power cord. All controller chassis manufactured before 2012 were equipped with a grey 18 AWG 3 conductor power cord with a flexible cordgrip. Post-2012 controller chassis have a black 14/3 power cord and a strain relief with dome nut.

Pre-2012 Controller Chassis



Post-2012 Controller Chassis

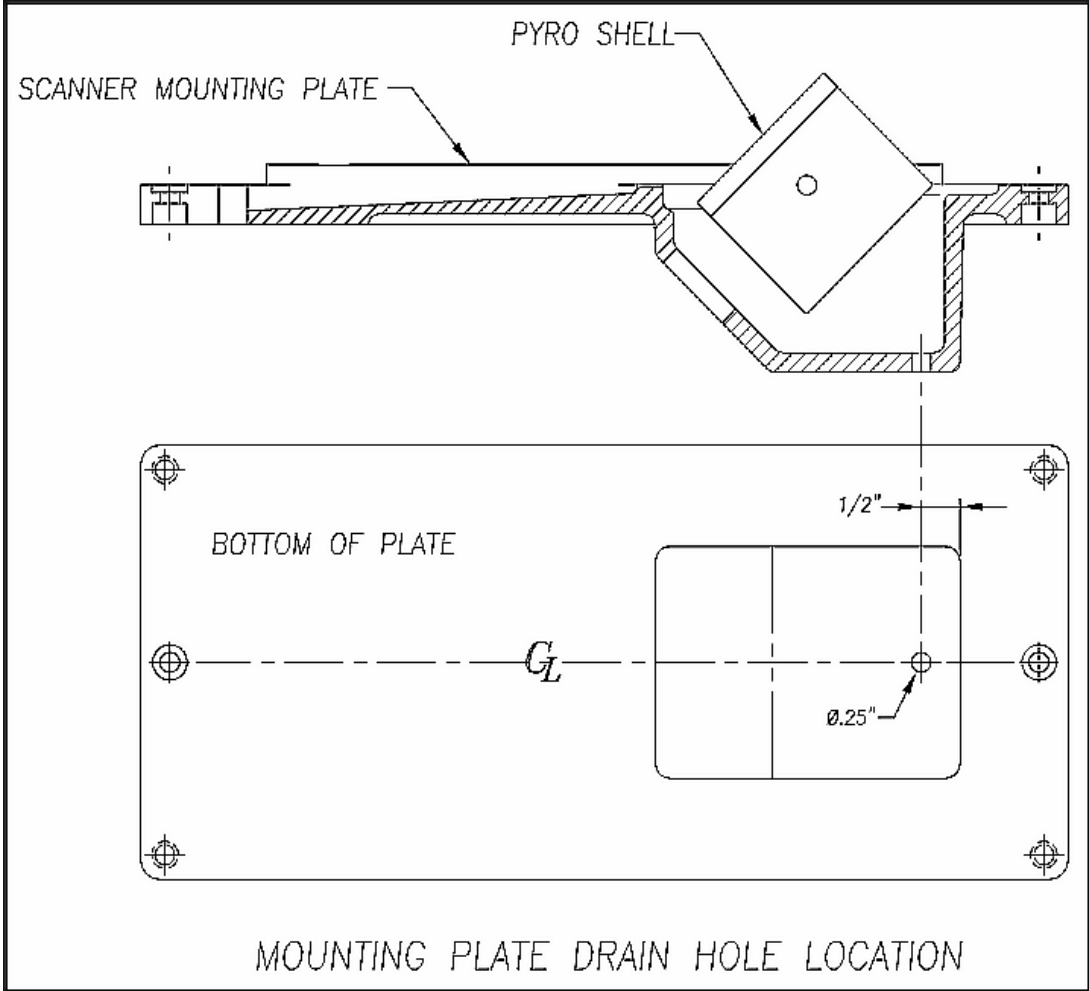


Appendix O

Scanner Base Drain Hole

For scanners manufactured prior to 2013:

Where required due to water accumulation, a 0.25" drain hole can be drilled in the bottom of the scanner base.



Index

This section lists the page numbers for keywords and phrases used in this guide.

1

19,200 baud · 247
1KHz test tone · 72

A

Absolute alarm · 15, 236
Absolute option · 15, 106, 113, 121, 128, 146, 190
AEI Diagnostic Detail report · 83, 103, 143, 150, 151
AEI option · 49, 58, 105, 107, 108, 109, 115, 120, 122, 123, 124, 130, 133, 140, 143, 148, 162
AEI Reader Parameters · 61, 62, 140
AEI tags · 107, 115, 122, 130, 148
alarm
 Absolute · 15, 37, 236
 Carside Slope · 12, 15, 39, 40, 46, 106, 108, 109, 114, 121, 123, 124, 129, 133, 143, 147, 157, 158
 Cold Rail · 41, 42, 106, 113, 121, 128, 146, 189, 190, 191, 197, 198, 200
 Cold Resistor · 41, 42, 113, 128, 146, 190, 191, 192, 200, 201
 Cold Wheel Scanner · 41, 114, 129, 147, 191, 192, 198, 201, 202
 Dead Battery · 197
 Dead Resistor · 197
 Dead Wheel Scanner Resistor · 158, 198
 Differential · 15, 38
 Dragging Equipment · 19, 44, 45, 162, 164, 165
 Exception · 58, 107, 115, 116, 120, 122, 130, 131, 159, 162
 High-Load · 19, 45, 161
 Highrange Transducer Miscounts · 54, 55, 158, 192, 198
 Hotbox · 14, 113, 128, 146, 158, 162, 164, 165, 166
 Hotwheel · 19, 38, 46, 51, 52, 105, 108, 113, 114, 120, 123, 128, 129, 131, 146, 147, 163
 Integrity Failure · 193, 200
 Low Battery · 193
 Midrange Transducer Miscounts · 193
 No Approach Track · 172, 193
 Pyrometer Noise Filtered Rail · 193
 Pyrometer Noise Filtered Wheel · 194
 Pyrometer Saturation · 15, 236, 237
 Reverse Direction Detected · 194
 Short Train · 194
 Stuck Dragger During Train Passage · 199
 Stuck Dragger Pretrain · 199
 Stuck Dragger Recovered · 194
 Stuck High Load Detector Pretrain · 19, 199
 Stuck Wide Load Detector Pretrain · 20, 199
 Successive Cold Rails Exceeded · 41, 190, 200
 Successive Cold Resistors Exceeded · 41, 42, 191, 200
 Successive Cold Wheel Resistors Exceeded · 41, 192, 202

Successive Cold Wheels Exceeded · 41, 191, 201
Test Train · 195
Train Present on Restart · 202
Very Slow Train · 54, 55, 158, 175, 192, 195, 198, 237
Wide-Load · 20, 44, 45, 46, 161
Alarm Settings menu · 19, 35, 36, 37, 38, 39, 40, 41, 42, 106, 113, 114, 121, 128, 129, 131, 139, 146, 147, 189, 190, 191, 192, 197, 198, 200
alignment · 167, 168
ambient temperature · 15, 17, 19, 37, 38, 41, 47, 49, 54, 55, 107, 112, 114, 122, 127, 129, 139, 141, 145, 147, 158, 190
ancillary messages · 54, 158, 159, 160, 161, 165
Announce Axles option · 12, 54
Announce Car Identification option · 58, 162, 165
Announce Customer Name option · 57, 155
Announce Left-Right Alarm Reference option · 57, 162, 165
Announce Number of Cars option · 12, 57
Announce Power Off option · 56
Announce Slow Train option · 12, 56
Announce Speed option · 12, 54
Announce Temperature option · 55
Announce Train Arrival option · 57, 156
Announce Train Length option · 12, 55
antenna · 115, 130, 148
arrival message · 57, 156
attenuation plug · 209, 220, 222
autocalibration · 25, 49, 72, 73, 139, 141, 181, 205, 217, 219, 221, 222, 223, 225, 227, 230, 231
Auxiliary alarms · 19
Axle Alarm Summary · 115, 130
axle count · 12, 54, 158, 175, 176, 179, 192, 195, 198
axle number · 116, 131, 149
Axle Scanning · 14

B

ballast · 168
baseline resistor integrity · 113, 115, 128, 130, 141, 146, 148
battery charger · 169, 170, 171, 185
battery temperature probe · 169
baud rate · 28, 224, 229
bearing scanners · 7, 11, 15, 16, 19, 107, 112, 116, 122, 127, 131, 145, 175, 209, 213, 235
Broadcast Delay · 156

C

calibrated heat source · 25, 223, 224, 227, 228, 229, 231
Clear Event Log option · 74, 152, 206
clearance mode · 47
clearance type · 47
COM1 · 28, 65, 66, 81, 103, 218, 221, 224, 229, 247
COM3 · 27
COM4 · 81
COM5 · 247
COP resets · 140
correction factor · 17, 113, 115, 128, 130, 146, 148

D

Date and Time · 32, 107, 112, 122, 127, 139, 145
default setup parameters · 63, 64
Delete All Stored Train Data option · 74, 206
Dragger option · 19, 45
DTMF · 59, 63

E

Equipment Settings menu · 15, 19, 20, 31, 38, 39, 40, 43, 44, 45, 46, 47, 48, 49, 50, 51, 52, 58, 105, 106, 107, 108, 109, 114, 115, 116, 120, 121, 122, 123, 129, 130, 139, 140, 143, 147, 148, 149, 161, 162
error message · 58, 60
Event Log · 74, 75, 83, 99, 103, 152, 153, 206, 207, 208
Exception Detail report · 103, 120, 123, 124, 126, 132, 133, 135
Exception Summary report · 103, 120, 121, 123
Exceptions directory · 74, 120, 122, 127, 206
Excessive Alarms · 161, 164, 166

F

float voltage · 170, 171, 185, 193, 197
fuse block · 169, 170

G

Gate Distance option · 44, 50
gating transducers · 11, 12, 13, 14, 15, 17, 18, 50, 116, 131, 149, 172, 175, 176, 184, 192, 193, 195, 198, 237

H

heaters · 11, 47, 48, 233

K

keypad · 22

L

Lens Cleaning · 233

M

Main menu · 224, 227, 230, 231
Maintenance email list · 77
milepost/kilometer post · 34
modem · 224, 229
mounting plate · 214, 215, 216, 229, 233, 234

N

Network Menu · 25
Network Settings · 66

O

OLED · 22
optics · 227, 231, 233

P

Processor board · 21
pyrometer · 25, 223, 225, 230

R

Radio Inhibit · 70
Radio Test · 24, 68
Remote System Reset · 73
Replay train · 79
reports
 Abbreviated Exception Detail · 133
 AEI Diagnostic Detail · 143
 Event Log · 152
 Exception Detail · 123
 Exception Summary · 120
 System Status · 137
 Train Detail · 108
 Train Summary · 105

S

scanner cover · 213, 214, 216, 227, 231, 234
Security Menu · 80
serial interface · 224, 227, 230, 231
Setup menu · 30
shutters · 219, 222, 226, 227, 230, 231
Start Manual Train · 71
System Functions menu · 24, 68
system health menu · 23
System Status report · 137
system warning · 21

T

Track Designation · 67
Train Detail report · 108
Train Summary report · 105

U

Update Menu · 75

V

View maintenance statistics · 76

Vocabulary Test · 70

Volume Menu · 26

W

wayside enclosure · 227, 231

Web security settings · 78

web user interface · 83

wheel scanners · 213