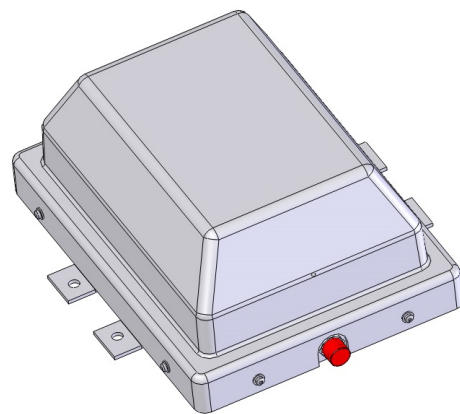


SP470-SF4P75SNF Panel directive, 6.5 dBd, 75° Horizontal beamwidth, 900-920 MHz

Also referred as: SRL470WB

- Compact panel antenna
- Discreet profile featuring a strong ABS radome
- 75 degree horizontal beamwidth

The SP470 series of panel antennas are compact radome-enclosed antennas that can be horizontally or vertically polarized. When mounted onto a support pipe, the antenna can be rotated to adjust for beam direction.



Region	United States	Europe, Middle East and Africa	Caribbean and Latin America	Canada and rest of the world
Telephone	USA: 1 800 263 3275	International: +44 (0) 1487 84 28 19	International: +1 905 726 7676	Canada: 1 800 263 3275 International: +1 905 727 0165
E-mail	salesusa@sinctech.com	salesuk@sinctech.com	salesla@sinctech.com	salescan@sinctech.com
Product Specification Sheet EPR 016688 Customer Tech Manual 005076		SP470-SF4P75SNF	Issue: 6	Dated: 06-05-16 Dated: 03-11-15

Electrical Specifications

Frequency Range	MHz	900 to 920	
Bandwidth	MHz	20	
Connector		N-Female	
Gain (nominal)	dBi (dBd)	8.6 (6.5)	
Input VSWR (max)		1.5:1	
Polarization		horizontal	
Impedance	Ω	50	
Pattern		Directional	
Horizontal beamwidth (typ)	degrees	75	*1
Vertical beamwidth (typ)	degrees	55	*2
Average Power Input (max)	W	100	
Lightning protection		DC ground	
Front-to-back ratio (typ)	dB	15	

Notes

- *1 : Vertically mounted; 55° when horizontally mounted.
- *2 : Vertically mounted; 75° when horizontally mounted.
- *3 : One Clamp166 kit, includes 2 clamps.

Mechanical Specifications

Width	mm (in)	279 (11)	
Depth	mm (in)	135 (5.3)	
Length/ Height	mm (in)	305 (12)	
Weight	kg (lbs)	1.45 (3.2)	
Mounting Hardware (Included)		Clamp166	*3
Actual shipping weight	kg (lbs)	4.54 (10)	
Shipping dimensions	mm (in)	305x1041x152 (12x41x6)	

Environmental Specifications

Temperature range	°C (°F)	-40 to +60 (-40 to +140)
Wind Loading Area (Flat Plate Equivalent)	m ² (ft ²)	0.09 (1)
Wind Loading Area (1/2" ice)	m ² (ft ²)	0.1 (1.1)
Rated wind velocity (no ice)	km/h (mph)	161 (100)
Rated wind velocity (1/2" radial ice)	km/h (mph)	137 (85)
Lateral thrust (100 mph No Ice)	N (lbs)	151.2 (34)
Torsional moment (100 mph No Ice)	Nm (ft-lbs)	5.4 (4)

Region	United States	Europe, Middle East and Africa	Caribbean and Latin America	Canada and rest of the world
Telephone	USA: 1 800 263 3275	International: +44 (0) 1487 84 28 19	International: +1 905 726 7676	Canada: 1 800 263 3275 International: +1 905 727 0165
E-mail	salesusa@sinctech.com	salesuk@sinctech.com	salesla@sinctech.com	salescan@sinctech.com